

**POWER - WHITE VERSION**

**SOCKET-OUTLETS - ITALIAN/GERMAN STANDARD**



GW 10 203

**ITALIAN STANDARD SOCKET-OUTLETS - 250V AC**

Code	Description	Socket-out type	For plug pins	No. Chorus modules	Pack Carton
GW 10 201	2P+E - 10A	P11	Ø 4 mm	1	12/96
GW 10 203	2P+E - 16 A Dual amperage	P11-P17	Ø 4 / 5 mm	1	12/96

CHARACTERISTICS: with safety shields.



GW 10 204

**ITALIAN/GERMAN STANDARD SOCKET-OUTLETS - 250V AC**

Code	Description	Earth pit	Socket-out type	For plug pins	No. Chorus modules	Pack Carton
GW 10 204	2P+E - 16 A Dual amperage	Side and central	P40	Ø 4 / 4.8 / 5 mm	2	6/48
GW 10 205	2P+E - 16A	Side and central	P30	Ø 4 / 4.8 mm	2	6/48

CHARACTERISTICS: with safety shields.



GW 10 208

**ITALIAN STANDARD DOUBLE SOCKET-OUTLET - 250V AC**

Code	Description	Socket-out type	For plug pins	No. Chorus modules	Pack Carton
GW 10 208	2x2P+E - 16A Dual amperage	P11-P17	Ø 4 / 5 mm	2	6/24

CHARACTERISTICS: with safety shields. The wiring is carried out via 3 terminals that power the socket-outlets, without using U-bolts.



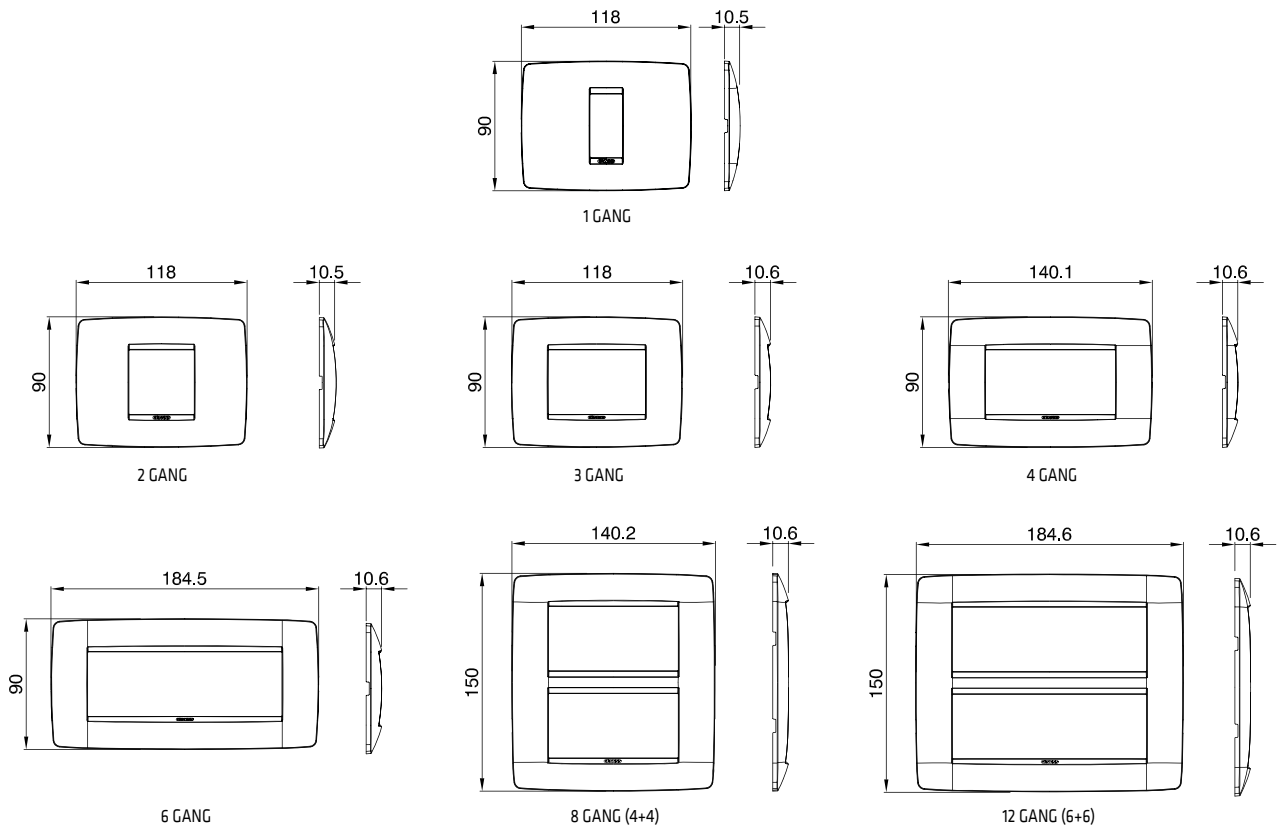
GW 10 209

**ITALIAN STANDARD TRIPLE SOCKET-OUTLET - 250V AC**

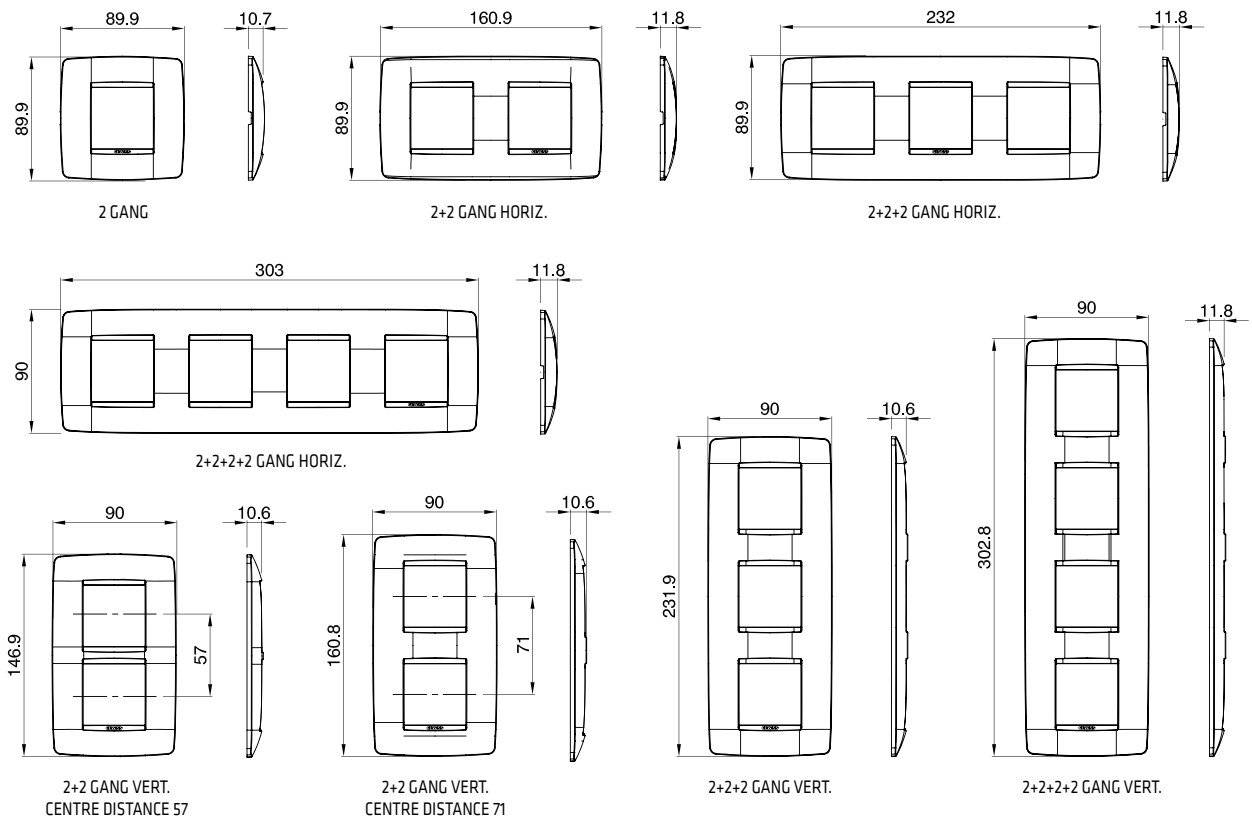
Code	Description	Socket-out type	For plug pins	No. Chorus modules	Pack Carton
GW 10 209	3x2P+E - 16A Dual amperage	P11-P17	Ø 4 / 5 mm	3	4/12

CHARACTERISTICS: with safety shields. The wiring is carried out via 3 terminals that power the socket-outlets, without using U-bolts.

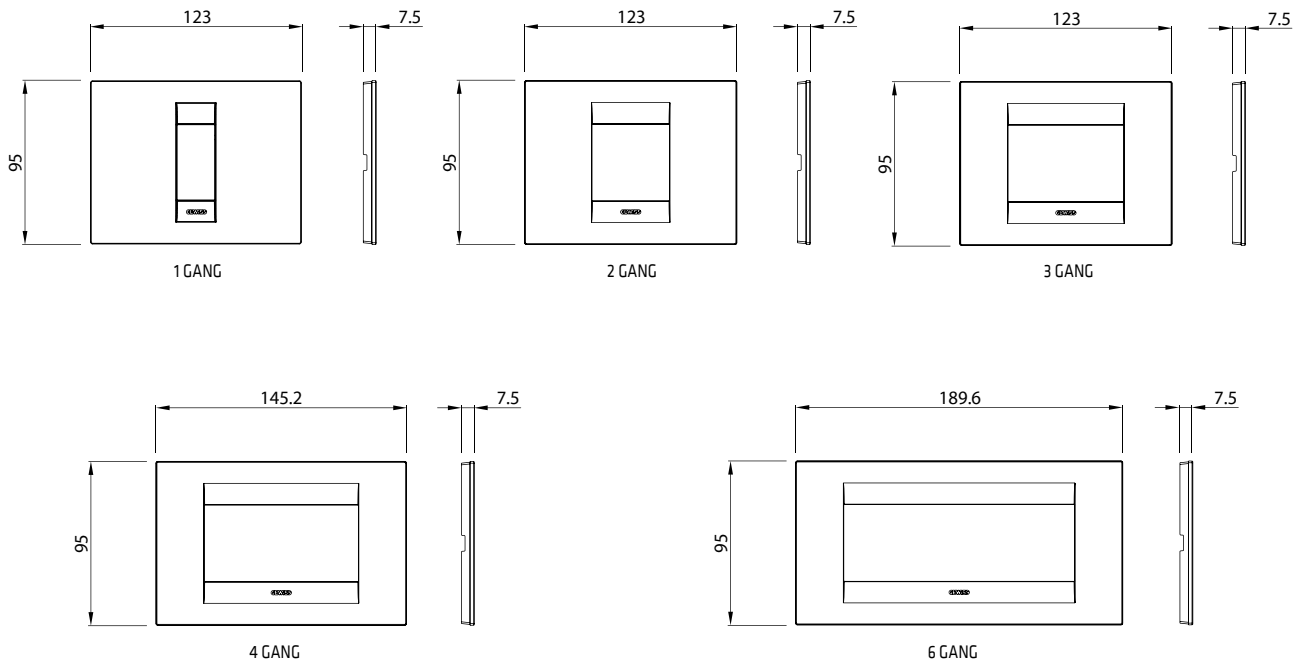
**ONE PLATES**



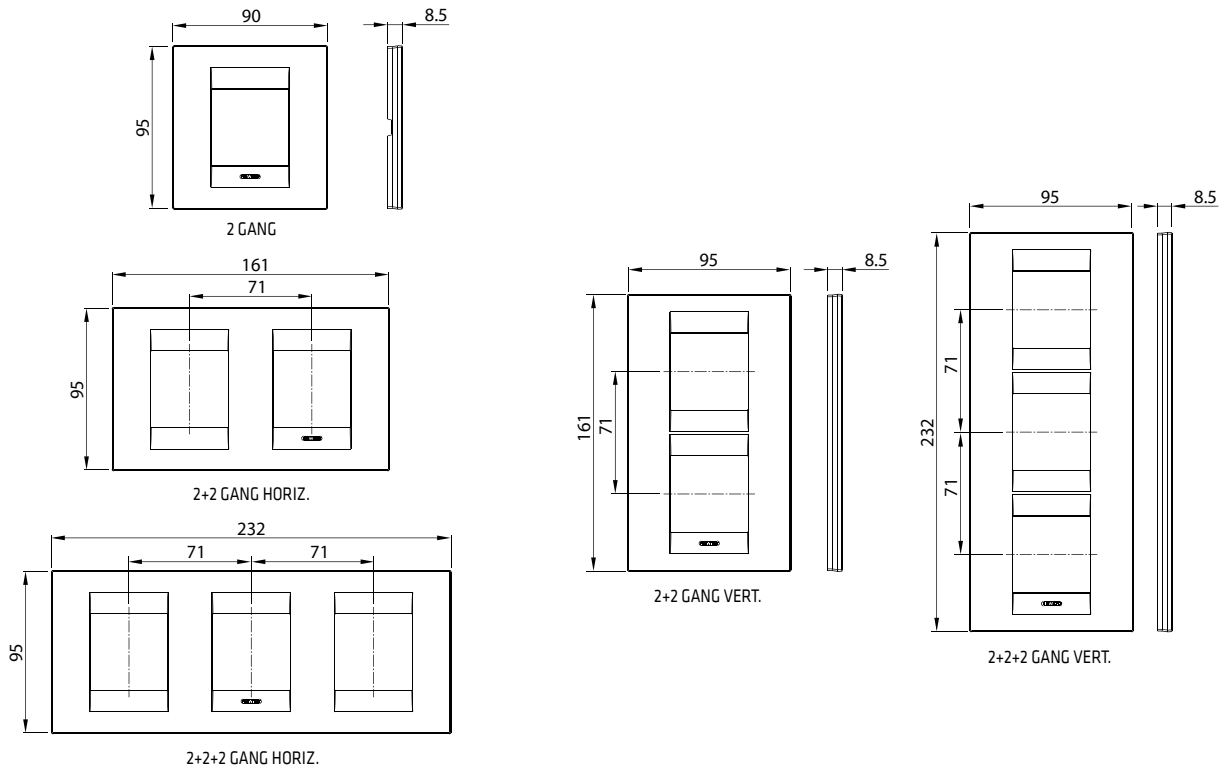
**ONE INTERNATIONAL PLATES**



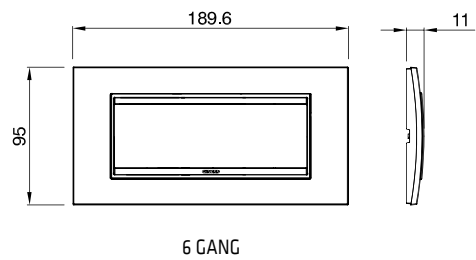
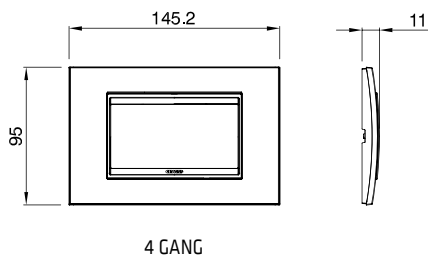
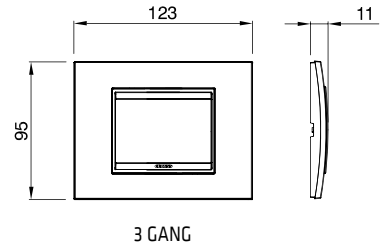
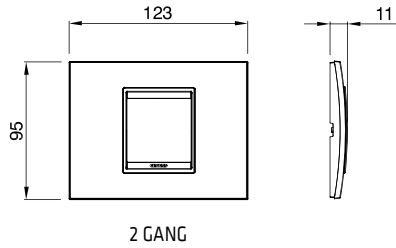
## GEO PLATES



## GEO INTERNATIONAL PLATES



**LUX PLATES**



DOMESTIC RANGES

**LUX INTERNATIONAL PLATES**

