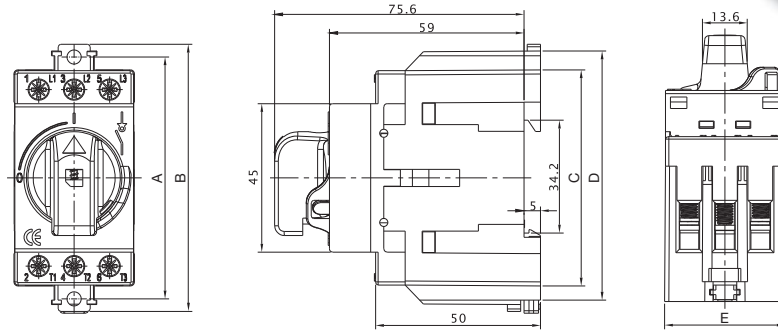


Înterupător separator modular cu zăvorâre prin lacăt, tip EVOMS

230/400 V AC **IP 20** 35x7.5 **Ta** -25..+55°C **U_i** 800 V OFF

Legendă pictograme **F/0**

TRACON	I _{th} (40 °C)	A (mm)	B (mm)	C (mm)	D (mm)	E (mm)	mm ²
EVOMS16/3	16A/3P						
EVOMS20/3	20A/3P						
EVOMS25/3	25A/3P	73,3	81	65,5	75,5	36,5	1,5-16
EVOMS40/3	40A/3P						
EVOMS80/3	80A/3P						
EVOMS100/3	100A/3P	88	97,5	76,5	93,5	52	25-50
EVOMS125/3	125A/3P						



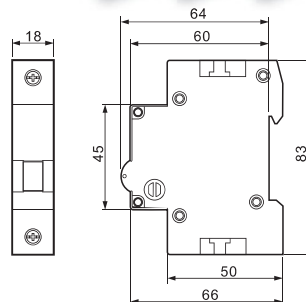
RELEVANT STANDARD
EN 60947-3

Lămpi de semnalizare modulare, tip EVOSLJL

P_m 0,8 VA **[h]** 20.000 **IP 20** **[mm²]** 1-25 35x7.5 **Ta** -25..+55°C

Legendă pictograme **F/0**

TRACON		U _n		L x D
SLJL-AC230-P	Red	230 V AC	× 1 LED	
SLJL-AC230-Z	Green	230 V AC	× 1 LED	
SLJL-AC230-S	Yellow	230 V AC	× 1 LED	
SLJL-AC230-F	White	230 V AC	× 1 LED	
SLJL-AC230-K	Blue	230 V AC	× 1 LED	
SLJL-AC24-P	Red	24 V AC	× 1 LED	
SLJL-AC24-Z	Green	24 V AC	× 1 LED	
SLJL-AC24-S	Yellow	24 V AC	× 1 LED	
SLJL-AC24-F	White	24 V AC	× 1 LED	
SLJL-AC24-K	Blue	24 V AC	× 1 LED	
SLJL-AC230-SZP	Red, Green, Yellow	3×230 V AC	× 3 LED	
SLJL-DC220-P	Red	220 V DC	× 1 LED	
SLJL-DC220-Z	Green	220 V DC	× 1 LED	
SLJL-DC220-S	Yellow	220 V DC	× 1 LED	
SLJL-DC220-F	White	220 V DC	× 1 LED	
SLJL-DC220-K	Blue	220 V DC	× 1 LED	
SLJL-DC24-P	Red	24 V DC	× 1 LED	
SLJL-DC24-Z	Green	24 V DC	× 1 LED	
SLJL-DC24-S	Yellow	24 V DC	× 1 LED	
SLJL-DC24-F	White	24 V DC	× 1 LED	
SLJL-DC24-K	Blue	24 V DC	× 1 LED	



RELEVANT STANDARD
EN 62094-1
EN 60947-5