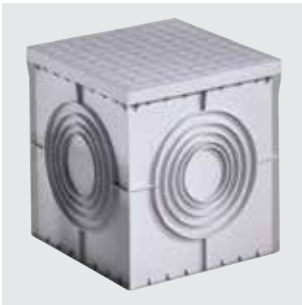


COVERS AND COMPONENTS

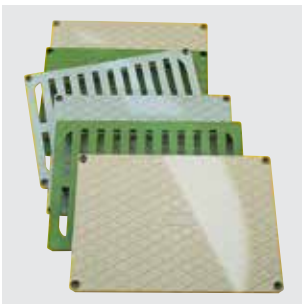
Code	Description	Characteristics	Colour	Pack Carton
DX 59 710	Closed cover	High resistance	Grey	1/5
DX 59 730	Closed cover	High resistance	Green	1/5
DX 59 711	Gridded cover	High resistance	Grey	1/5
DX 59 731	Gridded cover	High resistance	Green	1/5
DX 59 740	Separator plate			1/10
DX 59 751	Seal			1/10
DX 59 450	4 screws kit	Self-threading steel screws		1/50



DX 59 801

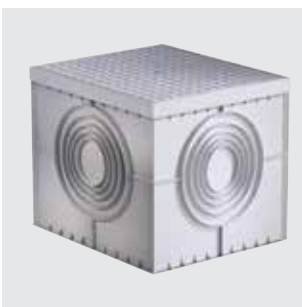
SQUARE ACCES CHAMBERS 400X400X400

Code	Characteristics	Colour	Pack Carton
DX 59 801	Flat knockout base and high resistance lid	Grey	1/18
DX 59 802	Flat semi-pierced base for boosting	Grey	1/18



COVERS AND COMPONENTS

Code	Description	Characteristics	Colour	Pack Carton
DX 59 810	Closed cover	High resistance	Grey	1/5
DX 59 830	Closed cover	High resistance	Green	1/5
DX 59 811	Gridded cover	High resistance	Grey	1/5
DX 59 831	Gridded cover	High resistance	Green	1/5
DX 59 840	Separator plate			1/10
DX 59 851	Seal			1/10
DX 59 452	4 screws kit	Self-threading steel screws		1/50
DX 59 453	Kit - central bolt for lifting			1/20



DX 59 901

SQUARE ACCES CHAMBERS 550X550X520

Code	Characteristics	Colour	Pack Carton
DX 59 901	Flat knockout base and high resistance lid	Grey	1/8
DX 59 902	Flat semi-pierced base for boosting	Grey	1/8



COVERS AND COMPONENTS

Code	Description	Characteristics	Colour	Pack Carton
DX 59 910	Closed cover	High resistance	Grey	1/5
DX 59 930	Closed cover	High resistance	Green	1/5
DX 59 911	Gridded cover	High resistance	Grey	1/5
DX 59 931	Gridded cover	High resistance	Green	1/5
DX 59 940	Separator plate			1/10
DX 59 951	Seal			1/10
DX 59 452	4 screws kit	Self-threading steel screws		1/50
DX 59 453	Kit - central bolt for lifting			1/20

PZ



A WIDE, PRACTICAL RANGE



A wide selection of square and rectangular electrical boxes, with the relative technical components. The rectangular electrical boxes can contain a double junction on the longer side, with the possibility to install longitudinal, transversal or diagonal dividers.

STACKABLE AND PRE-DRILLED HOLES



The sides of the access chambers are equipped with pre-drilled holes to simplify the installation of the cable ducts. The removable base allows the access chambers to be stacked and increase the installation depth and capacity.

HEAVY DUTY COVERS



Heavy duty covers can be secured with 4 self-threading stainless steel screws which guarantee greater safety and durability. The cover can be opened using a single tool.

THERMOPLASTIC ACCES CHAMBERS

Code: PZ

Colour: grey

Material: thermoplastic

Application field: especially suitable for containing cut-out systems and earth connections in electrical systems and buried telecommunications systems
Installation type: underground

Load resistance

Version	Dimensions	Breaking load* (kg/cm ²)
Square	200x200x200	7.4
Square	300x300x300	4.8
Square	400x400x400	2
Square	550x550x520	2.7
Rectangular	360x260x320	7.7

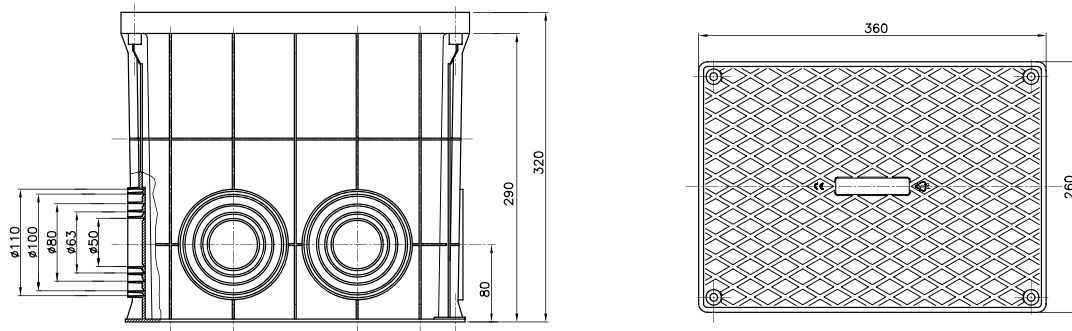
* The breaking load values refer to closed high-resistance covers.

Breaking load in accordance to UNI EN 124.

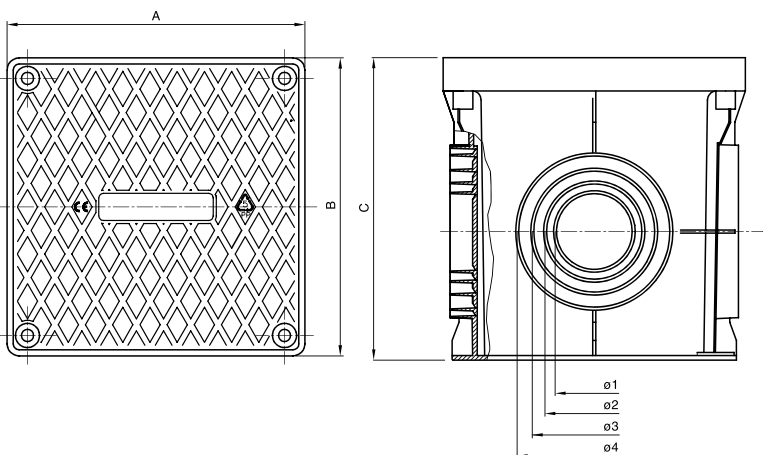
It is advisable to firmly anchor the electrical boxes to the ground. Prepare a concrete bed of at least 10cm and cover the rest with earth and cement, taking care to avoid height differences between the electrical box cover and the ground surface.

Dimension tables

RECTANGULAR ELECTRICAL BOXES - DX 59 501 - DX 59 502



SQUARE ELECTRICAL BOXES



Ø											
A	B	C	1	2	3	4	5	6	7	8	9
200	200	200	50	75	90	110					
300	300	300		75	90	110	125				
400	400	400				110	125	160	200	250	
550	550	520						160	200	250	315