

PZ

Access chamber systems

The range of PZ access chambers, available in 5 sizes, is ideal for junctions and manholes in electrical and telecommunication systems. These are provided with knockouts for cable ducts and knockouts base for stacking installation. Thanks to the thermoplastic material, knockouts for cable ducts and knockouts base for stacking installation, the PZ range is an efficient alternative to the access chambers made of concrete.



Technical characteristics page 1336

THERMOPLASTIC ACCES CHAMBERS

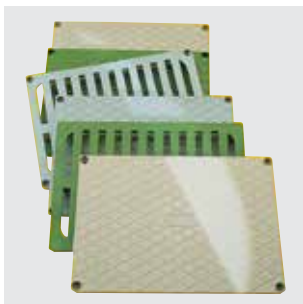
SQUARE ACCES CHAMBERS



DX 59 401

SQUARE ACCES CHAMBER 200X200X200

Code	Characteristics	Colour	Pack Carton
DX 59 401	Flat knockout base and high resistance lid	Grey	1/60
DX 59 402	Flat semi-pierced base for boosting	Grey	1/60



COVERS AND COMPONENTS

Code	Description	Characteristics	Colour	Pack Carton
DX 59 410	Closed cover	High resistance	Grey	1/5
DX 59 430	Closed cover	High resistance	Green	1/5
DX 59 411	Gridded cover	High resistance	Grey	1/5
DX 59 431	Gridded cover	High resistance	Green	1/5
DX 59 440	Separator plate			1/10
DX 59 451	Seal			1/10
DX 59 450	4 screws kit	Self-threading steel screws		1/50



DX 59 701

SQUARE ACCES CHAMBER 300X300X300

Code	Characteristics	Colour	Pack Carton
DX 59 701	Flat knockout base and high resistance lid	Grey	1/36
DX 59 702	Flat semi-pierced base for boosting	Grey	1/36

PZ



A WIDE, PRACTICAL RANGE



A wide selection of square and rectangular electrical boxes, with the relative technical components. The rectangular electrical boxes can contain a double junction on the longer side, with the possibility to install longitudinal, transversal or diagonal dividers.

STACKABLE AND PRE-DRILLED HOLES



The sides of the access chambers are equipped with pre-drilled holes to simplify the installation of the cable ducts. The removable base allows the access chambers to be stacked and increase the installation depth and capacity.

HEAVY DUTY COVERS



Heavy duty covers can be secured with 4 self-threading stainless steel screws which guarantee greater safety and durability. The cover can be opened using a single tool.

THERMOPLASTIC ACCES CHAMBERS

Code: PZ

Colour: grey

Material: thermoplastic

Application field: especially suitable for containing cut-out systems and earth connections in electrical systems and buried telecommunications systems
Installation type: underground

Load resistance

Version	Dimensions	Breaking load* (kg/cm ²)
Square	200x200x200	7.4
Square	300x300x300	4.8
Square	400x400x400	2
Square	550x550x520	2.7
Rectangular	360x260x320	7.7

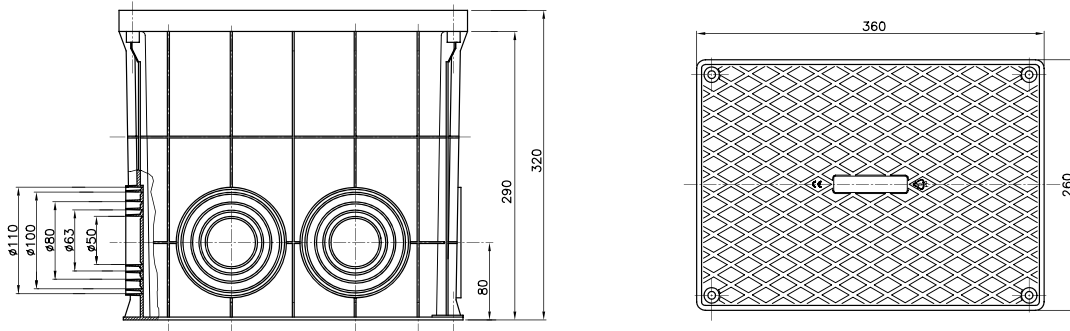
* The breaking load values refer to closed high-resistance covers.

Breaking load in accordance to UNI EN 124.

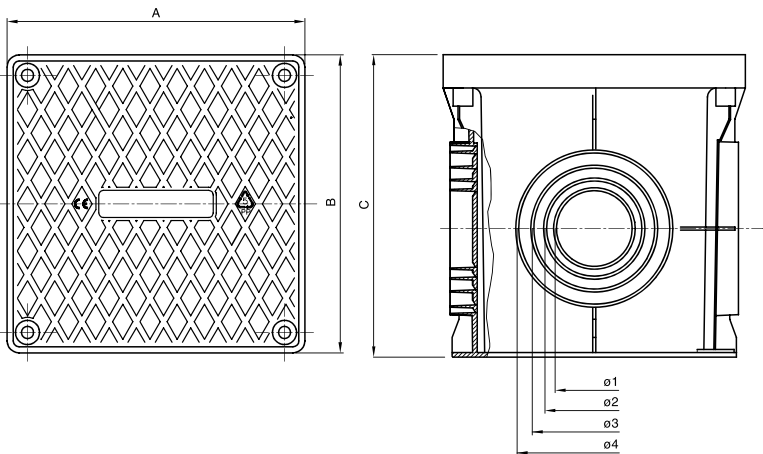
It is advisable to firmly anchor the electrical boxes to the ground. Prepare a concrete bed of at least 10cm and cover the rest with earth and cement, taking care to avoid height differences between the electrical box cover and the ground surface.

Dimension tables

RECTANGULAR ELECTRICAL BOXES - DX 59 501 - DX 59 502



SQUARE ELECTRICAL BOXES



Ø											
A	B	C	1	2	3	4	5	6	7	8	9
200	200	200	50	75	90	110					
300	300	300		75	90	110	125				
400	400	400				110	125	160	200	250	
550	550	520						160	200	250	315