



Relay and auxiliary devices for contactors

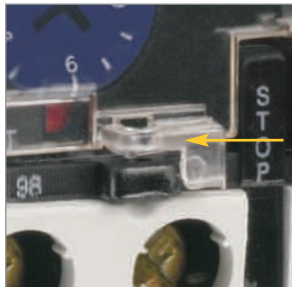
RTI thermal electrical relay

RTI thermal electrical relay is designed for protecting electric motors from overload, phase unbalance, overcrank condition and rotor jamming. It is installed directly onto KMI AC contactors. To ensure short-circuit protection, the unit should be supplied with fuses and modular circuit breakers intended for the correspondent value of rated actuating current.

Correspond to the requirements EN 60947-1, EN 60947-4-1, EN 60947-5-1.



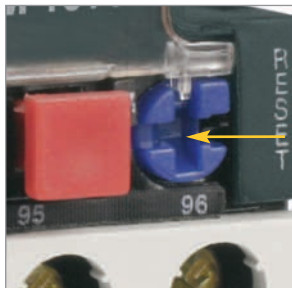
Design Features



Transparent cover sealing protecting the setting adjustment disk excludes unauthorized access to adjusting operation values of the setting current.



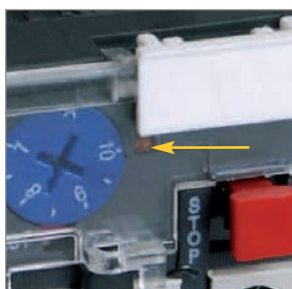
TEST button allows checking the unit's operability before connecting it to the power network.



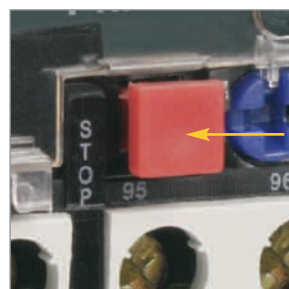
The process of subsequent power off can take place in two modes: manual and auto.



Surface for applying marking provides for making notes concerning the circuit correspondence that facilitates the mounting.



Current state of NO and NC contacts is displayed by the indicator located on the front panel.



Forced shutting down option.

Selection Guide

	Name	Size	Range of current setting adjustment, A	Types of contactors used with relay	
	RTI-1301	1	0,1÷0,16	KMI-10910, KMI-10911, KMI-11210, KMI-11211, KMI-11810, KMI-11811, KMI-22510, KMI-22511, KMIp-10910, KMIp-11210, KMIp-11810, KMIp-22510, PM12K-01615H, PM12-02510H	
	RTI-1302	1	0,16÷0,25		
	RTI-1303	1	0,25÷0,4		
	RTI-1304	1	0,4÷0,63		
	RTI-1305	1	0,63÷1,0		
	RTI-1306	1	1,0÷1,6		
	RTI-1307	1	1,6÷2,5		
	RTI-1308	1	2,5÷4,0		
	RTI-1310	1	4,0÷6,0		
	RTI-1312	1	5,5÷8,0		
	RTI-1314	1	7,0÷10,0		
	RTI-1316	1	9,0÷13,0		KMI-11210, KMI-11211, KMI-11810, KMI-11811, KMI-22510, KMI-22511, KMIp-11210, KMIp-11810, KMIp-22510, PM12K-01615H, PM12-02510H
	RTI-1321	1	12,0÷18,0		KMI-11810, KMI-11811, KMI-22510, KMI-22511, KMIp-11810, KMIp-22510, PM12K-01615H, PM12-02510H
RTI-1322	1	17,0÷25,0	KMI-22510, KMI-22511, KMIp-22510, PM12-02510H		
	RTI-2355	2	28,0÷36,0	KMI-23210, KMI-23211, KMIp-23210	
	RTI-3353	3	23,0÷32,0	KMI-34012, KMI-35012, KMI-46512, KMI-48012, KMI-49512, PM12K-04015H, PM12-063150	
	RTI-3355	3	30,0÷40,0		
	RTI-3357	3	37,0÷50,0		
	RTI-3359	3	48,0÷65,0		
	RTI-3361	3	55,0÷70,0		
	RTI-3363	3	63,0÷80,0		
	RTI-3365	3	80,0÷93,0		
	RTI-5369	5	55÷80	KTI-5115, KTI-5150, KTI-5185	
	RTI-5370	5	63÷90		
	RTI-5371	5	90÷120		
	RTI-5375	5	120÷150		
	RTI-5376	5	150÷180		
	RTI-6376	6	125÷200	KTI-5225, KTI-5265, KTI-5225, KTI-5330 KTI-6400	

Range

	Name	Relay setting range, A	Number and type of contacts	Package amount, pcs.	Product ID
	RTI-1301 thermal electrical 0,1-0,16 A IEK	0,1÷0,16	1NO+1NC	100	DRT10-D001-C016
	RTI-1302 thermal electrical 0,16-0,25 A IEK	0,16÷0,25	1NO+1NC	100	DRT10-C016-C025
	RTI-1303 thermal electrical 0,25-0,4 A IEK	0,25÷0,4	1NO+1NC	100	DRT10-C025-D004
	RTI-1304 thermal electrical 0,4-0,63 A IEK	0,4÷0,63	1NO+1NC	100	DRT10-D004-C063
	RTI-1305 thermal electrical 0,63-1,0 A IEK	0,63÷1,0	1NO+1NC	100	DRT10-C063-0001
	RTI-1306 thermal electrical 1-1,6 A IEK	1÷1,6	1NO+1NC	100	DRT10-0001-D016
	RTI-1307 thermal electrical 1,6-2,5 A IEK	1,6÷2,5	1NO+1NC	100	DRT10-D016-D025
	RTI-1308 thermal electrical 2,5-4,0 A IEK	2,5÷4,0	1NO+1NC	100	DRT10-D025-0004
	RTI-1310 thermal electrical 4-6 A IEK	4,0÷6,0	1NO+1NC	100	DRT10-0004-0006
	RTI-1312 thermal electrical 5,5-8 A IEK	5,5÷8	1NO+1NC	100	DRT10-D055-0008
	RTI-1314 thermal electrical 7-10 A IEK	7÷10	1NO+1NC	100	DRT10-0007-0010
	RTI-1316 thermal electrical 9-13 A IEK	9÷13	1NO+1NC	100	DRT10-0009-0013
RTI-1321 thermal electrical 12-18 A IEK	12÷18	1NO+1NC	100	DRT10-0012-0018	
RTI-1322 thermal electrical 17-25 A IEK	17÷25	1NO+1NC	100	DRT10-0017-0025	
	RTI-2355 thermal electrical 28-36 A IEK	28÷36	1NO+1NC	50	DRT20-0028-0036
	RTI-3353 thermal electrical 23-32 A IEK	23÷32	1NO+1NC	50	DRT30-0023-0032
	RTI-3355 thermal electrical 30-40 A IEK	30÷40	1NO+1NC	50	DRT30-0030-0040
	RTI-3357 thermal electrical 37-50 A IEK	37÷50	1NO+1NC	50	DRT30-0037-0050
	RTI-3359 thermal electrical 48-65 A IEK	48÷65	1NO+1NC	50	DRT30-0048-0065
	RTI-3361 thermal electrical 55-70 A IEK	55÷70	1NO+1NC	50	DRT30-0055-0070
	RTI-3363 thermal electrical 63-80 A IEK	63÷80	1NO+1NC	50	DRT30-0063-0080
RTI-3365 thermal electrical 80-93 A IEK	80÷93	1NO+1NC	50	DRT30-0080-0093	
	RTI-5369 thermal electrical 55-80 A IEK	55÷80	1NO+1NC	20	DRT50-0055-0080
	RTI-5370 thermal electrical 63-90 A IEK	63÷90	1NO+1NC	20	DRT50-0063-0090
	RTI-5371 thermal electrical 90-120 A IEK	90÷120	1NO+1NC	20	DRT50-0090-0120
	RTI-5375 thermal electrical 120-150 A IEK	120÷150	1NO+1NC	20	DRT50-0120-0150
	RTI-5376 thermal electrical 150-180 A IEK	150÷180	1NO+1NC	20	DRT50-0150-0180
	RTI-6376 thermal electrical 125-200 A IEK	125÷200	1NO+1NC	4	DRT60-0125-0200

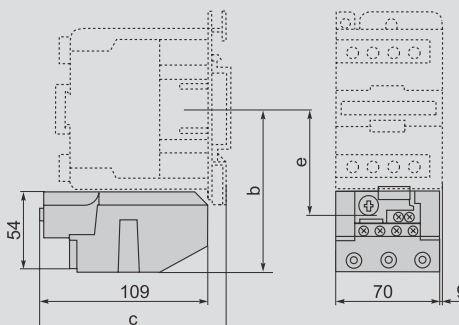
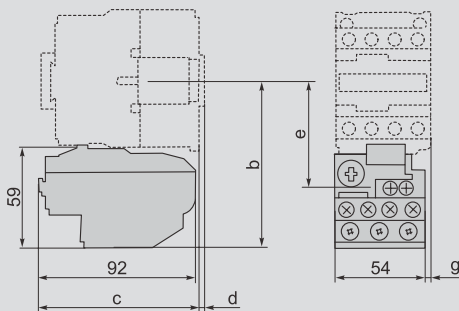
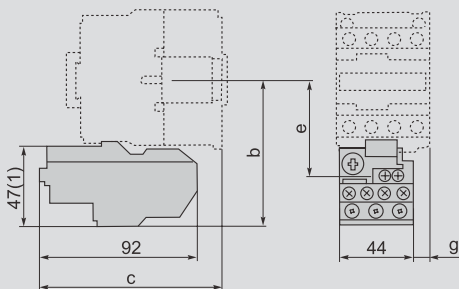
Technical features of power circuit

Features	RTI-1301...RTI-3353	RTI-3355...RTI-3365	RTI-5369...RTI-5376	RTI-5369...RTI-6376
Relay setting range, A	0,1÷32	30÷93	55÷200	55÷200
Rated operating voltage U_e , B~	230, 400, 660	230, 400, 660	230, 400, 660	230, 400, 660
Rated insulation voltage U_i , B	660	660	1000	1000
Rated impulse voltage U_{imp} , kB	6	6	8	8
Frequency, Hz	50	50	0-400	50
Cable size, mm ²	flexible cable without tip	1,5÷10	4÷35	
	flexible cable with tip	1÷4	4÷35	
	rigid cable	1÷6	4÷35	
Torque moment at screw tightening, N·m	2	9	15	28

Technical features of integrated auxiliary contacts

Features	RTI-1301...RTI-3353, RTI-3355...RTI-3365	RTI-5369...RTI-5376, RTI-5369...RTI-6376
Conventional thermal current I_{th} , A	5	5
Max. capacity of contactor coil connected to the integrated auxiliary contacts depending on the voltage, VA	110 V	400
	220 V	600
	380 V	600
Overcurrent protection - fuse gG, A	5	5
Cable size, mm ²	1÷2,5	1÷4
Torque moment at screw tightening, N·m	1,2	1,5

Overall and installation dimensions



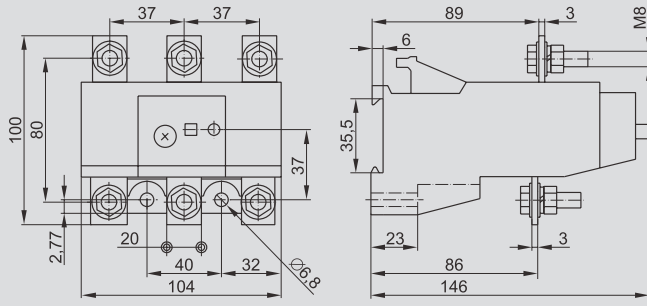
Relay type	Contactor type	Dimensions, mm			
		b	c	e	g
RTI-1301; RTI-1302 RTI-1303; RTI-1304 RTI-1305; RTI-1306 RTI-1307; RTI-1308 RTI-1310; RTI-1312 RTI-1314; RTI-1316 RTI-1321; RTI-1322	KMI-10910 KMI-10911	81	98	50	0
	KMI-11210 KMI-11211 KMI-11810 KMI-11811				
	KMI-22510 KMI-22511	86	108	55	10,7
	KMI-23210 KMI-23211	86	109	55	8,1

Relay type	Contactor type	Dimensions, mm			
		b	c	e	g
RTI-2355	KMI-23210 KMI-23211	97,5	98	60	0,5

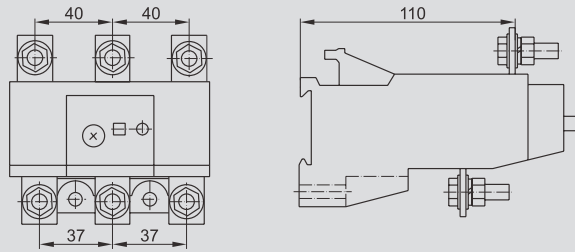
Relay type	Contactor type	Dimensions, mm			
		b	c	e	g
RTI-3353; RTI-3355 RTI-3357; RTI-3359 RTI-3361; RTI-3363 RTI-3365	KMI-34012	111	119	72,4	4,5
	KMI-35012	111	119	72,4	4,5
	KMI-46512	111	119	72,4	4,5
	KMI-48012	115,5	124	76,9	9,5
	KMI-49512	115,5	124	76,9	9,5



RTI-5369, RTI-5370, RTI-5371, RTI-5375, RTI-5376, var. 1



RTI-5369, RTI-5370, RTI-5371, RTI-5375, RTI-5376, var. 2



RTI-6376

