

METAL ENCLOSURES

▶ wall mounted

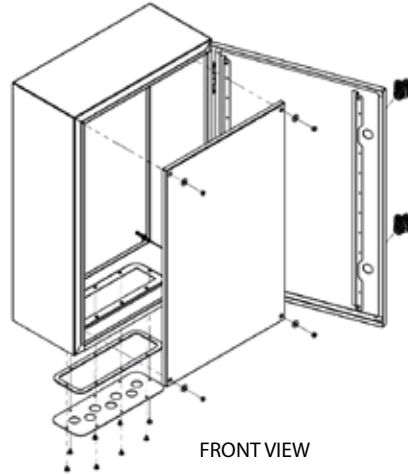


Technical Characteristic

- Color, RAL 7035 Grey
- Thickness 0,80 mm
- IP 54
- Included Galvanized Mounting Plate
- For Indoor Use
- Bottom Flash (Gland) Plate
- Hidden Hinges
- Foamed In door Gastet

Metal Enclosure

| Code | Dimension (WxHxD) | Pack |
|--------------|----------------------|------|
| CP 202515 K | 200x250x150 | 1 |
| CP 203015 K | 200x300x150 | 1 |
| CP 253015 K | 250x300x150 | 1 |
| CP 303015 K | 300x300x150 | 1 |
| CP 303020 K | 300x300x200 | 1 |
| CP 303515 K | 300x350x150 | 1 |
| CP 303520 K | 300x350x200 | 1 |
| CP 304015 K | 300x400x150 | 1 |
| CP 304020 K | 300x400x200 | 1 |
| CP 304025 K | 300x400x250 | 1 |
| CP 354515 K | 350x450x150 | 1 |
| CP 354520 K | 350x450x200 | 1 |
| CP 354525 K | 350x450x250 | 1 |
| CP 405020 K | 400x500x200 | 1 |
| CP 405025 K | 400x500x250 | 1 |
| CP 406020 K | 400x600x200 | 1 |
| CP 406025 K | 400x600x250 | 1 |
| CP 406030 K | 400x600x300 | 1 |
| CP 506020 K | 500x600x200 | 1 |
| CP 506025 K | 500x600x250 | 1 |
| CP 506030 K | 500x600x300 | 1 |
| CP 507020 K | 500x700x200 | 1 |
| CP 507025 K | 500x700x250 | 1 |
| CP 507030 K | 500x700x300 | 1 |
| CP 607020 K | 600x700x200 | 1 |
| CP 607025 K | 600x700x250 | 1 |
| CP 607030 K | 600x700x300 | 1 |
| CP 608020 K | 600x800x200 | 1 |
| CP 608025 K | 600x800x250 | 1 |
| CP 608030 K | 600x800x300 | 1 |
| CP 609020 K | 600x900x200 | 1 |
| CP 609025 K | 600x900x250 | 1 |
| CP 609030 K | 600x900x300 | 1 |
| CP 6010020 K | 600x1000x200 | 1 |
| CP 6010025 K | 600x1000x250 | 1 |
| CP 6010030 K | 600x1000x300 | 1 |

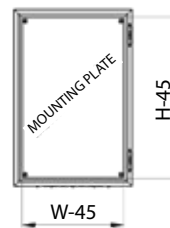


High IP protection with liquid casted polyurethane seal application on covers.

FRONT VIEW



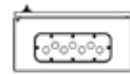
INSIDE VIEW



SIDE VIEW



BOTTOM VIEW



GÖRSELLER VE TEKNİK ÇİZİM GÜNCELLENDİ