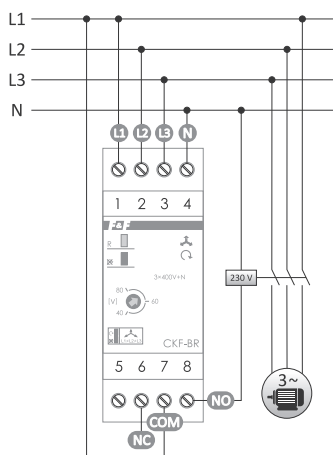


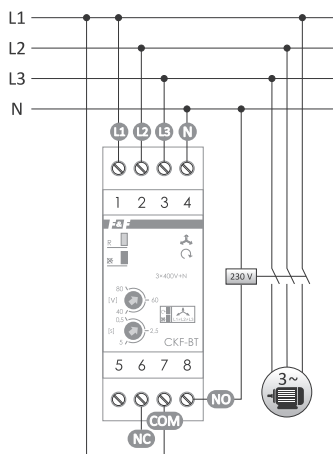
With an adjustable tripping threshold of voltage asymmetry

CKF-BR separated contact 1×NO/NC, adjustable asymmetry



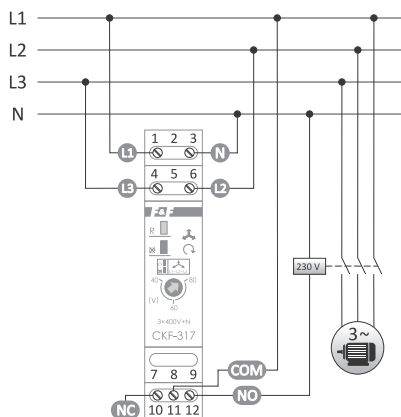
| | |
|--|--|
| power supply | 3×400 V+N |
| contact | separated 1×NO/NC |
| maximum load current (AC-1) | 16 A |
| indication of the correct power supply | 2×LED |
| minimum phase voltage | 150 V |
| maximum phase voltage | 280 V |
| effective voltage unbalance | 40÷80 V |
| voltage hysteresis | 5 V |
| switching OFF delay | 4 s |
| power consumption | 1.6 W |
| working temperature | -25÷40°C |
| terminal | 2.5 mm ² screw terminals (cord) 4.0 mm ² screw terminals (wire) |
| tightening torque | 0.5 Nm |
| dimensions | 2 modules (35 mm) |
| installation | for TH-35 rail |
| protection level | IP20 |

CKF-BT separated contact 1×NO/NC, adjustable asymmetry and off delay



| | |
|--|--|
| power supply | 3×400 V+N |
| contact | separated 1×NO/NC |
| maximum load current (AC-1) | 16 A |
| indication of the correct power supply | 2×LED |
| minimum phase voltage | 150 V |
| maximum phase voltage | 280 V |
| effective voltage unbalance | 40÷80 V |
| voltage hysteresis | 5 V |
| switching OFF delay | 1-10 s |
| power consumption | 1.6 W |
| working temperature | -25÷40°C |
| terminal | 2.5 mm ² screw terminals (cord) 4.0 mm ² screw terminals (wire) |
| tightening torque | 0.5 Nm |
| dimensions | 2 modules (35 mm) |
| installation | for TH-35 rail |
| protection level | IP20 |

CKF-317 1-module housing, separated contact 1×NO/NC, adjustable asymmetry



| | |
|--|--|
| power supply | 3×400 V+N |
| contact | separated 1×NO/NC |
| maximum load current (AC-1) | 8 A |
| indication of the correct power supply | 2×LED |
| minimum phase voltage | 150 V |
| maximum phase voltage | 280 V |
| effective voltage unbalance | 40÷80 V |
| voltage hysteresis | 5 V |
| switching OFF delay | 4 s |
| power consumption | 1.6 W |
| working temperature | -25÷40°C |
| terminal | 2.5 mm ² screw terminals (cord/wire) |
| tightening torque | 0.4 Nm |
| dimensions | 1 module (18 mm) |
| installation | for TH-35 rail |
| protection level | IP20 |