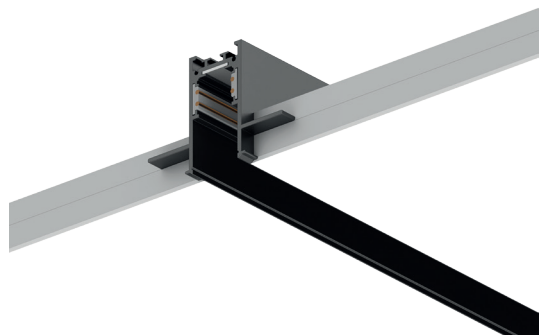


NEW



BY41-00111  
RC01-1M Black  
Output 48VDC  
Input 48VAC  
IP20 Aluminium



BY41-00121  
RC01-2M Black  
Output 48VDC  
Input 48VAC  
IP20 Aluminium



NEW



BY41-00211  
SR01-1M Black  
Output 48VDC  
Input 48VAC  
IP20 Aluminium



BY41-00221  
SR01-2M Black  
Output 48VDC  
Input 48VAC  
IP20 Aluminium



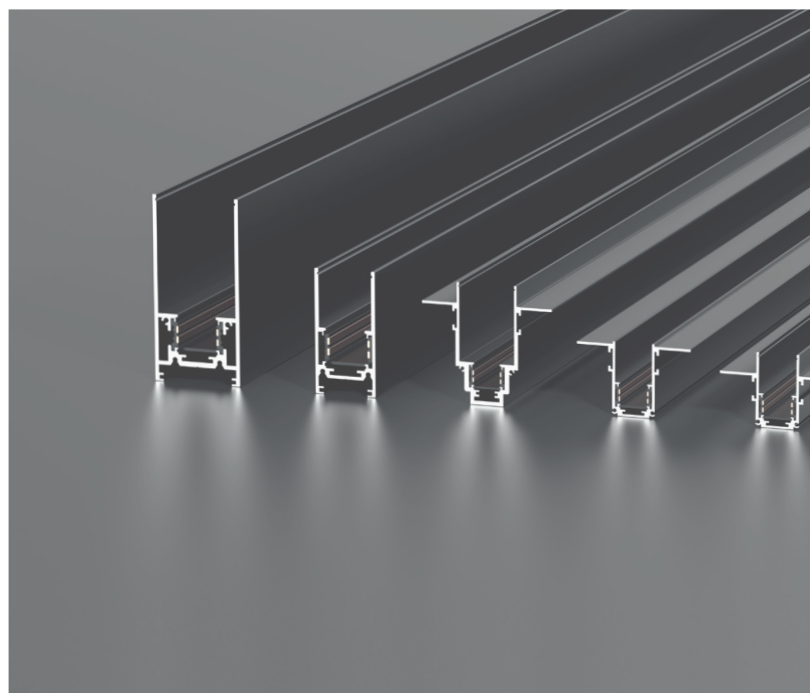
NEW



BY41-00311  
SR11-1M Black  
Output 48VDC  
Input 48VAC  
IP20 Aluminium



BY41-00321  
SR11-2M Black  
Output 48VDC  
Input 48VAC  
IP20 Aluminium



\*Technical information indicated above may have tolerance  $\pm 10\%$ . For final updated information please visit website [www.braytron.com](http://www.braytron.com)