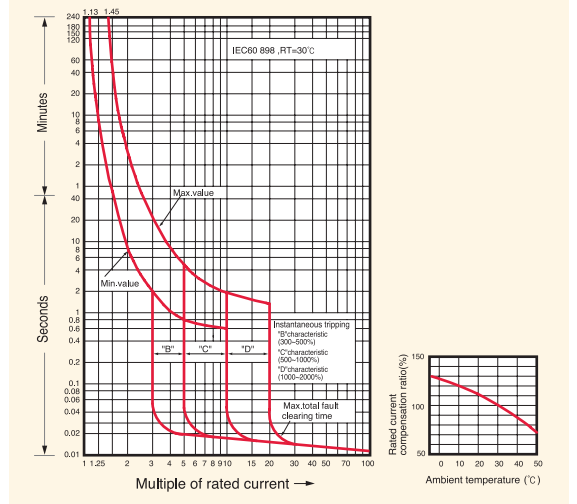
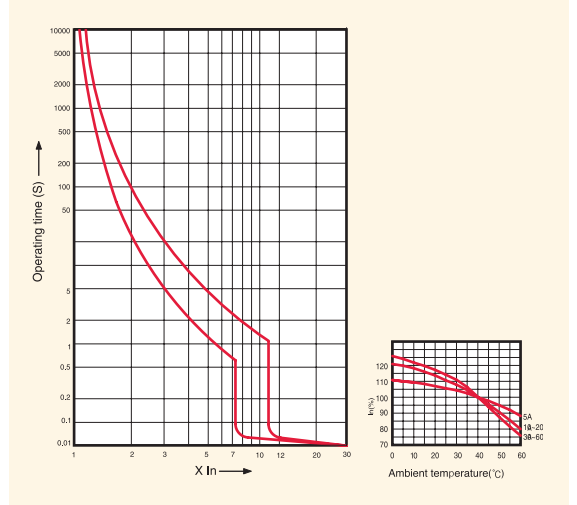


MCB						
BKH		BKP	BF-a	BF-c	BFN	
Overload and short circuit		Overload and short circuit	Overload and short circuit	Overload and short circuit	Overload and short circuit	
63, 80, 100, 125A		3, 6, 10, 16, 20, 25, 32A	10~100A		5, 10, 15, 20, 30, 40, 50A	
C, D curve		B, C, D curve				
1p, 2p, 3p, 3p+N, 4p		1p+N	1P, 2P, 3P		1P, 2P, 3P	
1pole	2~4pole				1pole	2~3pole
63A~125A 10kA at 230/400 VAC	63A~125A 10kA at 400VAC	3A~32A 4.5kA at 230VAC (NF: 3kA)	10A~100A 10kA at 240VAC 2.5kA at 415VAC	10A~100A 5kA at 240VAC 2.5kA at 415VAC	5A~50A 10kA at 230VAC	5A~50A 10kA at 400VAC
IEC 60947-2		IEC 60898	IEC 60947-2		IEC 60947-2	
CCC, SEMKO CB, SABS, CE		CCC, SEMKO CB, NFSABS, CE			SEMKO CB, CE	
Thermal magnetic release		Thermal magnetic release	Thermal magnetic release	Thermal magnetic release	Thermal magnetic release	
1,500 operations		4,000 operations	1,500 operations	1,500 operations	1,500 operations	
10,000 operations		10,000 operations	10,000 operations	10,000 operations	10,000 operations	
On 35mm DIN rail		On 35mm DIN rail	Holder mounting (Bolt on with fixing brackets)	Plug-in		
27mm per pole		17.8mm per pole	25mm per pole	25mm per pole		
Lug type(cable up to 50mm ²)		Lug type(cable up to 10mm ²)	Clamp type	Lug type (14-6 AWG.)		
See drawing 3		See drawing 4	See drawing 5	See drawing 6		
See curve 1		See curve 1	-	See curve 2		

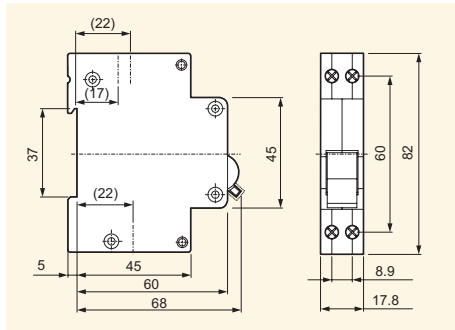
Curve 1 : Type BKN, BKN-b, BKN-c, BKH, BKP, RKP, RKS



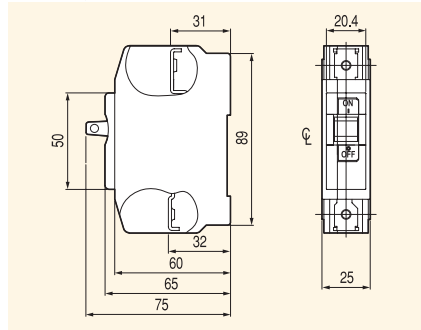
Curve 2 : Type BFN



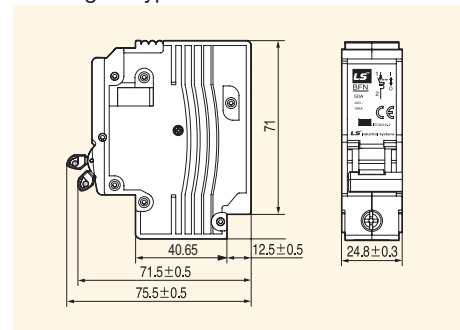
Drawing 4 : Type BKP



Drawing 5 : Type BF-a, BF-c



Drawing 6 : Type BFN



Miniature circuit breakers

DIN rail mounting

CE 4500

BKP type



BKP 1P+N

Certificate
CE

Technical data

Standard	Confirming to IEC60898
Approval	CCC, CQC CB
Protection	Overload and short circuit
Rated current I_n	3, 6, 10, 16, 20, 25, 32A
Rated voltage	230VAC
Breaking capacity	4.5kA
Characteristic	B, C, D curve
Number of poles	1P+N
Type of trip	Thermal magnetic release
Type of terminal	Lug type
Terminal capacity	Cables up to 10mm ²
Installation	Mounting on 35mm DIN rail
Width	17.8mm per pole
Electrical endurance	20000 cycles

Catalog No.

Pole	Type	I_n	Model	Catalog No.	Pack. unit (Pcs.)	PRICE
1P+N	B curve	3A	BKP B3A	06120302R0	120	
		6A	BKP B6A	06120228R0	120	
		10A	BKP B10A	06120229R0	120	
		16A	BKP B16A	06120230R0	120	
		20A	BKP B20A	06120231R0	120	
		25A	BKP B25A	06120303R0	120	
	C curve	32A	BKP B32A	06120232R0	120	
		3A	BKP C3A	06120307R0	120	
		6A	BKP C6A	06120235R0	120	
		10A	BKP C10A	06120236R0	120	
		16A	BKP C16A	06120237R0	120	
		20A	BKP C20A	06120238R0	120	
	D curve	25A	BKP C25A	06120309R0	120	
		32A	BKP C32A	06120239R0	120	
		3A	BKP D3A	06120308R0	120	
		6A	BKP D6A	06120242R0	120	
		10A	BKP D10A	06120243R0	120	
		16A	BKP D16A	06120244R0	120	
		20A	BKP D20A	06120245R0	120	
		25A	BKP D25A	06120311R0	120	
		32A	BKP D32A	06120246R0	120	