

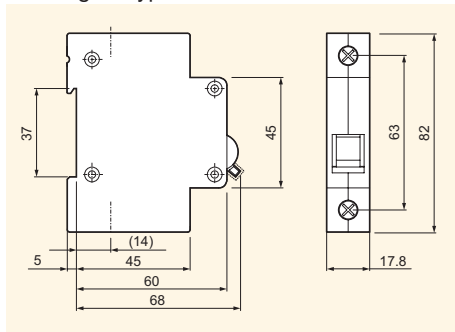


Miniature circuit breakers

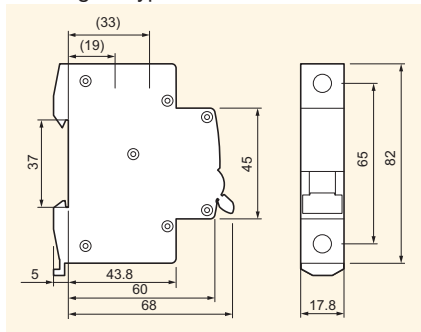
1, 2, 3 and 4 pole series up to 125AF

Type	MCB			
	BKN	BKN-c	BKN-b	
Protection	Overload and short circuit		Overload and short circuit	
Rated current	1, 2, 3, 4, 6, 10, 16, 20, 25, 32, 40, 50, 63A		1, 2, 3, 4, 6, 10, 16, 20, 25, 32, 40, 50, 63A	
Characteristic	B, C, D curve	B, C curve	B, C, D curve	
Poles	1p, 1p+N, 2p, 3p, 3p+N, 4p	1P, 2P, 3P, 4P	1p, 1p+N, 2p, 3p, 3p+N, 4p	
Breaking capacity	1pole	2~4pole	1pole	2~4pole
	1A~63A 6kA at 230/400VAC (NF: 4.5kA)	1A~63A 6kA at 400VAC	1A~63A 10kA at 240/415VAC	1A~63A 10kA at 415VAC
Standard	IEC 60898		IEC 60898	
Approval	CCC, SABS, SEMKO CB, NF	SEMKO CB	KEMA CB, SABS, UL 1077 †, CE	
Type of trip	Thermal magnetic release		Thermal magnetic release	
Endurance	Electrical	4,000 operations	4,000 operations	
	Mechanical	10,000 operations	10,000 operations	
Mount	On 35mm DIN rail		On 35mm DIN rail	
Width	17.8mm per pole		17.8mm per pole	
Terminal	Lug type(cable up to 25mm ²)	Dual type(Lug & Screw)	Lug type(cable up to 25mm ²)	
Auxiliary switch, AX Optional	 <p>1 changeover contact 6A at 240VAC, 3A at 415VAC(AX) 6A at 230VAC, 3A at 415VAC(AL) 2A at 48VDC, 1A at 125VDC</p> <p>Lug terminal Cable capacity 2.5mm²</p> <p>9mm wide *Only for BKN</p>		 <p>1 changeover contact 6A at 240VAC, 3A at 415VAC(AX/AL) 6A at 24VDC, 2A at 48VDC, 1A at 130VDC</p> <p>Lug terminal Cable capacity 0.75~2.5mm²</p> <p>8.8mm wide</p>	
	Dimension	See drawing 1	See drawing 2	
Characteristic curve	See curve 1	See curve 1		

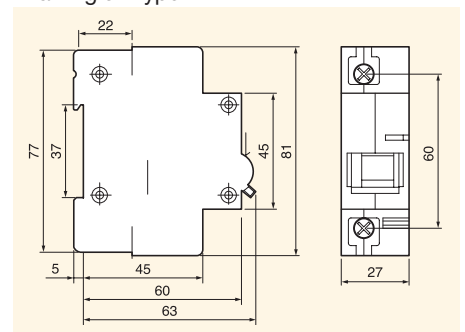
Drawing 1 : Type BKN & BKN-c

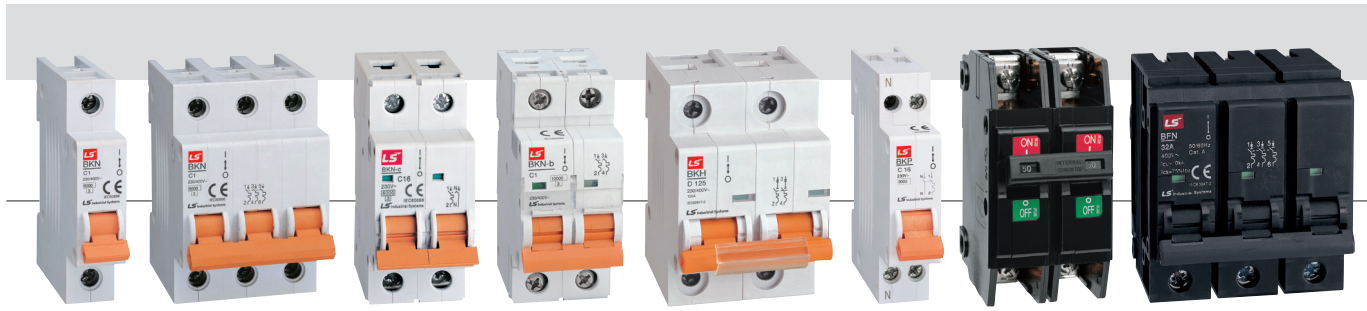


Drawing 2 : Type BKN-b



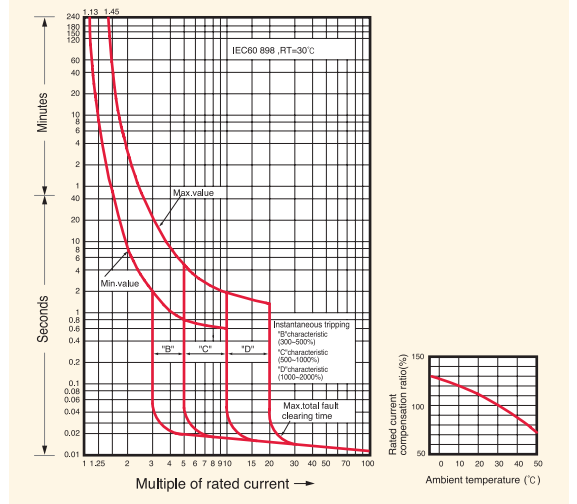
Drawing 3 : Type BKH



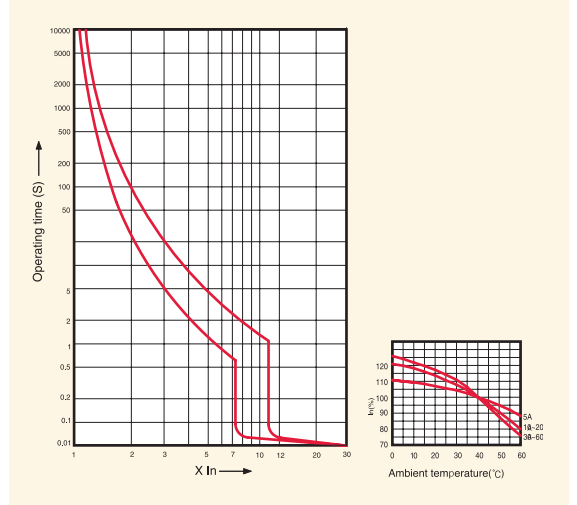


MCB					
BKH		BKP	BF-a	BF-c	BFN
Overload and short circuit		Overload and short circuit	Overload and short circuit	Overload and short circuit	Overload and short circuit
63, 80, 100, 125A		3, 6, 10, 16, 20, 25, 32A	10~100A		5, 10, 15, 20, 30, 40, 50A
C, D curve		B, C, D curve			
1p, 2p, 3p, 3p+N, 4p		1p+N	1P, 2P, 3P		1P, 2P, 3P
1pole	2~4pole				1pole
					2~3pole
63A~125A 10kA at 230/400 VAC	63A~125A 10kA at 400VAC	3A~32A 4.5kA at 230VAC (NF: 3kA)	10A~100A 10kA at 240VAC 2.5kA a 415VAC	10A~100A 5kA at 240VAC 2.5kA at 415VAC	5A~50A 10kA at 230VAC 5A~50A 10kA at 400VAC
IEC 60947-2		IEC 60898	IEC 60947-2		IEC 60947-2
CCC, SEMKO CB, SABS, CE		CCC, SEMKO CB, NFSABS, CE			SEMKO CB, CE
Thermal magnetic release		Thermal magnetic release	Thermal magnetic release	Thermal magnetic release	Thermal magnetic release
1,500 operations		4,000 operations	1,500 operations	1,500 operations	1,500 operations
10,000 operations		10,000 operations	10,000 operations	10,000 operations	10,000 operations
On 35mm DIN rail		On 35mm DIN rail	Holder mounting (Bolt on with fixing brackets)	Plug-in	
27mm per pole		17.8mm per pole	25mm per pole	25mm per pole	
Lug type(cable up to 50mm ²)		Lug type(cable up to 10mm ²)	Clamp type	Lug type (14-6 AWG.)	
See drawing 3		See drawing 4	See drawing 5	See drawing 6	
See curve 1		See curve 1	-	See curve 2	

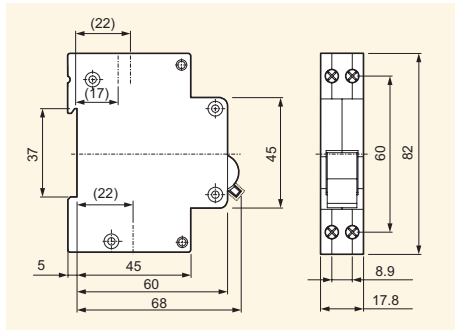
Curve 1 : Type BKN, BKN-b, BKN-c, BKH, BKP, RKP, RKS



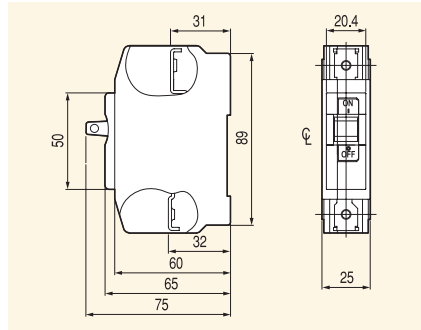
Curve 2 : Type BFN



Drawing 4 : Type BKP



Drawing 5 : Type BF-a, BF-c



Drawing 6 : Type BFN

