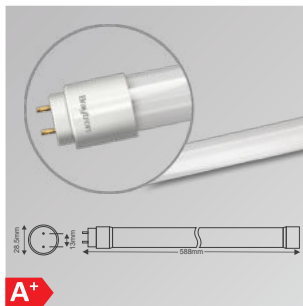
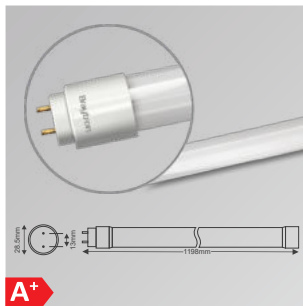
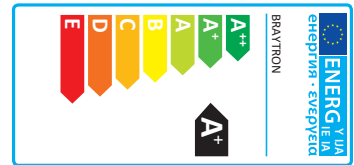


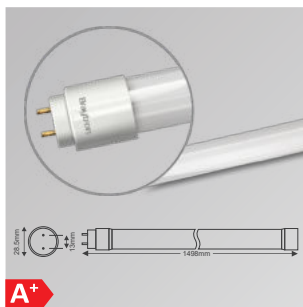
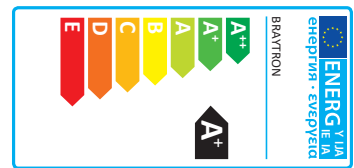
MODEL NO	TYPE	CONNECTION	SOCKET	CCT	WATT	LUMEN	VOLTAGE	CRI	P.F.	ANGLE	MATERIAL	PCS/CTN
BA52-01580	T8/1.5mt	Double Side	G13	3000K	24W	2400Lm	220V-240VAC	>80	>0.5	270°	Glass	25
BA52-01581	T8/1.5mt	Double Side	G13	4000K	24W	2400Lm	220V-240VAC	>80	>0.5	270°	Glass	25
BA52-01583	T8/1.5mt	Double Side	G13	6500K	24W	2400Lm	220V-240VAC	>80	>0.5	270°	Glass	25



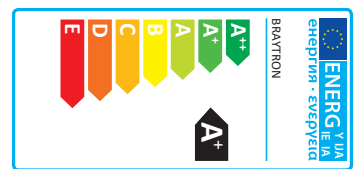
MODEL NO	TYPE	CONNECTION	SOCKET	CCT	WATT	LUMEN	VOLTAGE	CRI	P.F.	ANGLE	MATERIAL	PCS/CTN
BA52-20680	T8/0.6mt	Single Side	G13	3000K	9W	900Lm	220V-240VAC	>80	>0.5	270°	Glass	25
BA52-20681	T8/0.6mt	Single Side	G13	4000K	9W	900Lm	220V-240VAC	>80	>0.5	270°	Glass	25
BA52-20683	T8/0.6mt	Single Side	G13	6500K	9W	900Lm	220V-240VAC	>80	>0.5	270°	Glass	25



MODEL NO	TYPE	CONNECTION	SOCKET	CCT	WATT	LUMEN	VOLTAGE	CRI	P.F.	ANGLE	MATERIAL	PCS/CTN
BA52-21280	T8/1.2mt	Single Side	G13	3000K	18W	1800Lm	220V-240VAC	>80	>0.5	270°	Glass	25
BA52-21281	T8/1.2mt	Single Side	G13	4000K	18W	1800Lm	220V-240VAC	>80	>0.5	270°	Glass	25
BA52-21283	T8/1.2mt	Single Side	G13	6500K	18W	1800Lm	220V-240VAC	>80	>0.5	270°	Glass	25



MODEL NO	TYPE	CONNECTION	SOCKET	CCT	WATT	LUMEN	VOLTAGE	CRI	P.F.	ANGLE	MATERIAL	PCS/CTN
BA52-21580	T8/1.5mt	Single Side	G13	3000K	24W	2400Lm	220V-240VAC	>80	>0.5	270°	Glass	25
BA52-21581	T8/1.5mt	Single Side	G13	4000K	24W	2400Lm	220V-240VAC	>80	>0.5	270°	Glass	25
BA52-21583	T8/1.5mt	Single Side	G13	6500K	24W	2400Lm	220V-240VAC	>80	>0.5	270°	Glass	25



\*Technical information indicated above may have tolerance ±%10. For final updated information please visit website [www.braytron.com](http://www.braytron.com)