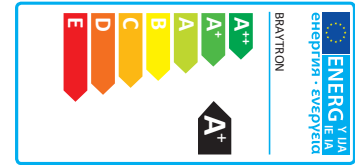
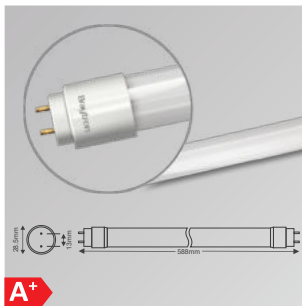
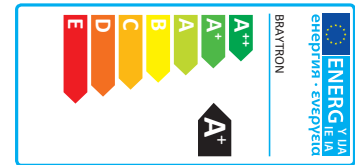




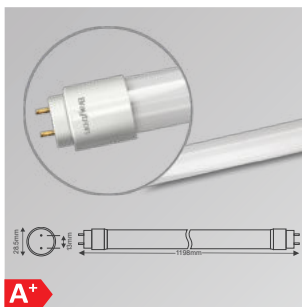
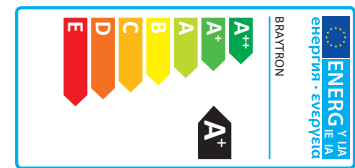
MODEL NO	TYPE	SOCKET	CCT	WATT	EQUIVALENT	LUMEN	VOLTAGE	CRI	P.F.	ANGLE	MATERIAL	PCS/CTN
BB48-00620	G125-Amber	E27	2200K	6W	42W	510Lm	220V-240VAC	>80	>0.5	360°	Glass	20



MODEL NO	TYPE	SOCKET	CCT	WATT	EQUIVALENT	LUMEN	VOLTAGE	CRI	P.F.	ANGLE	MATERIAL	PCS/CTN
BB62-60620	T30-200-Dimmable	E27	2200K	6W	42W	510Lm	220V-240VAC	>80	>0.5	360°	Glass	50



MODEL NO	TYPE	CONNECTION	SOCKET	CCT	WATT	LUMEN	VOLTAGE	CRI	P.F.	ANGLE	MATERIAL	PCS/CTN
BA52-00680	T8/0.6mt	Double Side	G13	3000K	9W	900Lm	220V-240VAC	>80	>0.5	270°	Glass	25
BA52-00681	T8/0.6mt	Double Side	G13	4000K	9W	900Lm	220V-240VAC	>80	>0.5	270°	Glass	25
BA52-00683	T8/0.6mt	Double Side	G13	6500K	9W	900Lm	220V-240VAC	>80	>0.5	270°	Glass	25



MODEL NO	TYPE	CONNECTION	SOCKET	CCT	WATT	LUMEN	VOLTAGE	CRI	P.F.	ANGLE	MATERIAL	PCS/CTN
BA52-01280	T8/1.2mt	Double Side	G13	3000K	18W	1800Lm	220V-240VAC	>80	>0.5	270°	Glass	25
BA52-01281	T8/1.2mt	Double Side	G13	4000K	18W	1800Lm	220V-240VAC	>80	>0.5	270°	Glass	25
BA52-01283	T8/1.2mt	Double Side	G13	6500K	18W	1800Lm	220V-240VAC	>80	>0.5	270°	Glass	25



*Technical information indicated above may have tolerance ±%10. For final updated information please visit website www.braytron.com