



F&F Filipowski sp.k., ul. Konstytucyjna 79/81, 95-200 Pabianice, tel.: +48 (42) 214 90 37, e-mail: biuro@fif.com.pl, www.fif.com.pl



AZH-LED

Hermetic dusk-to-dawn sensor

Index: AZH-LED

The AZH-LED is a twilight switch with a built-in light sensor, enclosed in a hermetically sealed housing and specially adapted to switch on the LED lighting.



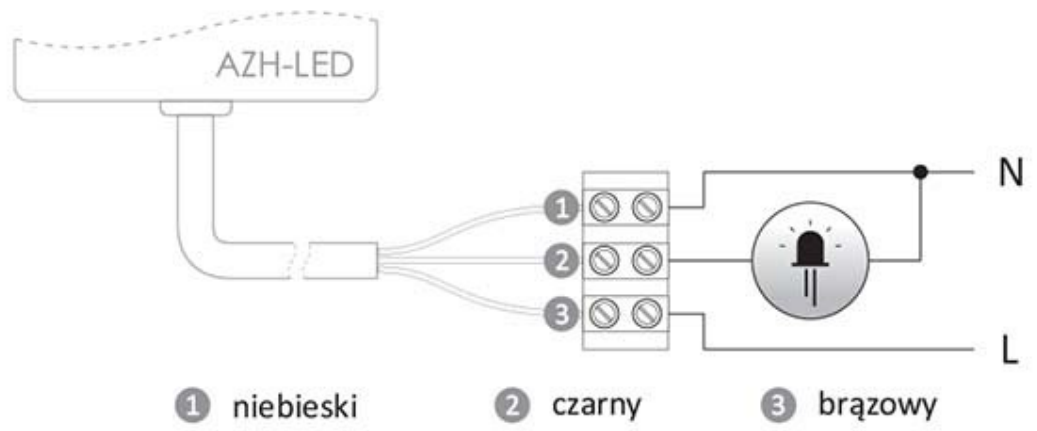
DESCRIPTION

By using a switching element that guarantees correct operation with current pulses up to 160 A and additional components responsible for surge suppression, the AZH-LED will successfully manage to switch on and off the LED lighting, despite its energy efficiency, generates strong current surges when switched on, effectively destroying classic relays.

Functioning

The twilight switch should be placed in a place with constant access to natural light, which by changing its intensity will cause the lighting to switch on and off. The time of switch-on of the lighting can be set by the user using the potentiometer. Rotation towards the "moon" – will switch on the lighting later, rotation towards the "sun" will switch it on earlier. The twilight switch has a system that delays switching on and off of the lighting, thus reducing the impact of various disturbances (such as atmospheric discharges) on the operation of the machine.

Schemat podłączenia



TECHNICAL DATA

Switch-off delay	20 s
Switching-on delay	10 s
Max. switching power	2500 W
Suitable for C-load	Tak
Halogen free	Tak
RAL-number (similar)	7035
Nominal voltage	230 V
Max. switching current (resistive load)	10 A
Engaging brightness	2-1000 lx
Switching-off brightness	2-1000 lx
Operating temperature	-25-50 °C
Type of sensor	Built-in light sensor
Contacts	1 make contact (NO)
Mounting method	Surface mounted
Material	Plastic
Material quality	Thermoplastic
Surface protection	Untreated
Colour	Grey
Suitable for degree of protection (IP)	IP65
Max. switching power LED	300 W
Width	51 mm
Height	67 mm
Depth	25.5 mm
Diameter	0 mm
Min. depth of built-in installation box	0 mm

Manual

CE declaration

Certificate