

■ Datasheet: RCBO, electronic, type A, series AMPARO, 1+N, 6kA




■ SCHRACK-INFO

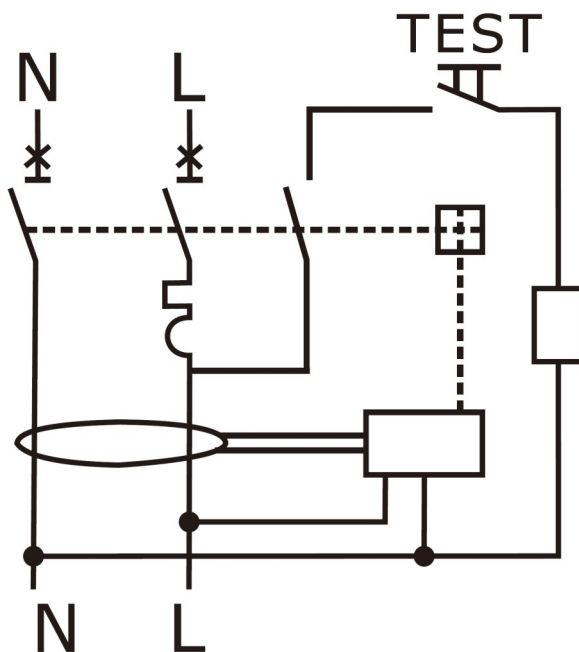
- Contact position indicator
- Terminal guide for secure connection
- Snap-on mounting for DIN rail EN 50022

■ Technical datas

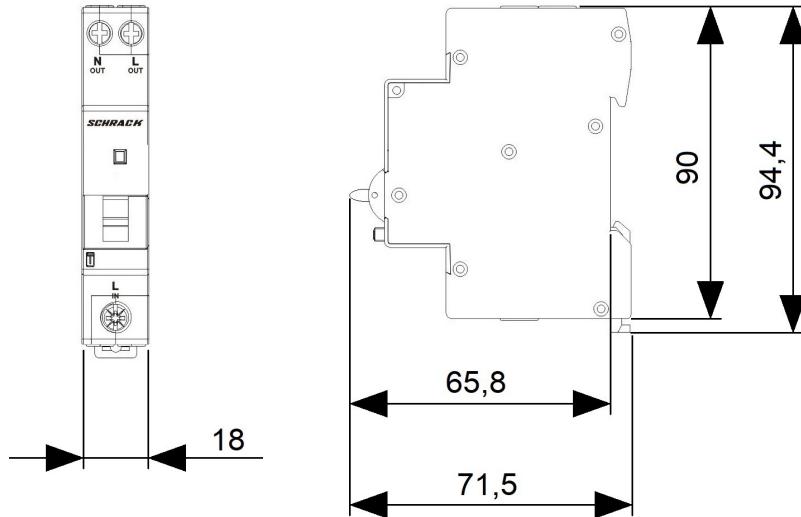
Standards:	IEC/EN 61009-1
Type	A
Poles	1+N
Rated voltage (AC):	230/240 V-AC
Rated frequency (AC):	50/60 Hz
Rated current I_n	6, 10, 16, 20, 25, 32, 40 A
Tripping characteristics:	B, C
Rated sensitivity $I_{\Delta n}$	0,03 A
Rated short-circuit capacity $I_{cn} = I_{cs}$	6 kA
Energy limiting class	3
Rated residual making and breaking capacity $I_{\Delta m}$	3 kA
Dielectric test voltage at ind. Freq. for 1 min.	2,5 kV

Electrical endurance:	> 10.000 operating cycles
Mechanical endurance:	> 30.000 operating cycles
Contact position indicator	yes
Protection degree	IP20
Reference temperature:	30 °C
Operating temperature:	-5 °C to +55 °C
Storage temperature:	-25 °C to +70 °C
Terminal connection type top and bottom	Cable/ Pin-type busbar
Terminal cross-section:	1 - 10 mm ²
Terminal tightening torque:	1.2 Nm
Mounting:	on DIN rail EN 60715 (35mm)

 Wiring diagram



Dimensions



Articles

RCBO, electronic, type A, series AMPARO, 1+N, 6kA

Description	order no.
Characteristic B	
6A	AI618506--
10A	AI618510--
16A	AI618516--
20A	AI618520--
32A	AI618532--
Characteristic C	
6A	AI617506--
10A	AI617510--
16A	AI617516--
20A	AI617520--
25A	AI617525--
32A	AI617532--
40A	AI617540--