



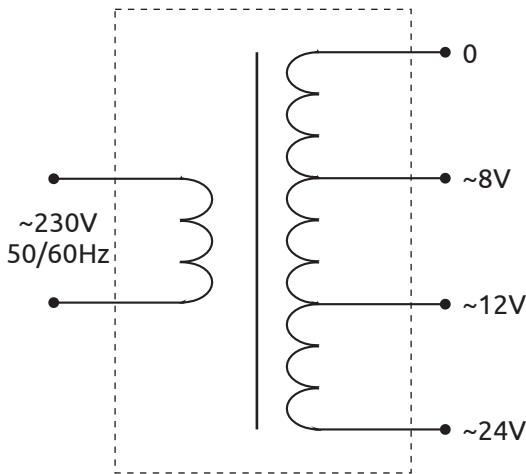
Technical specifications

Series	TRF
Standard	IEC 61558-2-6
Rated voltage Un1, V (primary winding)	~230
Rated voltage Un2, V (secondary winding)	~8, 12, 24
Rated voltage of the insulation Ui, V	500
Rated impulse withstand voltage Uimp, V	5000
Rated frequency f, Hz	50/60
Consumption power P, W	8
Cross-section of connecting conductors, mm ²	up to 6
DIN rail mounting	TN35
Degree of protection	IP20
Connecting of busbar	no

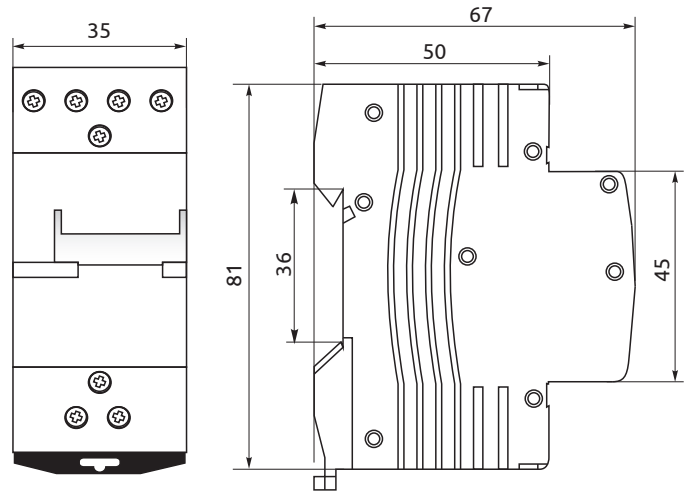
Features

- Reduced voltage in AC circuits

Schematic diagrams



Overall dimensions



Order code	Full name of	Packaging, pcs		Gross weight, kg		
		Packaging	Box	Unit	Packaging	Box
TRF24	Modular step-down transformer TRF24 230V/24V	6	60	0,319	1,990	19,600