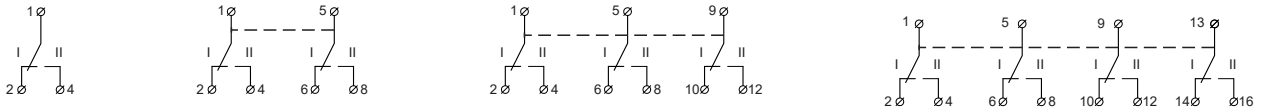




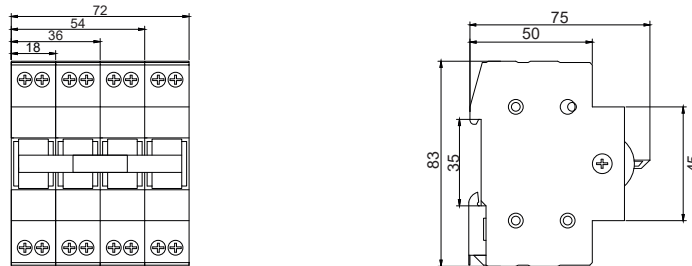
Technical specifications

Series	FSD2
Standards	IEC 60947-3, EN 60947-3
Number of poles	1, 2, 3, 4
Rated current I_n , A	10, 16, 20, 25, 32, 40, 50, 63
Rated voltage U_n , V	~230/400
Rated frequency f , Hz	50/60
Rated conditional short-circuit current, kA	2,5
Rated voltage of the insulation U_i , V	500
Rated impulse withstand voltage U_{imp} , V	6000
Cross-section of connecting conductors, mm ²	1.5-16mm ² - single-core 1.5-10mm ² - stranded (PZ1, max. 1,2Nm)
Switching wear resistance (number of cycles on/off)	4 000/20 000 (electrical/mechanical)
Degree of protection	IP20
Application category	AC-22
DIN rail mounting	TN35
Connecting of additional devices	no
Operating position	any
Width, mm	18

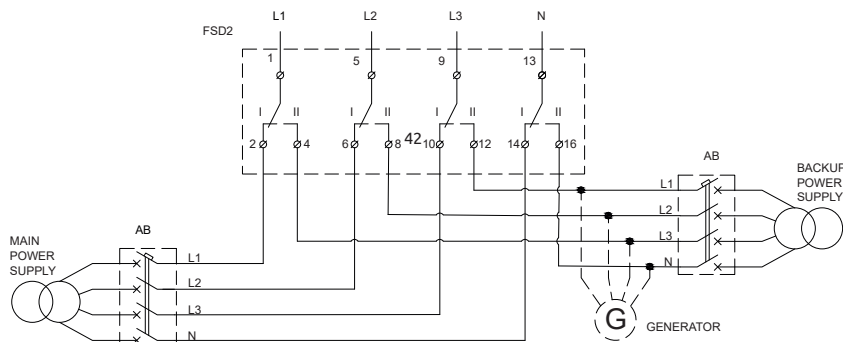
Schematic diagrams



Overall dimensions



Connection diagram



Load Switches FSD2 (1-0-2)

1P



Order code	Full name of	Rated current In, A	Packaging, pcs		Gross weight, kg		
			Packaging	Box	Unit	Packaging	Box
FSD21010	Load Switch FSD2 1P 10A 1-0-2	10	12	240	0,067	0,804	16,000
FSD21016	Load Switch FSD2 1P 16A 1-0-2	16	12	240	0,067	0,804	16,000
FSD21020	Load Switch FSD2 1P 20A 1-0-2	20	12	240	0,069	0,828	16,500
FSD21025	Load Switch FSD2 1P 25A 1-0-2	25	12	240	0,069	0,828	16,500
FSD21032	Load Switch FSD2 1P 32A 1-0-2	32	12	240	0,071	0,852	17,400
FSD21040	Load Switch FSD2 1P 40A 1-0-2	40	12	240	0,071	0,852	17,400
FSD21050	Load Switch FSD2 1P 50A 1-0-2	50	12	240	0,073	0,876	17,500
FSD21063	Load Switch FSD2 1P 63A 1-0-2	63	12	240	0,073	0,876	17,500

2P



FSD22010	Load Switch FSD2 2P 10A 1-0-2	10	6	120	0,141	0,846	16,900
FSD22016	Load Switch FSD2 2P 16A 1-0-2	16	6	120	0,141	0,846	16,900
FSD22020	Load Switch FSD2 2P 20A 1-0-2	20	6	120	0,143	0,858	17,100
FSD22025	Load Switch FSD2 2P 25A 1-0-2	25	6	120	0,143	0,858	17,100
FSD22032	Load Switch FSD2 2P 32A 1-0-2	32	6	120	0,145	0,870	17,400
FSD22040	Load Switch FSD2 2P 40A 1-0-2	40	6	120	0,145	0,870	17,400
FSD22050	Load Switch FSD2 2P 50A 1-0-2	50	6	120	0,147	0,882	17,600
FSD22063	Load Switch FSD2 2P 63A 1-0-2	63	6	120	0,147	0,882	17,600

3P



FSD23010	Load Switch FSD2 3P 10A 1-0-2	10	4	80	0,214	0,865	17,100
FSD23016	Load Switch FSD2 3P 16A 1-0-2	16	4	80	0,214	0,865	17,100
FSD23020	Load Switch FSD2 3P 20A 1-0-2	20	4	80	0,216	0,864	17,200
FSD23025	Load Switch FSD2 3P 25A 1-0-2	25	4	80	0,216	0,864	17,200
FSD23032	Load Switch FSD2 3P 32A 1-0-2	32	4	80	0,218	0,872	17,400
FSD23040	Load Switch FSD2 3P 40A 1-0-2	40	4	80	0,218	0,872	17,400
FSD23050	Load Switch FSD2 3P 50A 1-0-2	50	4	80	0,220	0,880	17,600
FSD23063	Load Switch FSD2 3P 63A 1-0-2	63	4	80	0,220	0,880	17,600

4P



FSD24010	Load Switch FSD2 4P 10A 1-0-2	10	3	60	0,294	0,882	17,600
FSD24016	Load Switch FSD2 4P 16A 1-0-2	16	3	60	0,294	0,882	17,600
FSD24020	Load Switch FSD2 4P 20A 1-0-2	20	3	60	0,296	0,888	17,700
FSD24025	Load Switch FSD2 4P 25A 1-0-2	25	3	60	0,296	0,888	17,700
FSD24032	Load Switch FSD2 4P 32A 1-0-2	32	3	60	0,298	0,894	17,800
FSD24040	Load Switch FSD2 4P 40A 1-0-2	40	3	60	0,298	0,894	17,800
FSD24050	Load Switch FSD2 4P 50A 1-0-2	50	3	60	0,300	0,900	18,000
FSD24063	Load Switch FSD2 4P 63A 1-0-2	63	3	60	0,300	0,900	18,000

FSD2