

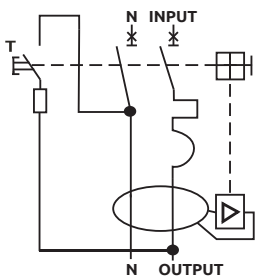


**Technical specifications**

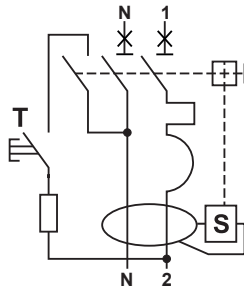
Series	FAP1	FAP6	FAP10
Standards	IEC 61009	IEC 61009	IEC 61009
Number of poles	1P+N, 3P+N	1P+N	1P+N
Rated current $I_n$ , A	6, 10, 16, 20, 25, 32, 40, 50, 63	6, 10, 16, 20, 25, 32, 40	6, 10, 16, 20, 25, 32, 40
Leakage current $I_{\Delta n}$ , mA	30	30, 100, 300	30, 100, 300
Rated voltage $U_n$ , V	~230, 400	~230	~230
Disconnection characteristic	C	B, C	B, C
Limit switching capacity $I_{cn}$ , A	6 000	6 000	10 000
Application category	AC	AC	A, AC
Switching wear resistance (number of cycles on/off)	4 000/10 000 (electrical/mechanical)	4 000/10 000 (electrical/mechanical)	6 000/20 000 (electrical/mechanical)
Cross-section of connecting conductors, mm <sup>2</sup>	up to 25	up to 16	up to 25
Type of differential protection	electronic	electronic	electromechanical
Rated voltage of the insulation $U_i$ , V		500	
Rated impulse withstand voltage $U_{imp}$ , V		4000	
Rated frequency $f$ , Hz		50/60	
Selectivity class		3	
Instantaneous shutdown duration, s		≤ 0.1	
Degree of protection		IP20	
DIN rail mounting	TN35	TN35	TN35
Connecting of busbar	PIN	no	PIN/FORK
Connecting of additional devices		no	
Operating position		any	
Sealing option ON/OFF		yes	
Release type		electromagnetic/thermal	

**Schematic diagrams**

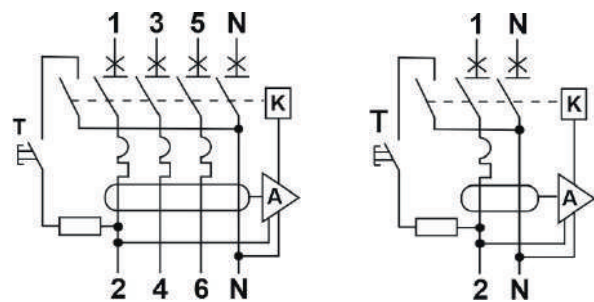
**FAP6**  
electronic



**FAP10**  
electromechanical



**FAP1**



## Residual current circuit breakers with over-current protection FAP1, FAP6, FAP10

Characteristic C	Order code	Full name of	Rated current In, A	Packaging, pcs		Gross weight, kg		
				Packaging	Box	Unit	Packaging	Box
<b>2P</b>	FAP01C06030AC	Residual current circuit breaker with over-current protection FAP1-AC 6A/0,03A 2P 6kA	6	1	120	0,175	0,175	21,000
	FAP01C10030AC	Residual current circuit breaker with over-current protection FAP1-AC 10A/0,03A 2P 6kA	10	1	120	0,175	0,175	21,000
	FAP01C16030AC	Residual current circuit breaker with over-current protection FAP1-AC 16A/0,03A 2P 6kA	16	1	120	0,175	0,175	21,000
	FAP01C20030AC	Residual current circuit breaker with over-current protection FAP1-AC 20A/0,03A 2P 6kA	20	1	120	0,175	0,175	21,000
	FAP01C25030AC	Residual current circuit breaker with over-current protection FAP1-AC 25A/0,03A 2P 6kA	25	1	120	0,175	0,175	21,000
	FAP01C32030AC	Residual current circuit breaker with over-current protection FAP1-AC 32A/0,03A 2P 6kA	32	1	120	0,175	0,175	21,000
	FAP01C40030AC	Residual current circuit breaker with over-current protection FAP1-AC 40A/0,03A 2P 6kA	40	1	120	0,175	0,175	21,000
	FAP01C50030AC	Residual current circuit breaker with over-current protection FAP1-AC 50A/0,03A 2P 6kA	50	1	120	0,175	0,175	21,000
	FAP01C63030AC	Residual current circuit breaker with over-current protection FAP1-AC 63A/0,03A 2P 6kA	63	1	120	0,175	0,175	21,000

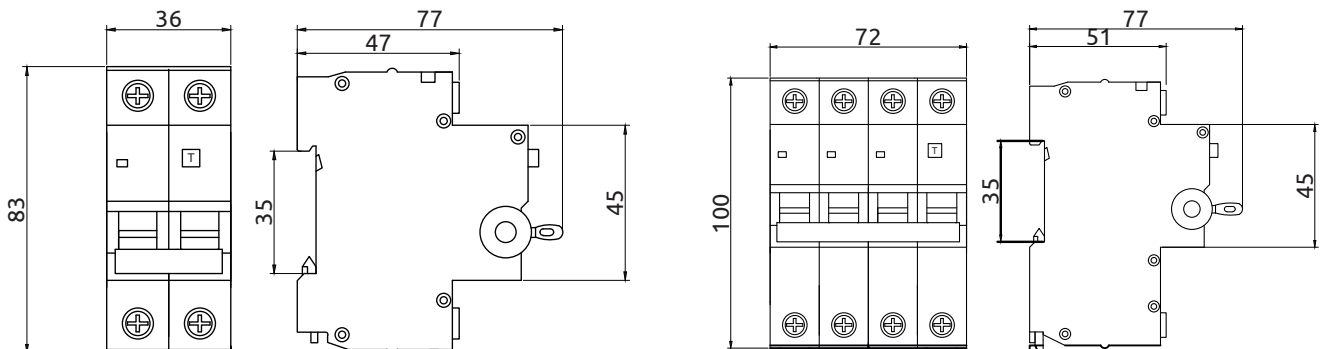


FAP

<b>4P</b>	FAP01C060304AC	Residual current circuit breaker with over-current protection FAP1-AC 6A/0,03A 4P 6kA	6	1	120	0,441	0,441	52,92
	FAP01C100304AC	Residual current circuit breaker with over-current protection FAP1-AC 10A/0,03A 4P 6kA	10	1	120	0,441	0,441	52,92
	FAP01C160304AC	Residual current circuit breaker with over-current protection FAP1-AC 16A/0,03A 4P 6kA	16	1	120	0,441	0,441	52,92
	FAP01C200304AC	Residual current circuit breaker with over-current protection FAP1-AC 20A/0,03A 4P 6kA	20	1	120	0,441	0,441	52,92
	FAP01C250304AC	Residual current circuit breaker with over-current protection FAP1-AC 25A/0,03A 4P 6kA	25	1	120	0,441	0,441	52,92
	FAP01C320304AC	Residual current circuit breaker with over-current protection FAP1-AC 32A/0,03A 4P 6kA	32	1	120	0,441	0,441	52,92
	FAP01C400304AC	Residual current circuit breaker with over-current protection FAP1-AC 40A/0,03A 4P 6kA	40	1	120	0,441	0,441	52,92
	FAP01C500304AC	Residual current circuit breaker with over-current protection FAP1-AC 50A/0,03A 4P 6kA	50	1	120	0,441	0,441	52,92
	FAP01C630304AC	Residual current circuit breaker with over-current protection FAP1-AC 63A/0,03A 4P 6kA	63	1	120	0,441	0,441	52,92



## Overall dimensions



## Residual current circuit breakers with over-current protection FAP1, FAP6, FAP10

FAP

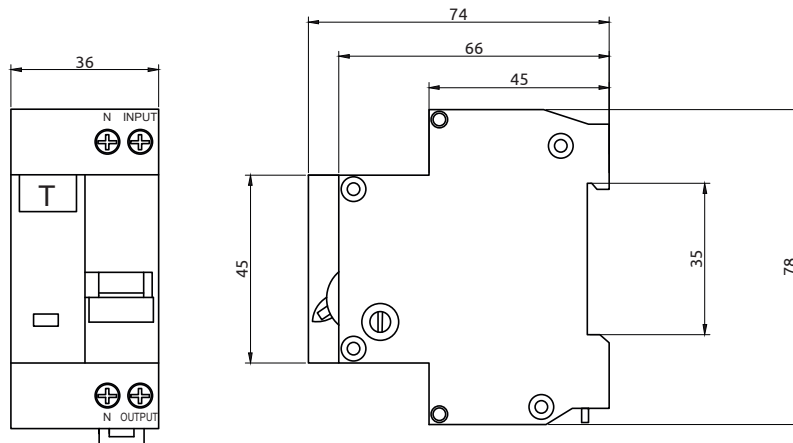
Characteristic B	Order code	Full name of	Rated current $I_n$ , A	Packaging, pcs		Gross weight, kg		
				Packaging	Box	Unit	Packaging	Box
<b>1P+N</b>	FAP06B06030AC	Residual current circuit breaker with over-current protection FAP6-AC 6A/0,03A 2P 6kA	6	1	100	0,154	0,154	15,800
	FAP06B10030AC	Residual current circuit breaker with over-current protection FAP6-AC 10A/0,03A 2P 6kA	10	1	100	0,154	0,154	15,800
	FAP06B16030AC	Residual current circuit breaker with over-current protection FAP6-AC 16A/0,03A 2P 6kA	16	1	100	0,154	0,154	15,800
	FAP06B20030AC	Residual current circuit breaker with over-current protection FAP6-AC 20A/0,03A 2P 6kA	20	1	100	0,154	0,154	15,800
	FAP06B25030AC	Residual current circuit breaker with over-current protection FAP6-AC 25A/0,03A 2P 6kA	25	1	100	0,160	0,160	16,400
	FAP06B32030AC	Residual current circuit breaker with over-current protection FAP6-AC 32A/0,03A 2P 6kA	32	1	100	0,160	0,160	16,400
	FAP06B40030AC	Residual current circuit breaker with over-current protection FAP6-AC 40A/0,03A 2P 6kA	40	1	100	0,160	0,160	16,400

### Characteristic C

**1P+N**

FAP06C06030AC	Residual current circuit breaker with over-current protection FAP6-AC 6A/0,03A 2P 6kA	6	1	100	0,154	0,154	15,800
FAP06C10030AC	Residual current circuit breaker with over-current protection FAP6-AC 10A/0,03A 2P 6kA	10	1	100	0,154	0,154	15,800
FAP06C16030AC	Residual current circuit breaker with over-current protection FAP6-AC 16A/0,03A 2P 6kA	16	1	100	0,154	0,154	15,800
FAP06C20030AC	Residual current circuit breaker with over-current protection FAP6-AC 20A/0,03A 2P 6kA	20	1	100	0,154	0,154	15,800
FAP06C25030AC	Residual current circuit breaker with over-current protection FAP6-AC 25A/0,03A 2P 6kA	25	1	100	0,160	0,160	16,400
FAP06C32030AC	Residual current circuit breaker with over-current protection FAP6-AC 32A/0,03A 2P 6kA	32	1	100	0,160	0,160	16,400
FAP06C40030AC	Residual current circuit breaker with over-current protection FAP6-AC 40A/0,03A 2P 6kA	40	1	100	0,160	0,160	16,400

## Overall dimensions



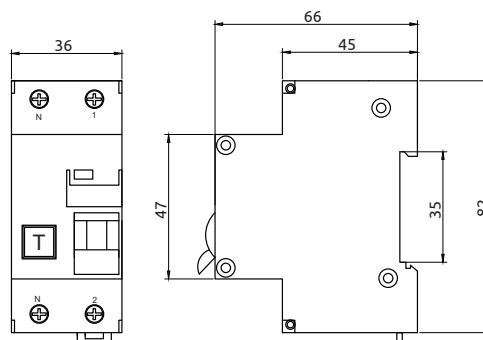
## Residual current circuit breakers with over-current protection FAP1, FAP6, FAP10

Characteristic B Type AC	Order code	Full name of	Rated current I <sub>n</sub> , A	Packaging, pcs		Gross weight, kg		
				Packaging	Box	Unit	Packaging	Box
<b>1P+N</b>	FAP10B06030AC	Residual current circuit breaker with over-current protection FAP10-AC 6A/0,03A 2P 10kA	6	1	100	0,218	0,218	22,200
	FAP10B06100AC	Residual current circuit breaker with over-current protection FAP10-AC 6A/0,1A 2P 10kA	6	1	100	0,218	0,218	22,200
	FAP10B06300AC	Residual current circuit breaker with over-current protection FAP10-AC 6A/0,3A 2P 10kA	6	1	100	0,218	0,218	22,200
	FAP10B10030AC	Residual current circuit breaker with over-current protection FAP10-AC 10A/0,03A 2P 10kA	10	1	100	0,218	0,218	22,200
	FAP10B10100AC	Residual current circuit breaker with over-current protection FAP10-AC 10A/0,1A 2P 10kA	10	1	100	0,218	0,218	22,200
	FAP10B10300AC	Residual current circuit breaker with over-current protection FAP10-AC 10A/0,3A 2P 10kA	10	1	100	0,218	0,218	22,200
	FAP10B16030AC	Residual current circuit breaker with over-current protection FAP10-AC 16A/0,03A 2P 10kA	16	1	100	0,221	0,221	22,500
	FAP10B16100AC	Residual current circuit breaker with over-current protection FAP10-AC 16A/0,1A 2P 10kA	16	1	100	0,221	0,221	22,500
	FAP10B16300AC	Residual current circuit breaker with over-current protection FAP10-AC 16A/0,3A 2P 10kA	16	1	100	0,221	0,221	22,500
	FAP10B20030AC	Residual current circuit breaker with over-current protection FAP10-AC 20A/0,03A 2P 10kA	20	1	100	0,225	0,225	22,900
	FAP10B20100A	Residual current circuit breaker with over-current protection FAP10-AC 20A/0,1A 2P 10kA	20	1	100	0,225	0,225	22,900
	FAP10B20300AC	Residual current circuit breaker with over-current protection FAP10-AC 20A/0,3A 2P 10kA	20	1	100	0,225	0,225	22,900
	FAP10B25030AC	Residual current circuit breaker with over-current protection FAP10-AC 25A/0,03A 2P 10kA	25	1	100	0,225	0,225	22,900
	FAP10B25100AC	Residual current circuit breaker with over-current protection FAP10-AC 25A/0,1A 2P 10kA	25	1	100	0,225	0,225	22,900
	FAP10B25300AC	Residual current circuit breaker with over-current protection FAP10-AC 25A/0,3A 2P 10kA	25	1	100	0,225	0,225	22,900
	FAP10B32030AC	Residual current circuit breaker with over-current protection FAP10-AC 32A/0,03A 2P 10kA	32	1	100	0,227	0,227	23,100
	FAP10B32100AC	Residual current circuit breaker with over-current protection FAP10-AC 32A/0,1A 2P 10kA	32	1	100	0,227	0,227	23,100
	FAP10B32300AC	Residual current circuit breaker with over-current protection FAP10-AC 32A/0,3A 2P 10kA	32	1	100	0,227	0,227	23,100
	FAP10B40030AC	Residual current circuit breaker with over-current protection FAP10-AC 40A/0,03A 2P 10kA	40	1	100	0,227	0,227	23,100
	FAP10B40100AC	Residual current circuit breaker with over-current protection FAP10-AC 40A/0,1A 2P 10kA	40	1	100	0,227	0,227	23,100
FAP10B40300AC	Residual current circuit breaker with over-current protection FAP10-AC 40A/0,3A 2P 10kA	40	1	100	0,227	0,227	23,100	



FAP

### Overall dimensions



## Residual current circuit breakers with over-current protection FAP1, FAP6, FAP10

FAP

Characteristic C  
Type AC

1P+N



Order code	Full name of	Rated current In, A	Packaging, pcs		Gross weight, kg		
			Packaging	Box	Unit	Packaging	Box
FAP10C06030AC	Residual current circuit breaker with over-current protection FAP10-AC 6A/0,03A 2P 10kA	6	1	100	0,218	0,218	22,200
FAP10C06100AC	Residual current circuit breaker with over-current protection FAP10-AC 6A/0,1A 2P 10kA	6	1	100	0,218	0,218	22,200
FAP10C06300AC	Residual current circuit breaker with over-current protection FAP10-AC 6A/0,3A 2P 10kA	6	1	100	0,218	0,218	22,200
FAP10C10030AC	Residual current circuit breaker with over-current protection FAP10-AC 10A/0,03A 2P 10kA	10	1	100	0,218	0,218	22,200
FAP10C10100AC	Residual current circuit breaker with over-current protection FAP10-AC 10A/0,1A 2P 10kA	10	1	100	0,218	0,218	22,200
FAP10C10300AC	Residual current circuit breaker with over-current protection FAP10-AC 10A/0,3A 2P 10kA	10	1	100	0,218	0,218	22,200
FAP10C16030AC	Residual current circuit breaker with over-current protection FAP10-AC 16A/0,03A 2P 10kA	16	1	100	0,221	0,221	22,500
FAP10C16100AC	Residual current circuit breaker with over-current protection FAP10-AC 16A/0,1A 2P 10kA	16	1	100	0,221	0,221	22,500
FAP10C16300AC	Residual current circuit breaker with over-current protection FAP10-AC 16A/0,3A 2P 10kA	16	1	100	0,221	0,221	22,500
FAP10C20030AC	Residual current circuit breaker with over-current protection FAP10-AC 20A/0,03A 2P 10kA	20	1	100	0,225	0,225	22,900
FAP10C20100AC	Residual current circuit breaker with over-current protection FAP10-AC 20A/0,1A 2P 10kA	20	1	100	0,225	0,225	22,900
FAP10C20300AC	Residual current circuit breaker with over-current protection FAP10-AC 20A/0,3A 2P 10kA	20	1	100	0,225	0,225	22,900
FAP10C25030AC	Residual current circuit breaker with over-current protection FAP10-AC 25A/0,03A 2P 10kA	25	1	100	0,225	0,225	22,900
FAP10C25100AC	Residual current circuit breaker with over-current protection FAP10-AC 25A/0,1A 2P 10kA	25	1	100	0,225	0,225	22,900
FAP10C25300AC	Residual current circuit breaker with over-current protection FAP10-AC 25A/0,3A 2P 10kA	25	1	100	0,225	0,225	22,900
FAP10C32030AC	Residual current circuit breaker with over-current protection FAP10-AC 32A/0,03A 2P 10kA	32	1	100	0,227	0,227	23,100
FAP10C32100AC	Residual current circuit breaker with over-current protection FAP10-AC 32A/0,1A 2P 10kA	32	1	100	0,227	0,227	23,100
FAP10C32300AC	Residual current circuit breaker with over-current protection FAP10-AC 32A/0,3A 2P 10kA	32	1	100	0,227	0,227	23,100
FAP10C40030AC	Residual current circuit breaker with over-current protection FAP10-AC 40A/0,03A 2P 10kA	40	1	100	0,227	0,227	23,100
FAP10C40100AC	Residual current circuit breaker with over-current protection FAP10-AC 40A/0,1A 2P 10kA	40	1	100	0,227	0,227	23,100
FAP10C40300AC	Residual current circuit breaker with over-current protection FAP10-AC 40A/0,3A 2P 10kA	40	1	100	0,227	0,227	23,100

### Overall dimensions

