

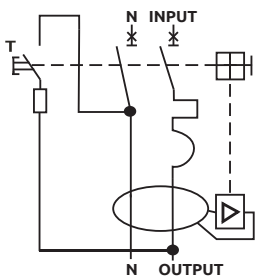


Technical specifications

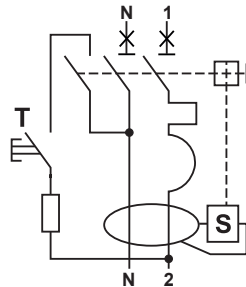
Series	FAP1	FAP6	FAP10
Standards	IEC 61009	IEC 61009	IEC 61009
Number of poles	1P+N, 3P+N	1P+N	1P+N
Rated current I_n , A	6, 10, 16, 20, 25, 32, 40, 50, 63	6, 10, 16, 20, 25, 32, 40	6, 10, 16, 20, 25, 32, 40
Leakage current $I_{\Delta n}$, mA	30	30, 100, 300	30, 100, 300
Rated voltage U_n , V	~230, 400	~230	~230
Disconnection characteristic	C	B, C	B, C
Limit switching capacity I_{cn} , A	6 000	6 000	10 000
Application category	AC	AC	A, AC
Switching wear resistance (number of cycles on/off)	4 000/10 000 (electrical/mechanical)	4 000/10 000 (electrical/mechanical)	6 000/20 000 (electrical/mechanical)
Cross-section of connecting conductors, mm ²	up to 25	up to 16	up to 25
Type of differential protection	electronic	electronic	electromechanical
Rated voltage of the insulation U_i , V		500	
Rated impulse withstand voltage U_{imp} , V		4000	
Rated frequency f , Hz		50/60	
Selectivity class		3	
Instantaneous shutdown duration, s		≤ 0.1	
Degree of protection		IP20	
DIN rail mounting	TN35	TN35	TN35
Connecting of busbar	PIN	no	PIN/FORK
Connecting of additional devices		no	
Operating position		any	
Sealing option ON/OFF		yes	
Release type		electromagnetic/thermal	

Schematic diagrams

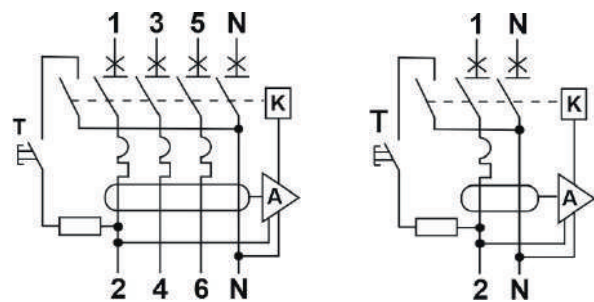
FAP6
electronic



FAP10
electromechanical



FAP1



Residual current circuit breakers with over-current protection FAP1, FAP6, FAP10

Characteristic C	Order code	Full name of	Rated current In, A	Packaging, pcs		Gross weight, kg		
				Packaging	Box	Unit	Packaging	Box
2P	FAP01C06030AC	Residual current circuit breaker with over-current protection FAP1-AC 6A/0,03A 2P 6kA	6	1	120	0,175	0,175	21,000
	FAP01C10030AC	Residual current circuit breaker with over-current protection FAP1-AC 10A/0,03A 2P 6kA	10	1	120	0,175	0,175	21,000
	FAP01C16030AC	Residual current circuit breaker with over-current protection FAP1-AC 16A/0,03A 2P 6kA	16	1	120	0,175	0,175	21,000
	FAP01C20030AC	Residual current circuit breaker with over-current protection FAP1-AC 20A/0,03A 2P 6kA	20	1	120	0,175	0,175	21,000
	FAP01C25030AC	Residual current circuit breaker with over-current protection FAP1-AC 25A/0,03A 2P 6kA	25	1	120	0,175	0,175	21,000
	FAP01C32030AC	Residual current circuit breaker with over-current protection FAP1-AC 32A/0,03A 2P 6kA	32	1	120	0,175	0,175	21,000
	FAP01C40030AC	Residual current circuit breaker with over-current protection FAP1-AC 40A/0,03A 2P 6kA	40	1	120	0,175	0,175	21,000
	FAP01C50030AC	Residual current circuit breaker with over-current protection FAP1-AC 50A/0,03A 2P 6kA	50	1	120	0,175	0,175	21,000
	FAP01C63030AC	Residual current circuit breaker with over-current protection FAP1-AC 63A/0,03A 2P 6kA	63	1	120	0,175	0,175	21,000

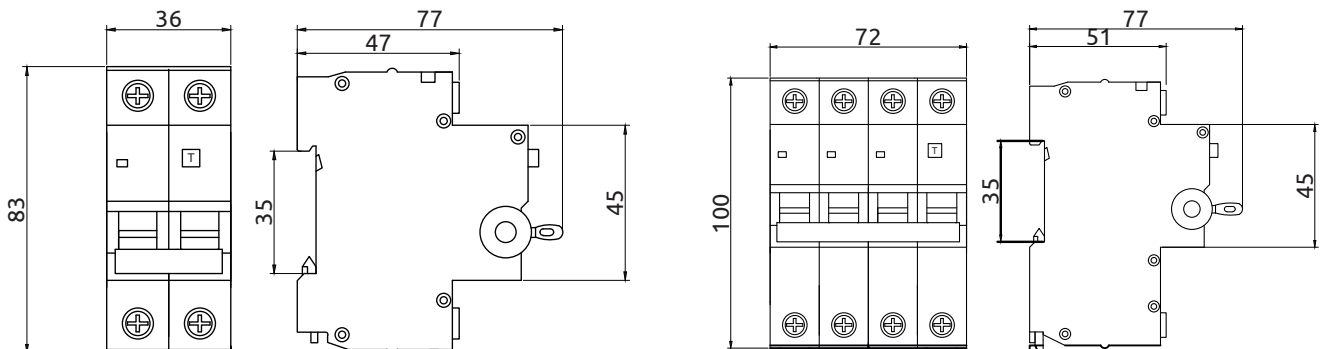


FAP

4P	FAP01C060304AC	Residual current circuit breaker with over-current protection FAP1-AC 6A/0,03A 4P 6kA	6	1	120	0,441	0,441	52,92
	FAP01C100304AC	Residual current circuit breaker with over-current protection FAP1-AC 10A/0,03A 4P 6kA	10	1	120	0,441	0,441	52,92
	FAP01C160304AC	Residual current circuit breaker with over-current protection FAP1-AC 16A/0,03A 4P 6kA	16	1	120	0,441	0,441	52,92
	FAP01C200304AC	Residual current circuit breaker with over-current protection FAP1-AC 20A/0,03A 4P 6kA	20	1	120	0,441	0,441	52,92
	FAP01C250304AC	Residual current circuit breaker with over-current protection FAP1-AC 25A/0,03A 4P 6kA	25	1	120	0,441	0,441	52,92
	FAP01C320304AC	Residual current circuit breaker with over-current protection FAP1-AC 32A/0,03A 4P 6kA	32	1	120	0,441	0,441	52,92
	FAP01C400304AC	Residual current circuit breaker with over-current protection FAP1-AC 40A/0,03A 4P 6kA	40	1	120	0,441	0,441	52,92
	FAP01C500304AC	Residual current circuit breaker with over-current protection FAP1-AC 50A/0,03A 4P 6kA	50	1	120	0,441	0,441	52,92
	FAP01C630304AC	Residual current circuit breaker with over-current protection FAP1-AC 63A/0,03A 4P 6kA	63	1	120	0,441	0,441	52,92



Overall dimensions



Residual current circuit breakers with over-current protection FAP1, FAP6, FAP10

FAP

Characteristic B	Order code	Full name of	Rated current I_n , A	Packaging, pcs		Gross weight, kg		
				Packaging	Box	Unit	Packaging	Box
1P+N	FAP06B06030AC	Residual current circuit breaker with over-current protection FAP6-AC 6A/0,03A 2P 6kA	6	1	100	0,154	0,154	15,800
	FAP06B10030AC	Residual current circuit breaker with over-current protection FAP6-AC 10A/0,03A 2P 6kA	10	1	100	0,154	0,154	15,800
	FAP06B16030AC	Residual current circuit breaker with over-current protection FAP6-AC 16A/0,03A 2P 6kA	16	1	100	0,154	0,154	15,800
	FAP06B20030AC	Residual current circuit breaker with over-current protection FAP6-AC 20A/0,03A 2P 6kA	20	1	100	0,154	0,154	15,800
	FAP06B25030AC	Residual current circuit breaker with over-current protection FAP6-AC 25A/0,03A 2P 6kA	25	1	100	0,160	0,160	16,400
	FAP06B32030AC	Residual current circuit breaker with over-current protection FAP6-AC 32A/0,03A 2P 6kA	32	1	100	0,160	0,160	16,400
	FAP06B40030AC	Residual current circuit breaker with over-current protection FAP6-AC 40A/0,03A 2P 6kA	40	1	100	0,160	0,160	16,400

Characteristic C

1P+N	FAP06C06030AC	Residual current circuit breaker with over-current protection FAP6-AC 6A/0,03A 2P 6kA	6	1	100	0,154	0,154	15,800
	FAP06C10030AC	Residual current circuit breaker with over-current protection FAP6-AC 10A/0,03A 2P 6kA	10	1	100	0,154	0,154	15,800
	FAP06C16030AC	Residual current circuit breaker with over-current protection FAP6-AC 16A/0,03A 2P 6kA	16	1	100	0,154	0,154	15,800
	FAP06C20030AC	Residual current circuit breaker with over-current protection FAP6-AC 20A/0,03A 2P 6kA	20	1	100	0,154	0,154	15,800
	FAP06C25030AC	Residual current circuit breaker with over-current protection FAP6-AC 25A/0,03A 2P 6kA	25	1	100	0,160	0,160	16,400
	FAP06C32030AC	Residual current circuit breaker with over-current protection FAP6-AC 32A/0,03A 2P 6kA	32	1	100	0,160	0,160	16,400
	FAP06C40030AC	Residual current circuit breaker with over-current protection FAP6-AC 40A/0,03A 2P 6kA	40	1	100	0,160	0,160	16,400

Overall dimensions

