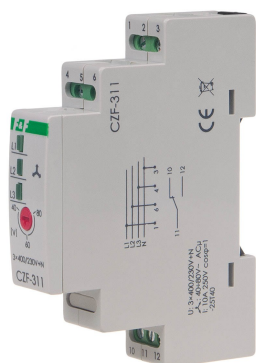




F&F Filipowski sp.k., ul. Konstancyńska 79/81, 95-200 Pabianice, tel.: +48 (42) 214 90 37, e-mail: biuro@fif.com.pl, www.fif.com.pl



CZF-311

Phase failure relay

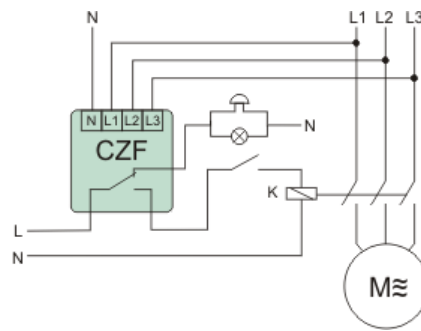
Index: CZF-311

With adjustable actuation threshold at voltage asymmetry.

Three phase monitors serve to protect the three-phase electric motors supplied from three-phase mains, against phase collapse in at least one phase or against phase-to-phase voltage asymmetry, threatening to damage the motor.



DESCRIPTION



Functioning

Phase collapse in at least one phase or voltage unbalance between phases above set value causes switching-OFF the motor. The motor switching-OFF occurs with 4 sec delay, which prevents any accidental motor disconnecting at temporary voltage drop. The re-connection will occur automatically at voltage increase of 5V above activation voltage (i.e. of value of voltage hysteresis). At occurrence of these disturbances, it is not possible to set a motor in motion.

TECHNICAL DATA

With detachable clamps	Nie
External power supply required	Tak
Phase sequence monitoring	Nie
Phase failure detection	Tak
Function under voltage detection	Tak
Function overvoltage detection	Nie
Phase imbalance monitoring	Tak
Min. adjustable off-delay time	1 s
Max. permitted off-delay time	1 s
Number of contacts as change-over contact	1
Type of electric connection	Screw connection
Supply voltage AC 50 Hz	150-280 V
Min. adjustable delay-on energization time	4 s
Max. permitted delay-on energization time	4 s
Number of contacts as normally closed contact	0
Number of contacts as normally open contact	0
Operating voltage AC 50 Hz	150-280 V
Rated switch current	10 A
Voltage type (supply voltage)	AC
Voltage type (operating voltage)	AC
Depth	0 mm
Height	0 mm
Width	0 mm

Manual

CE declaration

Certificate