



F&F Filipowski sp.k., ul. Konstancyńska 79/81, 95-200 Pabianice, tel.: +48 (42) 214 90 37, e-mail: biuro@fif.com.pl, www.fif.com.pl



CKF-318-TRMS

Phase Sequence and Failure Relay

Index: CKF-318-TRMS

Order of phase and phase loss sensor. Without neutral wire.

The CKF-318 order of phase and phase loss sensor is designed to protect electric motors powered from the three-phase network 3×400 V (without neutral wire).

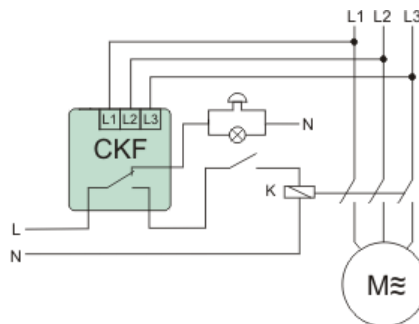


5 908312 590927 >

DESCRIPTION

Implemented security features:

- voltage asymmetry between the phases
- total loss of phase
- symmetrical voltage drop in three phases
- change the order of phases
- exceeding of the phase upper voltage threshold >480 V
- exceeding of the phase lower voltage threshold <320 V



Functioning

With the right voltage conditions the contacts of the sensor contacts are closed. In the event of a voltage anomaly the sensor disconnects contacts with the appropriate time-delay. Return of the network parameters to standard conditions will reactivate the contacts with the preset delay.

Indications:

Green LED [R]:

- lights - correct parameters, contact closed
- flashes - counting off the delay time of a next activation

Red LED [<U]:

- lights - voltage asymmetry or voltage below 320 V
- flashes ×1/s - incorrect phase order
- flashes ×3/s - voltage above 480 V

TECHNICAL DATA

With detachable clamps	Nie
External power supply required	Tak
Phase sequence monitoring	Tak
Phase failure detection	Tak
Function under voltage detection	Tak
Function overvoltage detection	Tak
Phase imbalance monitoring	Tak
Min. adjustable delay-on energization time	1 s
Max. permitted delay-on energization time	60 s
Min. adjustable off-delay time	1 s
Max. permitted off-delay time	1 s
Number of contacts as change-over contact	2
Type of electric connection	Screw connection
Supply voltage AC 50 Hz	320-480 V
Number of contacts as normally closed contact	0
Number of contacts as normally open contact	0
Operating voltage AC 50 Hz	320-480 V
Rated switch current	6 A
Voltage type (supply voltage)	AC
Voltage type (operating voltage)	AC
Depth	0 mm
Height	0 mm
Width	0 mm

Manual

CE declaration

Certificate