



F&F Filipowski sp.k., ul. Konstancyńska 79/81, 95-200 Pabianice, tel.: +48 (42) 214 90 37, e-mail: biuro@fif.com.pl, www.fif.com.pl



CKF-316

Phase sequence and failure relay

Index: CKF-316

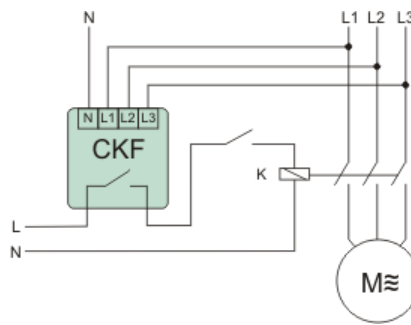
With fixed actuation threshold voltage asymmetry.

Three phase and sequence monitor is designed to protect three phase electric motors against voltage drop in at least one phase or voltage asymmetry between phases, which could damage the motor, with additional protection of motor rotation direction in case of phase change before the monitor.



5 908312 593164 >

DESCRIPTION



Functioning

Voltage collapse in any phase or voltage asymmetry between phases above fixed actuation threshold causes switching-OFF the motor. The motor switching-OFF occurs after delay of 4 sec, which prevents accidental motor switching-OFF caused by instantaneous voltage drop. Switching the motor ON anew occurs automatically when the voltage increases of 5V~ above activation voltage (i.e. about value of voltage hysteresis). At occurrence of these disturbances, it is not possible to set motor in motion. In case of change of phase sequence, before the monitor, which causes change of motor rotation direction (in relation to that primarily set) is signaled by shining red diode LED along with impossibility of switching-ON the motor. The re-connection is possible after the return to correct phase sequence.

TECHNICAL DATA

With detachable clamps	Nie
External power supply required	Tak
Phase sequence monitoring	Tak
Phase failure detection	Tak
Function under voltage detection	Tak
Function overvoltage detection	Nie
Phase imbalance monitoring	Tak
Min. adjustable off-delay time	1 s
Number of contacts as normally open contact	0
Type of electric connection	Screw connection
Supply voltage AC 50 Hz	150-280 V
Min. adjustable delay-on energization time	4 s
Max. permitted delay-on energization time	4 s
Max. permitted off-delay time	1 s
Number of contacts as normally closed contact	0
Number of contacts as change-over contact	1
Operating voltage AC 50 Hz	150-280 V
Rated switch current	10 A
Voltage type (supply voltage)	AC
Voltage type (operating voltage)	AC
Depth	0 mm
Height	0 mm
Width	0 mm

Manual

CE declaration

Certificate