

USER'S MANUAL

Wall Mount Servo Motor Type Automatic Voltage Regulator

Model: AVR-SRV-SPRY500 /1000BK/WE-WL

well®

USER'S MANUAL

Thank you for choosing this product. Please read carefully the following instructions and keep them within reach.

PLEASE READ AND KEEP THIS MANUAL

Thank you for selecting this smart Automatic Voltage Regulator(AVR). It provides you with a perfect protection for connected equipments.

This manual is a guide to install and use the AVR. It includes important safety instructions for operation and correct installation of the AVR. Should you have any problems with it, please refer to this manual before calling for customer service.



This symbol gives information regarding the points important for user's health and safety, UPS operation and the safety of your data.



This symbol gives information, warnings, and other suggestions.

(Version 1.0)

Before operating this product, please read these instructions carefully.

TABLE OF CONTENTS

TABLE OF CONTENTS

1. Important Safety Instructions	1
2. Specifications	2
3. Packing Content	3
4. Introduction to the AVR	3
A. Front of AVR	
B. Rear of AVR	
C. Bottom of AVR	
5. Installation of the AVR	4
A. Dimension of Hanger	
B. Size of Screws	
6. OPERATION	5
A. Connect the Electrical Appliances to AVR	
B. Connect AVR to Mains Power	
C. Delay Operation	
D. Switch on the AVR	
E. LED Operation	
F. Overheat Protection	
G. Output Over Voltage Protection	6
H. Output Under Voltage Protection	
I. Short Circuit Protection	
7. Maintenances	6
. Regular Inspection	
. Extraordinary Inspection	

USER'S MANUAL

1. IMPORTANT SAFETY INSTRUCTIONS

This AVR provides all the necessary safety conditions to protect the home and office electrical appliances, including information systems. In case of any questions, please refer to the authorized technical service representative.

- In order to avoid any damage to the AVR, it is advised to transport it in its original packing.
- In the event of sudden temperature changes such as from cold to the normal working temperature, mist can form inside the AVR. It is absolutely essential that the AVR be dry before switching it on. Due to this reason, wait for at least two (2) hours before operating it.
- Once it's dry, make sure you observe all the conditions in the environment section of the technical specifications table, before introducing it into the circuit.



Earth cable should be chosen according to the current capacity. All units' earth connections, which are connected to AVR, should be done with earth cable. Without



earth connection or unproved earth connected units are dangerous for user's health, and have high risk of electronic circuit board faults. Using earth cable with improper diameter could be dangerous for user's health and safety of the unit.

- Place all the cables in a proper place so that they are not stepped on or get caught into people's feet. Before connecting the AVR to the mains power, make sure you carefully read all the instructions and warnings in the "Installation of the AVR" section of this manual.
- Don't drop any foreign materials (like clips, nails etc...) into the equipment.
- In emergencies (damage to the cabinet, front panel, or mains connections, splashing of liquid dropping of any foreign materials into the equipment) switch off the AVR, pull out the plug and inform the authorized service center.
- Do not connect any loads to the AVR, which exceed its power range.
- When input distortion or resistance is too high, AVR may not work properly.
- Wiring must be tight, to prevent falling off and oxidation.

USER'S MANUAL



The AVR can only be repaired by the authorized technical service personnel. Any attempt to open and to repair by the user on his own could prove to be dangerous.



Placing magnetic storage media on the top of the AVR may result in data corruption.



Special Precautions: When the AVR input comes from a generator:

-Output power capacity must be higher than the AVR rating, otherwise the AVR and generator may not work properly;



-Output frequency of generator must be in range from 45 to 65Hz, and wave form must be sine wave, otherwise the AVR and generator may not work properly.

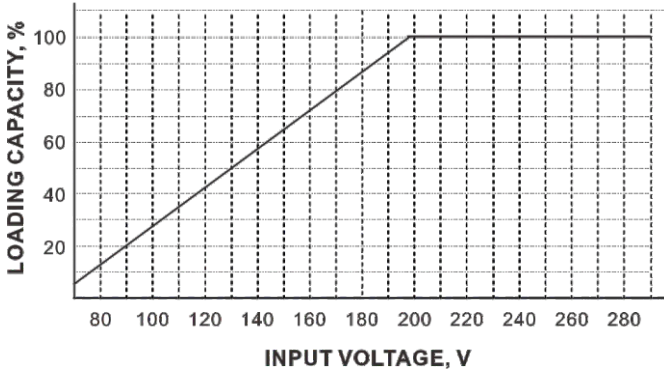
USER'S MANUAL

2. SPECIFICATIONS

Model No.	Capacity	Outlet	Machine Size (D x W x H)
AVR-SRV-SPRY500BK-WL	500VA/300W	1 x schuko	130x170x230mm
AVR-SRV-SPRY1000BK-WL	1000VA/600W	1 x schuko	130x170x230mm
AVR-SRV-SPRY500WE-WL	500VA/300W	1 x schuko	130x170x230mm
AVR-SRV-SPRY1000WE-WL	1000VA/600W	1 x schuko	130x170x230mm

Input Voltage Range	160-260VAC (Tolerance $\pm 3V$)
Input Frequency Range	45-65 Hz
Rated Output Voltage	230VAC
Output Voltage Precision	$\pm 3\%$ (without load) (Tolerance $\pm 3V$)
Output Frequency	Synchronized with mains
Distortion	<3% (compare to input wave form)
Power Factor	0.6
Efficiency	>0.95
Operating Temperature	-10°C~40°C
Operating Humidity	0~90%(Non-condensing)
Noise	≤ 56 dB (full load, distance at 1 meter)
Delay Time	6/180 seconds selectable
Protection	Output Low Voltage, Output High Voltage, High Temperature, Short Circuit.
Certification	CE (EMC+LVD)
IP Class	IP20
Protection class	I

- The AVR is able to provide 100% output power when the input voltage is within the range of 198-260V, due to the inherent characteristic of the transformer. If the input voltage is below 198V, the loading capacity of the AVR will decrease as shown in the below chart.



3. PACKING CONTECTS

Delivered pack includes:

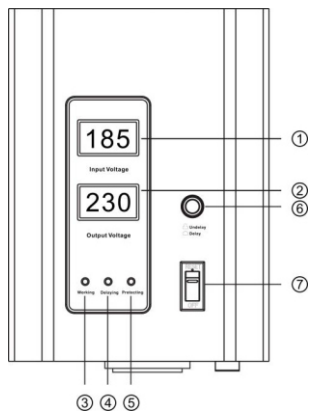
Open the package, you will find:

- AVR..... 1 Set
- User's Manual..... 1 piece
- Warranty Card..... 1 piece

USER'S MANUAL

4. INTRODUCTION TO THE AVR

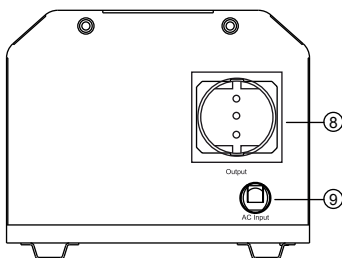
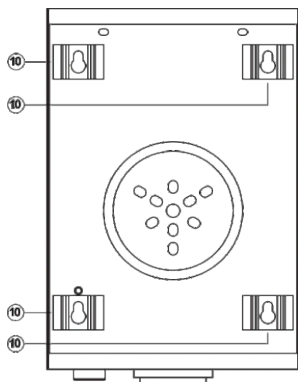
A. Front of the AVR



1. "Input Voltage" Display
2. "Output Voltage" Display
3. Green LED (Indicator for "Power On")
4. Yellow LED (Indicator for "Delaying")
5. Red LED (Indicator for "Protecting")
6. Delay Button
7. Power Switch (With "Resettable Fuse" Function)

B. Rear of the AVR

C. Bottom of the AVR



8. Outlet
9. Input Cable
10. Hanger

USER'S MANUAL

5. INSTALLATION OF AVR



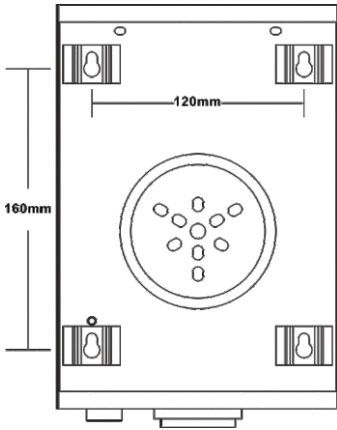
Install the AVR in a cool, dry, clean place, away from windows, dust, moisture and cold to prevent fire or electrical shock, do not expose the AVR to rain or water.



For better performance and longer lifespan, this AVR must be installed on a firm wall!

- a. Install the AVR in a place where the children can't reach for.
- b. Do not install the AVR in or near water.
- c. Do not place AVR on an unstable cart, stand or table.
- d. Do not place AVR under direct sunlight, excessive humidity.
- e. Keep away from fire, heat sources.
- f. Keep away from corrosive gas or fluid.
- g. Do not place AVR power cord in any area where it may get damaged by heavy objects.

A. Dimension of the Hanger



Make sure all the Anchor Bolts/Screws are tightly fastened on the wall!

Make sure the four hanging holes of the AVR are tightly fastened with the Anchor Bolts!

B. Size of Screws

It's strongly recommended to use the SLEEVE ANCHOR BOLTS instead of the normal screws.

The head of Anchor Bolt/Screw should be within 6mm~9mm in diameter.

6. OPERATION

A. Connect the Electrical Appliance to the AVR

- Make sure all appliance is turned "OFF", and put the POWER SWITCH of AVR to "OFF" position.
- Plug the appliance into the output socket of the AVR, ensuring the total starting power does not exceed the rated maximum power capacity of the AVR.

B. Connect the AVR to Mains Power

- Plug the AC INPUT CABLE into wall mains socket.

C. Delay Operation

- The default delay time is 6 seconds (Un delay) or 3 minutes (Delay) optional. Press down the DELAY BUTTON to select the delay function, or press it up to cancel it.
- For the appliances with motors and compressors, like fans, refrigerators, coolers, pumps, small motors, please select the delay function. it will prevent from being damaged due to frequent switching on/off.

D. Switch on the AVR

- Put the POWER SWITCH to "RESET" position, the GREEN LED will light, the YELLOW LED will light and blink. At the same time, the "OUTPUT VOLTAGE" display will show the elapsing delay time.
- When the delay is finished, the YELLOW LED lights off, and the "OUTPUT VOLTAGE" DISPLAY will show output voltage supplying to appliance.
- Switch "ON" the appliance connected to the AVR

In Case of Power Failure:

- Switch "OFF" the AVR and all the appliances
- Repeat above steps when power is restored.

USER'S MANUAL

E. LED Indication

- When the Green LED is "ON", it indicates the AVR is connected to the mains power.
- When the Yellow LED is "ON", it indicates the AVR is in a delay status, the output is being delayed.
- When the Red LED is "ON", it indicates the AVR is in a protection status, the output is cut off.

F. Overheat Protection

- This AVR is equipped with a unique TEMPERATURE PROTECTION CIRCUIT to protect the transformer, giving you longer and satisfactory use of the AVR.
- If the internal temperature of the windings of transformer reaches the limit or above, the output will be cut "OFF" automatically, and the OUTPUT VOLTAGE DISPLAY will show "C". At the same time, the RED LED lights up.
- When the internal temperature returns to normal range, the output power will be restored automatically.

G. Output Over Voltage Protection

- This AVR is built in with a very specialized feature OVER VOLTAGE PROTECTION CIRCUIT, which is designed to protect connected appliances once the output voltage is higher than the normal range.
- If the output voltage is over the normal range, the output will be cut "OFF" automatically and the OUTPUT VOLTAGE DISPLAY will show "H". At the same time, the Red LED lights up.
- Once the input mains power returns to normal range, the AVR will restore the output automatically.

H. Output Under Voltage Protection

- If the output voltage is below the normal range, the output will be cut off automatically and the OUTPUT VOLTAGE DISPLAY will show "L". At the same time, the Red LED lights up.
- Once the input mains power returns to normal range, the AVR will restore the output to the load.

I. Short Circuit Protection.

In case of a short circuit or severe overload, the POWER SWITCH (integrated with a resettable fuse function) will trip off to cut off the input power supply.

- Check if the AVR is overloaded, if so, please remove the load.
- Check if the appliance is short circuited, if so, please disconnect it.

7.MAINTENACES

This AVR is basically maintenance free! But regular maintenance can extend the life of the AVR by the following steps:

Regular inspection

- Disconnect the AVR from the mains power completely.
- Use cotton cloth and detergent to clean the body and ventilation holes.

Extraordinary inspection

- When malfunction occurs, or the AVR is abnormal, please measure and check the parameters, refer to the authorized dealer if needed.
- In thunder and lightning or rainy season, extraordinary inspection should be done to prevent malfunction.
- Maintenance should not be operated when AVR is working.



Waste electrical and electronic equipment are a special waste category, collection , storage, transport , treatment and recycling are important because they can avoid environmental pollution and are harmful to health

Submitting waste electrical and electronic equipment to special collection centers makes the waste to be recycled properly and protecting the environment. Do not forget !Each electric appliance that arrive at the landfill, the field , pollute the environment!



MANUAL DE UTILIZARE

Regulator de tensiune automatic de tip Wall Mount Servo Motor

Model: AVR-SRV-SPRY500 /1000BK/WE-WL

well®

MANUAL DE UTILIZARE

Va multumim ca ati ales acest produs. Va rugam sa cititi cu atentie urmatoarele instructiuni si pastrati-le la indemana.

VA RUGAM SA CITITI SI SA URMATI ACEST MANUAL

Va multumim ca ati ales acest Regulator Automatic de Tensiune inteligent (AVR). Acesta va ofera o protectie perfecta a echipamentelor conectate.

Acest manual este un ghid pentru instalarea si utilizarea AVR. Contine informatii importante de siguranta pentru exploatarea si instalarea corecta a AVR. Daca aveti orice problema cu aceasta, va rugam consultati manualul inainte de a apela la serviciile clienti.



Acest simbol ofera informatii referitor la punctele importante pentru sanatatea si siguranta utilizatorului, operare UPS si siguranta datelor dumneavoastra.



Acest simbol ofera informatii, avertizari si alte sugestii.

(Versiunea 1.0)

Inainte de punerea in functiune a acestui produs va rugam cititi cu atentie aceste instructiuni.

CONTINUT

1. Instructiuni importante de siguranta	1
2. Specificatii	2
3. Continutul pachetului	3
4. Prezentarea AVR	3
A. Fata AVR	
B. Spatele AVR	
C. Partea de jos AVR	
5. Instalarea AVR	4
A. Dimensiunea agatatorilor	
B. Dimensiunea suruburilor	
6. OPERARE	5
A. Conectarea aparatelor electrice la AVR	
B. Conectarea AVR la sursa de curent	
C. Operare decalaj	
D. Pornirea AVR	
E. Functionare LED	
F. Protectie la supraincalzire	
G. Protectie la supratensiune iesire	6
H. Protectie la subtensiune iesire	
I. Protectie la scurt-circuit	
7. Intretinere	6
. Inspecție regulara	
. Inspecție extraordinara	

1. INSTRUCIUNI IMPORTANTE DE SIGURANTA

Acest AVR furnizeaza toate conditiile de siguranta necesare pentru protectia aparatelor electrice casnice si de birou, inclusiv sisteme informationale. In caz de orice intrebari va rugam sa va adresati reprezentantului de service autorizat.

- Pentru evitarea oricarei deteriorari a AVR se recomanda transportul in ambalajul original.
- In caz de schimbare brusca de temperatura cum este din frig la temperatura normala de functionare, se poate forma condens in interiorul AVR. Este absolut esential ca AVR sa fie uscat inainte de a fi pornit. Datorita acestui motiv asteptati cel putin doua (2) ore inainte de a-l pune in functiune.
- Odata uscat, asigurati-va ca acordati atentie tuturor conditiilor din sectiunea de mediu a tabelului de specificatii tehnice, inainte de a cupla la circuit.



Cablul de pamantare trebuie ales in functie de capacitatea de curent. Toate pamantarile unitatii care sunt conectate la AVR trebuie facute cu cablu de pamantare. Fara conexiune de pamantare sau unitatile cu pamantare neverificate sunt periculoase pentru sanatatea utilizatorului si prezinta un risc ridicat al defectarii panoului circuitului electronic. Folosirea cablului de pamantare cu diametru neadecvat poate fi periculoasa pentru sanatatea utilizatorului si siguranta unitatii.

- Plasati cablurile intr-un loc potrivit astfel incat sa nu fie calcate si sa nu se incurce pe picioarele oamenilor.

Inainte de a conecta AVR la reseaua electrica, asigurati-va ca ati citit cu atentie toate instructiunile si avertizarile din sectiunea „Instalarea AVR” din acest manual.

- Nu aruncati materiale straine (cum ar fi agrafe, cuie etc...) in echipament.
- In caz de urgenta (deteriorari ale carcasei, panoului frontal sau a conexiunilor de alimentare, varsarea de lichide, caderea de orice fel de materiale straine in echipament) opriti AVR, scoateti-l din priza si informati centrul de service autorizat.
- Nu conectati sarcini la AVR care ar depasi capacitatea sa de putere.
- Daca distorsiunea sau rezistenta de intrare este prea mare, AVR nu poate functiona adecvat.
- Conexiunile de cablaj trebuie sa fie stranse pentru a preveni desfacerea si oxidarea.

MANUAL DE UTILIZARE



AVR poate fi reparat numai de catre personal tehnic de service autorizat.

Orice incercare de deschidere si reparare de catre utilizator insusi se poate dovedi periculoasa.



Plasarea de purtatori magnetici de date pe AVR poate cauza deteriorarea datelor.



Precautii speciale: Cand alimentarea AVR este de la generator:

-Puterea de iesire trebuie sa fie mai mare decat ratingul AVR-ului, altfel AVR si generatorul ar putea sa nu functioneze adecvat;



-Frecventa de iesire a generatorului trebuie sa fie intre 45 si 60 Hz, iar unda trebuie sa fie sinusoidala, altfel AVR si generatorul ar putea sa nu functioneze adecvat.

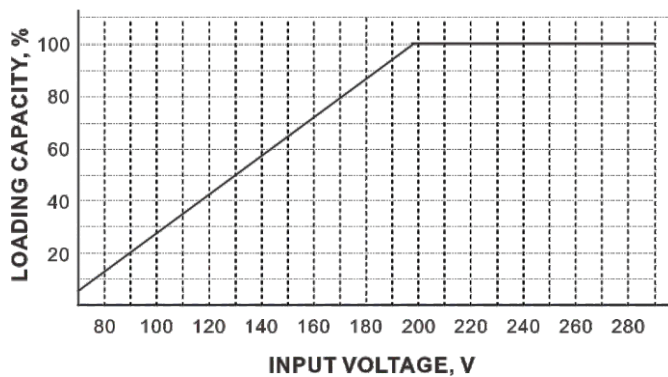
MANUAL DE UTILIZARE

2. SPECIFICATII

Nr.Model	Capacitate	Priza	Dimensiuni aparat (D x W x H)
AVR-SRV-SPRY500BK-WL	500VA/300W	1 x schuko	130x170x230mm
AVR-SRV-SPRY1000BK-WL	1000VA/600W	1 x schuko	130x170x230mm
AVR-SRV-SPRY500WE-WL	500VA/300W	1 x schuko	130x170x230mm
AVR-SRV-SPRY1000WE-WL	1000VA/600W	1 x schuko	130x170x230mm

Tensiuni de intrare	160-260 VAC (Toleranta $\pm 3V$)
Frecventa de intrare	45-65 Hz
Tensiunea nominala iesire	230VAC
Precizie tensiune de iesire	$\pm 3\%$ (fara sarcina) (Toleranta $\pm 3V$)
Frecventa iesire	Sincronizata cu retea
Distorsiune	$< 3\%$ (comparativ cu forma undei de intrare)
Factor putere	0.6
Randament	> 0.95
Temperatura de functionare	$-10^{\circ}C \sim 40^{\circ}C$
Umiditate de functionare	0~90%(Non-condens)
Zgomot	$\leq 56dB$ (sarcina maxima, distanta de 1 metru)
Timp de decalaj	6/180 secunde detectabil
Protectie	Tensiune iesire scazuta, supratensiune iesire, temperatura ridicata, scurt-circuit.
Certificare	CE (EMC+LVD)
Clasa IP	IP20
Clasa de protectie	I

- AVR este capabil sa furnizeze 100% putere de iesire cand tensiunea de iesire este intre limitele 198-260V, datorita caracteristicii inerente a transformatorului. Daca tensiunea de intrare este sub 198V, capacitatea de sarcina al AVR-lui descreste dupa cum este prezentat in schema de mai jos.



3. CONTINUTUL PACHETULUI

Pachetul livrat contine:

Deschideti ambalajul si veti gasi:

AVR..... 1 buc,

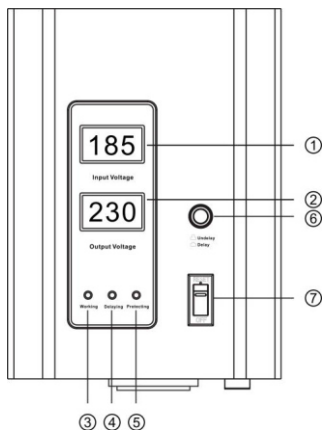
Manual de utilizare.....1 buc.

Fisa de garantie.....1 buc.

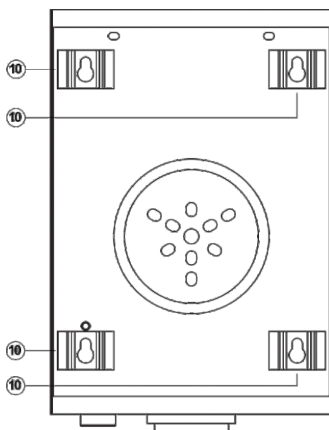
MANUAL DE UTILIZARE

3.PREZENTAREA AVR

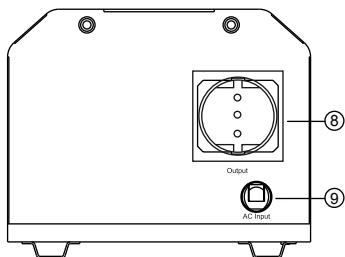
A. Fata AVR



B. Spatele AVR



C. Baza AVR



1. Afisaj "Tensiune de intrare"
2. Afisaj "Tensiune de iesire"
- 3.LED verde (Indicator pentru "Pornit")
- 4.LED galben (Indicator pentru "Decalaj")
- 5.LED rosu (Indicator pentru "Protectie")
- 6.Buton decalaj
- 7.Intrerupator tensiune (cu functie de „siguranta resetabila”)
- 8.Priza iesire
- 9.Cablu intrare
- 10.Agatatoare

5. INSTALAREA AVR



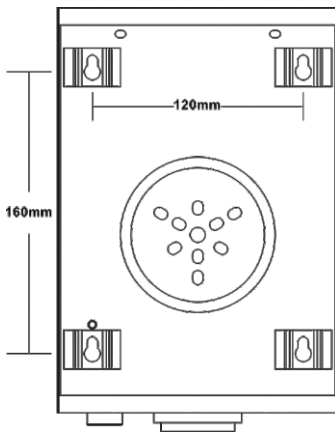
Instalati AVR intr-un loc racoros, uscat si curat, la distanta de ferestre, praf, umiditate si frig pentru a preveni focul sau curentarea, nu expuneti AVR la ploaie sau apa.



Pentru o performanta mai buna si o durata de viata mai lunga, acest AVR se va instala pe un perete stabil!

- a. Instalati AVR intr-un loc unde nu au acces copii.
- b. Nu instalati AVR in sau langa apa.
- c. Nu plasati AVR pe un raft, stativ sau masa instabile.
- d. Nu plasati AVR sub lumina directa a soarelui sau in umiditate excesiva.
- e. Pastrati la distanta de foc si de sursele de caldura.
- f. A se feri de gaze sau fluide corozive.
- g. Nu plasati cablul de alimentare al AVR in locuri unde ar putea fi avariat de obiecte grele.

A. Dimensiunile agatatorii



Asigurati-va ca buloanele/suruburile de prindere sunt bine prinse in perete!

Asigurati-va ca cele patru gauri de prindere ale AVR sunt strans fixate cu buloanele de prindere!

B. Dimensiunile suruburilor

Se recomanda utilizarea BULOANELOR MANSON DE PRINDERE in loc de suruburi normale.

Capul bulonului /surubului de prindere trebuie sa aiba un diametru intre 6mm~9mm.

6. FUNCTIONARE

A. Conectati aparatul electric la AVR

- Asigurati-va ca toate aparatele sunt in pozitia „OPRIT” si puneti INTRERUPATORUL DE ALIMENTARE al AVR-lui in pozitia „OPRIT”.
- Conectati aparatul la priza de iesire al AVR-lui , asigurandu-va ca puterea totala de pornire nu depaseste puterea nominala maxima a AVR.

B. Conectati AVR la alimentarea de retea

- Cuplati CABLUL DE ALIMENTARE AC la priza de retea din perete.

C. Decalarea functionarii

- Timpul implicit de decalaj este de 6 secunde (nedecalat) sau 3 minute (decalat) optional. Apasati in jos BUTONUL DE DECALAJ pentru selectarea functiei de decalare sau apasati in sus pentru revocare.
- Pentru aparatele cu motoare si compresoare, ca ventilatoarele, refrigeratoarele, racitoarele, pompele, motoarele mici, va rugam sa selectati functia de decalare. Aceasta va preveni defectarile datorate pornirilor/ opririlor frecvente.

D. Pornirea AVR

- Puneti INTRERUPATORUL DE ALIMENTARE in pozitia „RESET”, LEDUL VERDE va fi aprins, LEDUL GALBEN va lumina intermitent. In acelasi timp, afisajul de ”TENSIUNE DE IESIRE” va arata timpul de decalaj care trece.
- Dupa terminarea decalajului, LEDUL GALBEN se stinge, iar AFISAJUL DE TENSIUNE DE IESIRE va arata tensiunea de iesire care alimenteaza aparatul conectat.
- Porniti aparatul conectat la AVR.

In caz de cadere de curent:

- Opriti toate aparatele, inclusiv AVR.
- Repetati pasii de mai sus cand revine alimentarea.

E. Semnalizari LED

- Cand LED-ul verde este aprins, indica conectarea la retea de alimentare.
- Cand LED-ul galben este aprins, indica faptul ca AVR este in stare de decalare, iesirea este decalata.
- Cand LED-ul rosu este aprins, indica faptul ca AVR este in stare de protectie, iesirea este oprita.

F. Protectie la supraincalzire

- Acest AVR este echipat cu un CIRCUIT DE PROTECTIE LA TEMPERATURA pentru protejarea transformatorului, oferindu-va o utilizare mai lunga si mai multumitoare a AVR.
- Daca temperatura interna a bobinajului transformatorului atinge sau depaseste limita, iesirea va fi oprita automat, iar AFISAJUL DE TENSIUNE DE IESIRE va indica „C”. In acelasi timp se aprinde LEDUL ROSU.
- Cand temperatura interna se intoarce la limitele normale, puterea de iesire ca fi repornita automat.

G. Protectia de supratensiune iesire

- Acest AVR are implementat un CIRCUIT DE PROTECTIE LA SUPRATENSIUNE cu caracteristici foarte specializate, proiectat pentru protectia aparatelor conectate in momentul in care tensiunea de iesire depaseste limitele normale.
- Daca tensiunea de iesire este peste limitele normale, iesirea va fi oprita automat si AFISAJUL DE TENSIUNE IESIRE va indica „H”. In acelasi timp se aprinde LED-ul rosu.
- In momentul in care curentul revine la limitele normale, AVR va reporni iesirea automat.

H. Protectie la subtensiune iesire

- Daca tensiunea de iesire este sub limitele normale, iesirea va fi oprita automat si AFISAJUL DE TENSIUNE DE IESIRE va indica „L”. In acelasi timp se aprinde LED-ul rosu.
- Odata ce tensiunea de intrare de la retea se intoarce intre limitele normale, AVR repornește iesirea catre sarcina.

I. Protectie la scurt-circuit.

In caz de scurt-circuit sau suprasarcina grava, INTRERUPATORUL DE ALIMENTARE (integrat cu o functie de siguranta resetabila) se va declansa pentru oprirea alimentarii cu curent.

- Verificati daca AVR este supraincarcat, daca este asa, indepartati sarcina.
- Verificati daca aparatul conectat este in scurt-circuit, daca da, deconectati-l.

7. INTRETINERE

Acest AVR în esență nu necesită întreținere! O întreținere regulată însă poate prelungi viața AVR prin următorii pași:

Inspectia regulată

- Deconectați complet AVR de la curentul de alimentare.
- Folosiți o lavetă de bumbac și detergent pentru curățarea corpului și fanțelor de ventilație.

Inspectia extraordinară

- Dacă apare un defect de funcționare sau AVR este anormal, vă rugăm să măsurați și verificați parametrii, în caz de nevoie apălați la distribuitorul autorizat.
- În sezon furtunos sau ploios ar trebui făcută inspectia extraordinară pentru prevenirea defectiunilor.
- Nu se va face întreținerea în timp ce AVR funcționează.



Informații ecologice:

Deseurile de echipamente electrice și electronice sunt o categorie specială de deseuri, colectarea, depozitarea, tratarea și reciclarea sunt importante deoarece se pot evita poluările ale mediului cu gaze de efect de seră sau metale grele, și care pot fi dăunătoare sănătății. Depunând la centrele speciale de colectare a DEEE, vă debarasați responsabil de aceste deseuri, vă asigurați că acestea ajung să fie reciclate corect și totodată protejate natura. Nu uitați! Fiecare aparat electric ajuns la groapa de gunoi, pe câmp sau pe malul apei poluează! Simbolul (pubea tăiată cu un X) reprezintă obiectul unei colectări separate a DEEE:



FELHASZNÁLÓ KÉZIKÖNYVE

Wall Mount Servo Motor típusú automatikus feszültségszabályzó

Modell: AVR-SRV-SPRY500 /1000BK/WE-WL

well®

FELHASZNÁLÓ KÉZIKÖNYVE

Köszönjük, hogy ezt a terméket választotta. Kérjük olvassa el figyelmesen és tartsa kezügyben a következő útmutatásokat.

KÉRJÜK OLVASSA EL ÉS TARTSA BE EZT A KÉZIKÖNYVET

Köszönjük hogy az intelligens Automata Feszültségszabályozót (AVR) választotta. Tökéletes védelmet nyújt a csatlakoztatott készülékek számára.

Ez a kézikönyv útmutató az AVR felszereléséhez és használatához. Fontos biztonsági útmutatásokat tartalmaz az AVR működtetését és beszerelését illetően. Ha bármilyen probléma adódna ezzel, kérjük tanulmányozza a kézikönyvet mielőtt az ügyfélszolgálathoz fordulna.



Ex a jel fontos információkat jelöl a felhasználó egészség, az UPS működtetése és adatai biztonságára vonatkozó pontokat illetően.



Ez a jel információkat, figyelmeztetéseket és egyéb tanácsokat jelöl.

(Változat 1.0)

A termék működésbe helyezése előtt kérjük olvassa el figyelmesen jelen útmutatásokat.

TARTALOMJEGYZÉK

TARTALOMJEGYZÉK

1. Fontos biztonsági utasítások	1
2. Műszaki adatok	2
3. Csomag tartalma	3
4. Az AVR bemutatása	3
A. Az AVR előlapja	
B. Az AVR hátlapja	
C. Az AVR alapja	
5. Az AVR beszerelése	4
A. Rögzítők méretei	
B. Csavarok méretei	
6. MŰKÖDTETÉS	5
A. Fogyasztók csatlakoztatása az AVR-hez	
B. Az AVR bekötése a hálózatba	
C. Működés késleltetése	
D. Az AVR bekapcsolása	
E. LED működés	
F. Túlmelegedési védelem	
G. Kimeneti túlfeszültségvédelem	6
H. Kimeneti alulfeszültségi védelem	
I. Rövidzárlat védelem	
7. Karbantartás	6
. Rendszeres karbantartás	
. Rendkívüli karbantartás	

1. FONTOS BIZTONSÁGI UTASÍTÁSOK

Az AVR minden szükséges biztonsági feltételt biztosít az otthoni és irodai elektromos készülékek védelmére, ideértve az informatikai rendszereket is. Bármilyen kérdéssel kérjük forduljon az engedélyezett műszaki szolgálat képviselőjéhez.

- Az AVR bármilyen meghibásodása elkerülése érdekében ajánlott annak az eredeti csomagolásában való szállítása.
- Hirtelen hőmérsékletváltozások esetén, úgy mint hidegből a normális működési hőmérsékletre térésnél, az AVR belsejében kondenz képződhet. Abszolút lényeges, hogy az AVR száraz legyen bekapcsolás előtt. Ezért várjon legalább két (2) órát mielőtt működésbe helyezné.
- Miután megszáradt, bizonyosodjon meg, hogy minden környezeti feltételt tanulmányozott a műszaki leírások táblázatában mielőtt hálózatra csatlakoztatná az AVR-t.



A földelési kábelt az áramerősség függvényében kell kiválasztani. Minden, az AVR-re csatlakoztatott egység minden földelési csatlakozását földelési vezetékkel kell megoldani. Földelési csatlakozás nélküli vagy ellenőrizetlen földeléses egységek csatlakoztatása veszélyes a felhasználó egészségére és az elektronikus áramkörti lemezek magas meghibásodási kockázatát jelentik. A nem megfelelő átmérőjű kábelek használata veszélyes lehet a felhasználó egészségére és az egység biztonságára.

- Helyezzen minden kábelt megfelelő helyre, hogy ne lehessen rájuk lépni és ne akadjanak az emberek lábába.

Az AVR hálózatra való csatlakoztatása előtt bizonyosodjon meg róla, hogy figyelmesen elolvastott minden utasítást és figyelmeztetést a kézikönyv "AVR beszerelése" fejezetéből.

- Ne dobjon semmilyen idegen anyagot (mint gemkapcsokat, szegeket stb.) a készülékbe.
- Sürgősségi esetben (a doboz, előlap vagy fő csatlakozások károsodása, folyadék vagy bármilyen idegen anyag bejutása a készülékbe) kapcsolja ki az AVR-t és értesítse az engedélyezett karbantartószolgálatot.
- Ne kapcsoljon semmilyen fogyasztót az AVR-re amely annak teljesítményét túllépi.
- Ha a bemeneti torzítás vagy ellenállás túl magas, megtörténhet, hogy az AVR nem működik helyesen.
- A csatlakozások szorosak kell legyenek, a kioldódás és oxidáció elkerülése érdekében.

FELHASZNÁLÓ KÉZIKÖNYVE



Az AVR-t kizárólag engedélyezett műszaki személyzet javíthatja. A felhasználó bármilyen próbálkozása a kinyitásra vagy javításra veszélyesnek bizonyulhat.



Mágneses adathordozók tárolása az AVR tetején az adatok károsodásához vezethet.



Különleges óvintézkedések: amikor az AVR táplálása generátortól történik:

-A kimeneti teljesítmény magasabb kell legyen mint az AVR nominális teljesítménye, maskülönbén megtörténhet, hogy az AVR és a generátor nem működnek helyesen;



-A generátor kimeneti frekvenciája a 45-től 65HZ-ig terjedő sávba és, a hullámforma szinuszosidális kell legyen, máskülönbén az AVR és a generátor nem működik helyesen.

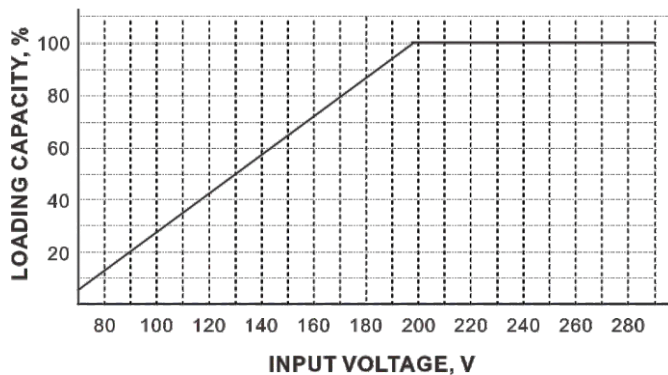
FELHASZNÁLÓ KÉZIKÖNYVE

2. MŰSZAKI ADATOK

Modell sz.	Teljesítmény	Kimeneti csatlakozó	Készülék méretei (D x W x H)
AVR-SRV-SPRY500BK-WL	500VA/300W	1 x schuko	130x170x230mm
AVR-SRV-SPRY1000BK-WL	1000VA/600W	1 x schuko	130x170x230mm
AVR-SRV-SPRY500WE-WL	500VA/300W	1 x schuko	130x170x230mm
AVR-SRV-SPRY1000WE-WL	1000VA/600W	1 x schuko	130x170x230mm

Bemeneti feszültségek	160-260 VAC (tolerancia $\pm 3V$)
Bemeneti frekvencia	45-65 Hz
Nominális kimenőfeszültség	230VAC
Kimenőfeszültség pontossága	$\pm 3\%$ (terhelés nélkül) (tolerancia $\pm 3V$)
Kimeneti frekvencia	Szinkronban a hálózattal
Torzítás	<3% (a bemeneti hullámformához viszonyítva)
Teljesítmény tényező	0.6
Hatékonyág	>0.95
Működési hőmérséklet	-10°C~40°C
Működési nyirkosság	0~90%(Non-kondenz)
Zajszint	≤ 56 dB (teljes terhelés, távolság 1 méterre)
Késleltetési idő	6/180 másodperc, választható
Védelem	Kimeneti alulfeszültség, kimeneti túlfeszültség, magas hőmérséklet, rövidzárlat.
Hitelesítés	CE (EMC+LVD)
IP osztály	IP20
Védelmi osztály	I

- Az AVR képes 100% kimeneti teljesítményt nyújtani amikor a bemeneti feszültség 198-260V között van, a transzformátor velejáró tulajdonságai által. Ha a bemeneti feszültség 198V alatti, az AVR töltési teljesítménye az alábbi ábra szerint csökken.



3. CSOMAGOLÁS TARTALMA

A kiszállított csomag tartalma:

Nyissa ki a csomagot és a következőket találja:

AVR..... 1 készülék

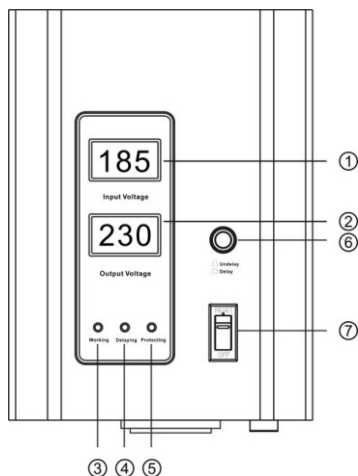
Felhasználó kézikönyve..... 1 db

Szavatossági kártya..... 1 db

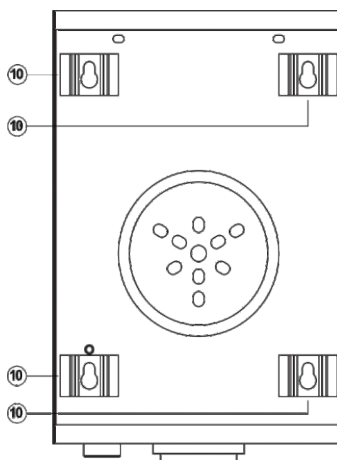
FELHASZNÁLÓ KÉZIKÖNYVE

3. AZ AVR BEMUTATÁSA

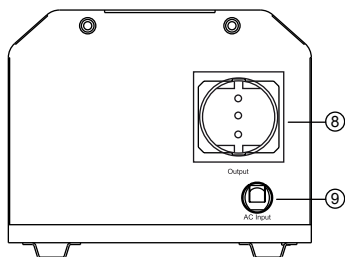
A. AVR előlapja



B. AVR hátlapja



C. AVR alapja



1. "Bemeneti feszültség" kijelző
2. "Kimeneti feszültség" kijelző
3. Zöld LED ("Bekapcsolva" jelzés)
4. Sárga LED ("Késleltetés" jelzés)
5. Piros LED ("Védelem" jelzés)
6. Késleltetési nyomógomb
7. Főkapcsoló ("visszaállítható biztosíték" funkcióval)

8. Kimeneti csatlakozó

9. Tápkábel

10. Rögzítők

5. AZ AVR BESZERELÉSE



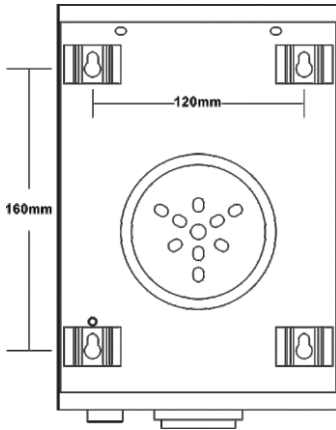
Szerelje az AVR-t hűvös, száraz, tiszta helyre, ablakoktól, portól, nedvességtől és hidegtől távol a tűz vagy áramütések elkerülése érdekében, ne tegye ki az AVR-t esőnek vagy víznek.



Jöbб teljesítmény és hosszabb élettartam érdekében, az AVR szilárd falra szerelendő!

- a. Szerelje az AVR-t olyan helyre, ahova a gyerekeknek nincs hozzáférése.
- b. Ne szerelje az AVR-t vízbe vagy víz mellé.
- c. Ne helyezze az AVR-t instabil lapra, állványra vagy asztalra.
- d. Ne helyezze az AVR-t közvetlen napfényre, túlzott nedvességbe.
- e. Tartsa távol a tűztől, hőforrásoktól.
- f. Tartsa távol a maró gázoktól és folyadékoktól.
- g. Ne helyezze az AVR tápkábelét olyan helyre ahol azt nehéz tárgyak károsíthatnák.

A. Rögzítők méretei



**Bizonyosodjon meg róla, hogy a rögzítő csavarok mereven rögzülnek a falba!
Bizonyosodjon meg róla, hogy az AVR rögzítési furatai mereven vannak rögzítve
arögzítő csavarokkal!**

B. Csavarok méretei

Ajánlott a HÜVELY HORGONYCSAVAROK használata normális csavarok helyett.

A rögzítő csavarok feje 6mm~9mm átmérőjű kell legyen.

6. MŰKÖDTETÉS

A. Csatlakoztassa az elektromos készüléket az AVR-re

- Bizonyosodjon meg róla, hogy minden készülék ki van kapcsolva és az AVR FŐKAPCSOLÓJA kikapcsolt (OFF) pozícióban van.
- Csatlakoztassa a készüléket az AVR kimeneti csatlakozójához, biztosítva, hogy az össz indítóteljesítmény nem haladja meg az AVR maximum nominális teljesítményét.

B. Kapcsolja az AVR-t az áramhálózatra

- Csatlakoztassa az AC BEMENETI KÁBELT a hálózati csatlakozóba.

C. Működés késleltetése

- Az alapértelmezett késleltetési idő 6 másodperc (nem késleltetés) vagy 3 perc (késleltetés) opcionálisan. Nyomja le a KÉSLELTETÉSI GOMBOT a késleltetési funkció kiválasztására, vagy nyomja felfele annak megszüntetésére.
- A motoros vagy kompresszoros készülékek, úgymint ventilátorok, fagyasztók, hűtők, pumpák, kis motorok számára kérjük válassza a késleltetési funkciót. Ez megelőzi a károsodást vagy a gyakori ki/be kapcsolást.

D. Az AVR bekapcsolása

- Tegye a FŐKAPCSOLÓT "RESET" pozícióba, a ZÖLD LED világít és a SÁRGA LED szaggatottan világít. Ugyanakkor a "KIMENETI FESZÜLTÉS" kijelző mutatja az elmúlt késleltetési időt.
- Amikor a késleltetés véget ért, a SÁRGA LED világít és a "KIMENETI FESZÜLTÉS" KIJELEZŐ a készülékek tápfeszültségét mutatja.
- Kapcsolja be az AVR-re csatlakoztatott készüléket .

Áramkiesés esetén:

- Kapcsolja ki az AVR-t és a készüléket.
- Ismétlje meg a fenti lépéseket amikor az áramellátás visszaáll.

E. LED jelzések

- Amikor a ZÖLD LED világít, jelzi, hogy az AVR rá van kapcsolva a hálózatra.
- Amikor a SÁRGA LED világít, jelzi, hogy az AVR késleltetési állapotban van, a kimenet késleltetve van.
- Amikor a PIROS LED világít, jelzi, hogy az AVR védelmi állapotban van, a kimenet ki van kapcsolva.

F. Túlmelegedési védelem

- Az AVR egy egyedülálló HŐMÉRSÉKLETI VÉDELMI ÁRAMKÖRREL van ellátva a transzformátor védelmére, az AVR egy hosszabb és kielégítő használatát biztosítja.
- Ha a transzformátor tekercsmenetei elérik vagy túllépik a határértéket, a kimenet automatikusan kikapcsolódik és a KIMENETI FESZÜLTSG KIJELZŐ "C" jelt mutat. Ugyanakkor a PIROS LED kezd világítani.
- Amikor a belső hőmérséklet visszatér a normális keretek közé, a kimeneti áram automatikusan visszaállítódik.

G. Kimeneti túlfeszültségi védelem

- Az AVR egy szakosodott TÚLFESZÜLTSGI VÉDELMI ÁRAMKÖRREL van ellátva, amely a csatlakoztatott készülékek védelmére szolgál abban az esetben, ha a kimeneti feszültség túllépi a normális keretet.
- Ha a kimeneti feszültség túllépi a normális keretet, a kimenet kikapcsolódik automatikusan és a KIMENETI FESZÜLTSG KIJELZŐ "H" jelt mutat. Ugyanakkor a PIROS LED kezd világítani.
- Amikor a bemeneti hálózati feszültség eléri a normális szintet, az AVR automatikusan visszaállítja a kimenetet.

H. Kimeneti alulfeszültségi védelem

- Ha a kimeneti feszültség normális szint alatt van, a kimenet automatikusan ki van kapcsolva és a KIMENETI FESZÜLTSG KIJELZŐ "L" jelt mutat. Ugyanakkor a PIROS LED kezd világítani.
- Amikor a bemeneti hálózati feszültség eléri a normális szintet, az AVR visszaállítja a kimenetet a fogyasztónak.

I. Rövidzárlati védelem.

Rövidzárlat vagy súlyos túlterhelés esetén a FŐKAPCSOLÓ (visszaállítható biztosíték funkcióval ellátva) kikapcsolja a bemeneti áramellátást.

- Ellenőrizze, ha az AVR túl van e terhelve, ha úgy van, távolítsa el a fogyasztót.
- Ellenőrizze, hogy a készülék nincs e rövidzárlatban, ha úgy van, kapcsolja ki azt.

7.KARBANTARTÁS

Ez az AVR alapvetően nem igényel karbantartást! Azonban a rendszeres karbantartás meghosszabbíthatja az AVR élettartamát a következő lépések által:

Rendszeres ellenőrzés

- Kapcsolja le teljesen az AVR-t a hálózatról.
- Használjon gyapot rongyokat és mosószerrel a doboz és a szellőztetőnyílások megtisztítására.

Rendkívüli ellenőrzés

- Ha működési hiba lép fel, vagy az AVR abnormális, kérjük mérje meg és ellenőrizze paramétereit, ha szükséges forduljon az engedélyezett forgalmazóhoz.
- Viharos vagy esős időben ajánlott a rendkívüli ellenőrzés elvégzése a működési hibák megelőzése érdekében.
- Karbantartás nem végzendő az AVR működése közben.



Ekologikus információk:

A használt elektromos és elektronikus készülékek speciális hulladék kategóriába tartoznak, begyűjtésük, tárolásuk és újrafeldolgozásuk fontos, ezáltal elkerülhetjük az üvegház hatást okozó gázok vagy nehezfémek által okozott környezeti szennyezést, melyek tartalmaznak az emberi egészségre és testi épiségre. Ez okból kifolyólag kérjük a használt elektromos és elektronikus készülékeket, berendezéseket, leadni az erre a célra létrehozott speciális hulladék gyűjtő központokba, ezáltal hozzájárulva a helyes újrahasznosítási folyamathoz, oltalmazva környezetünket és erőforrásainkat.

Ne feledje! Minden egyes elektromos és elektronikus készülék amely a hulladék lerakóhoz, a földre, vagy a víz partjára kerül szennyezi a környezetet! Az elkülönített gyűjtést igénylő, hulladékká vált elektromos, elektronikus berendezés jelölése:

