

Date tehnice pentru produs: AR876130--

Întreruptor diferențial AMPARO 10kA, 63A, 4p , 300mA, tip B

Neutral left, RCCB, Serie AMPARO, Categorie produs tip B (sensibil la curent continuu si pulsatoriu), Tip fără temporizare, Standard produs EN 61008-1:2012 + A1:2014 + A2:2014 + A11:2015 + A12:2017, EN 61008-2-1:1994 + A11:1998, EN 62423:2012



Schrack-Info

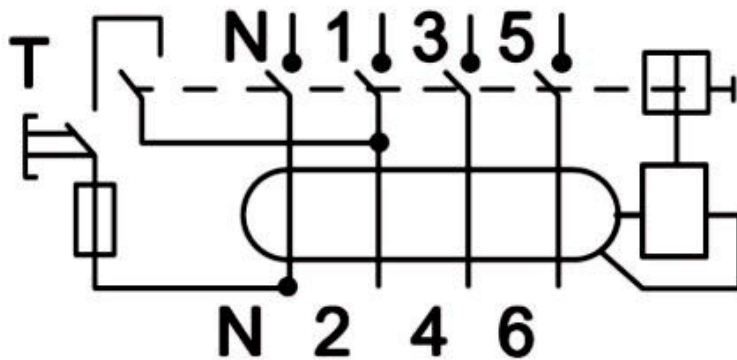
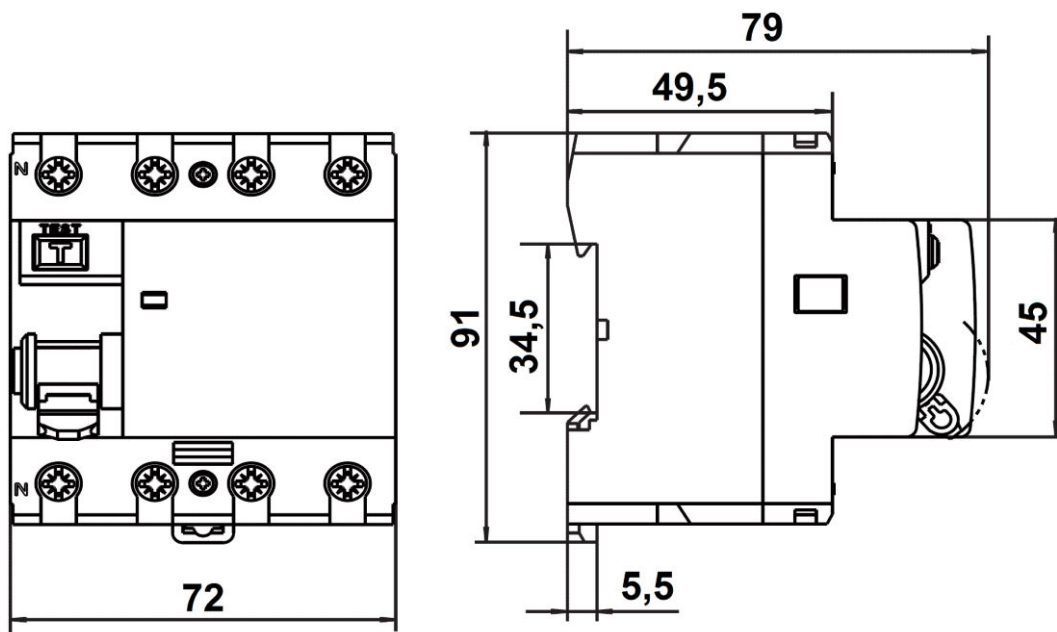
- Triggered state indication (red)
- Dual function terminals on both sides
- Terminal cross section: 2.5 - 35mm²
- VDE certified
- Neutral conductor left

Fișe tehnice

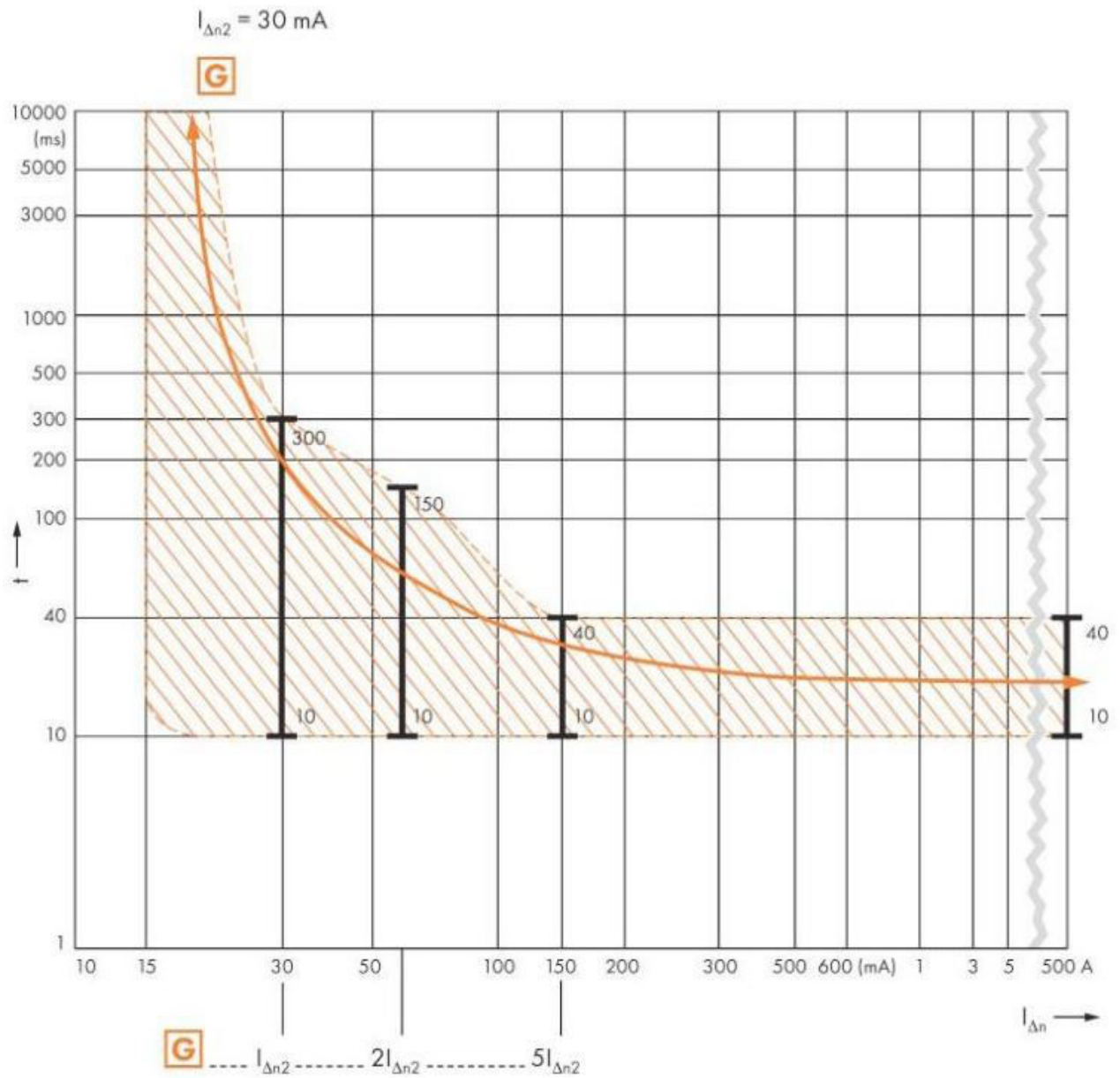
Standard	EN 62423 IEC 62423 IEC 61008-1 EN 61008-1
Categorie produs	tip B (sensibil la curent continuu si pulsatoriu)
Tip	fără temporizare
Curent nominal (A)	63

Fișe tehnice - Continuare

Rated sensitivity $I\Delta n$ (mA)	300
Poli	N+3
Tensiune nominală	230/400V AC 4-polig
Rated frequency (Hz)	50/ 60
Breaking capacity I_m (A)	630
Rezistență la scurtcircuit	10 kA
Stabilitate la impuls de tensiune U_{imp}	4kV
Dielectric test voltage at ind. Frequency (V)	2500
Insulation voltage	500 V
Max. permissible back-up fuse against short circuit (A gG)	63
Max. allowed back-up fuse against thermal overload	63A: 40A gG
Trigger time undelayed	$\geq 5 \times I\Delta n$: $\leq 40ms$ $2 \times I\Delta n$: $\leq 150ms$ $I\Delta n$: $\leq 300ms$
Non-tripping residual current	$\leq 0,5 I\Delta n$
disipare (W)	31,97
Grad de poluare	2
Lifetime, electric	2000 Operations
Lifespan, mechanical	10000 Operations
Afișaj	red if triggered
grad de protecție	IP20
Terminal cross section (mm ²)	2,5 - 35
Material conductor	Copper
Torque	2.5 Nm
Terminal type	Double Mouth Lift Clamp with Back clamps Protection
Temperatura ambientă pentru montaj deschis (°C)	-25°C bis +40°C
Montaj	On DIN rail according to EN 60715 (35mm) via quick mounting clip

Schaltbild**Maßbild**

Auslösekennlinie



zulässige Klemmung

Cross-section [mm ²]	Number of rigid single wire conductors					
	1	2	3	4	5	6
1	+	+	+	+	-	-
1,5	+	+	+	+	-	-
2,5	+	+	-	+	-	-
4	+	+	+	+	-	-
6	+	+	+	+	-	-

Cross-section [mm ²]	Number of rigid multi wire conductors					
	1	2	3	4	5	6
10	+	+	+	-	-	-
16	+	+	-	-	-	-
25	+	-	-	-	-	-
35	+	-	-	-	-	-

Cross-section [mm ²]	Number of flexible single wire conductors (without ferrule)					
	1	2	3	4	5	6
1	+	+	+	+	+	+
1,5	+	+	+	+	+	+
2,5	+	+	+	+	-	-
4	+	+	+	-	-	-
6	+	+	-	-	-	-
10	+	+	+	-	-	-
16	+	+	-	-	-	-
25	+	-	-	-	-	-
35	+	-	-	-	-	-

Cross-section [mm ²]	Number of flexible single wire conductors (with ferrule)					
	1	2	3	4	5	6
1	+	-	-	-	-	-
1,5	+	-	-	-	-	-
2,5	+	-	-	-	-	-
4	+	-	-	-	-	-
6	+	-	-	-	-	-
10	+	-	-	-	-	-
16	+	-	-	-	-	-
25	+	-	-	-	-	-
35	-	-	-	-	-	-

Tabel articole

Descriere	Cod comandă
Întreruptor diferențial AMPARO 10kA, 63A, 4p , 300mA, tip B Neutral left, RCCB, Serie AMPARO, Categorie produs tip B (sensibil la curent continuu si pulsatoriu), Tip fără temporizare, Standard AR876130 produs EN 61008-1:2012 + A1:2014 + A2:2014 + A11:2015 + A12:2017,EN 61008-2-1:1994 + A11:1998,EN 62423:2012	
Accesorii opționale	
Contact auxiliar 1CC, pt. seria AR8, fixare cu înclichetare pentru dif tip B, EN 60947-5-1, IEC 60947-5-1	AM900003