



1

GR-579/L/90/WP
GR-579/L/180/WP



TUNEL LIGHT



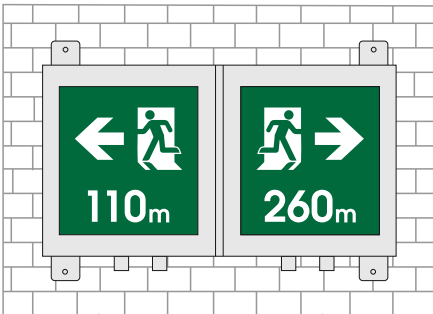
CODE	TYPE	IMAGE	ST	M	NM	IP	Battery	Time	Power	Mains/Emergency
923579000	GR-579/L/90/WP	1	✓	✓	—	IP66	2x4.8V/1.5Ah Ni-Cd	1.5 h	2x9W/2x9.5VA	2 x 680m / 2 x 340m
923579001	GR-579/L/180/WP	1	✓	✓	—	IP66	2x4.8V/3Ah Ni-Cd	3 h	2x9W/2x9.5VA	2 x 680m / 2 x 340m
923577005	GR-577/L/15/ST/WP	2	✓	✓	—	IP65	4.8V/1.5Ah	1.5 h	9W/9.5VA	680/340m
923577006	GR-577/L/18/ST/WP	2	✓	✓	—	IP65	4.8V/1.5Ah	1.5 h	11.2W/11.7VA	850/425m
923578006	GR-578/L/15/ST/WP	2	✓	✓	—	IP65	4.8V/3Ah	3 h	9.5W/10VA	680/390m
923578007	GR-578/L/18/ST/WP	2	✓	✓	—	IP65	4.8V/3Ah	3 h	12W/12.5VA	850/425m

GR-XXX/L/XX/ST/WP/O All the above models can be manufactured as single sided with aluminum backplate.
GR-XXX/L/XX/ST/WP/B All the above models can be manufactured with xenon red beacon on top.

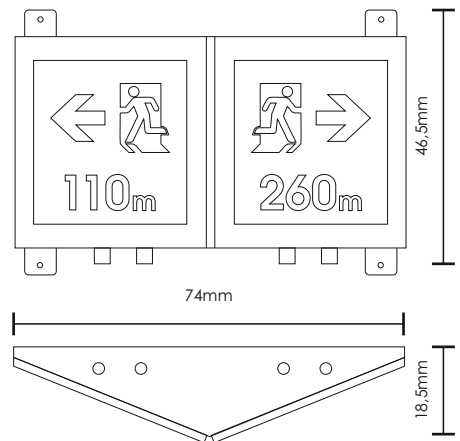
BATTERIES		
CODE	TYPE	DESCRIPTION
601214815	B-973/HT	Battery 2x4.8V/1.5Ah Ni-Cd
601214815	B-973/HT	Battery 4.8V/1.5Ah Ni-Cd
601133640	B-975/HT	Battery 4.8V/3Ah Ni-Cd

Mounting method for GR-579/L/90/WP, GR-579/L/180/WP

Wall mounting

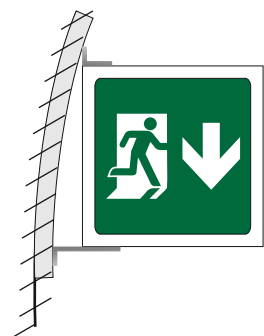


Dimensions



Mounting method for GR-577/L/15/ST/WP, GR-577/L/18/ST/WP,
GR-578/L/15/ST/WP, GR-578/L/18/ST/WP

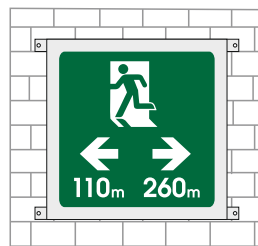
Double sided luminaire with exit marking sign mounted vertically to the wall with a base adapted to the geometry of the tunnel.



Double sided luminaire mounted vertically to the wall with emergency telephone marking sign.



Single sided luminaire mounted parallel to the wall with marking distances from the escape routes.



Dimensions

