



SPOT LIGHT

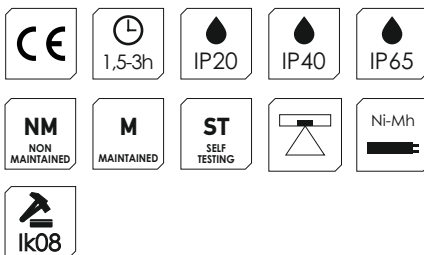
Olympia Electronics's SpotLight luminaires are designed to provide safety illumination with lenses appropriately designed for use in either open areas or escape routes.

The GRL-2XX series of the SpotLight family of luminaires finds application in installations that require the discreet presence of safety luminaires such as hotels and high-rise apartment buildings, while the GR-4XX range can be used to meet safety lighting requirements in sports or industrial installations, providing easy cabling to the electrician installer. SpotLight family lamps are divided into two basic versions:

- GR-2XX: suitable for recessed installation in suspended ceilings and use in large spaces with high ceilings, where the discreet presence of luminaires is required

- GR-4XX: designed for installation under cable trays and for use in industrial or parking spaces.

The SpotLight family of luminaires is available in versions with IP40 and IP42 or IP65 degree of waterproof for use in harsh environmental conditions, while there are versions with a range of 1.5 or 3 hours. In addition, the GR-29X / M / HL luminaire series is suitably designed for recessed installation in areas with high ceilings where a range of 3 hours is required.





- 1
Open areas
- 2
Escape routes
- 3
Open areas/
Escape routes
- 4
Points of interest



SPOT LIGHT



ST
SELF
TESTING

1,5-3h

IP20

IP40

IP65

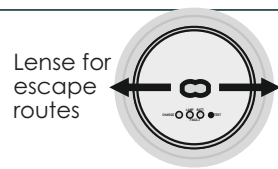
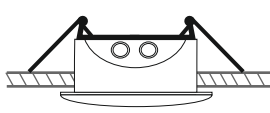
Ni-Mh

CODE	TYPE	IMAGE	ST	M	NM	Water	Battery	Time	Power	Mains/Emergency	INSTALLATION	kg
923291007	GR-291/M	1	✓	—	✓	IP40	4,8V/1,2Ah Ni-Mh	1,5 h	4,3W/4,7VA	300 lm	Open areas	543 gr.
923293003	GR-293/M	1	✓	—	✓	IP40	4,8V/1,2Ah Ni-Mh	3 h	4,3W/4,7VA	150 lm	Open areas	543 gr.
923290006	GR-290/M	2	✓	—	✓	IP40	4,8V/1,2Ah Ni-Mh	1,5 h	4,3W/4,7VA	300 lm	Escape routes	543 gr.
923292003	GR-292/M	2	✓	—	✓	IP40	4,8V/1,2Ah Ni-Mh	3 h	4,3W/4,7VA	150 lm	Escape routes	543 gr.
923291008	GR-291/WP/M	1	✓	—	✓	IP65	4,8V/1,2Ah Ni-Mh	1,5 h	4,3W/4,7VA	300 lm	Open areas	543 gr.
923293004	GR-293/WP/M	1	✓	—	✓	IP65	4,8V/1,2Ah Ni-Mh	3 h	4,3W/4,7VA	150 lm	Open areas	543 gr.
923290007	GR-290/WP/M	2	✓	—	✓	IP65	4,8V/1,2Ah Ni-Mh	1,5 h	4,3W/4,7VA	300 lm	Escape routes	543 gr.
923292004	GR-292/WP/M	2	✓	—	✓	IP65	4,8V/1,2Ah Ni-Mh	3 h	4,3W/4,7VA	150 lm	Escape routes	543 gr.
923292007	GR-292/M/HL	2	✓	—	✓	IP20	4,8V/4Ah Ni-Mh	3 h	4,9W/5,2VA	330 lm	Escape routes	818 gr.
923293007	GR-293/M/HL	1	✓	—	✓	IP20	4,8V/4Ah Ni-Mh	3 h	4,9W/5,2VA	330 lm	Open areas	818 gr.
923271000	GR-271*	1	—	—	✓	IP40	3,6V/1,2Ah Ni-Mh	1,5 h	2,4W/2,7VA	160 lm	Open areas	450 gr.
923273000	GR-273*	1	—	—	✓	IP40	3,6V/1,2Ah Ni-Mh	3 h	2,4W/2,7VA	120 lm	Open areas	450 gr.
923270000	GR-270*	2	—	—	✓	IP40	3,6V/1,2Ah Ni-Mh	1,5 h	2,4W/2,7VA	160 lm	Escape routes	450 gr.
923272000	GR-272*	2	—	—	✓	IP40	3,6V/1,2Ah Ni-Mh	3 h	2,4W/2,7VA	120 lm	Escape routes	450 gr.
923290008	GR-290/WP	2	✓	—	✓	IP65	4,8V/1,2Ah Ni-Mh	1,5 h	3,7W/4,1VA	270 lm	Escape routes	456 gr.
923291009	GR-291/WP	1	✓	—	✓	IP65	4,8V/1,2Ah Ni-Mh	1,5 h	3,7W/4,1VA	270 lm	Open areas	456 gr.
923292005	GR-292/WP	2	✓	—	✓	IP65	4,8V/1,2Ah Ni-Mh	3 h	3,7W/4,1VA	160 lm	Escape routes	456 gr.
923293005	GR-293/WP	1	✓	—	✓	IP65	4,8V/1,2Ah Ni-Mh	3 h	3,7W/4,1VA	160 lm	Open areas	456 gr.
923290000	GR-290**	2	✓	—	✓	IP40	4,8V/1,2Ah Ni-Mh	1,5 h	3,7W/4,1VA	270 lm	Escape routes	456 gr.
923291000	GR-291**	1	✓	—	✓	IP40	4,8V/1,2Ah Ni-Mh	1,5 h	3,7W/4,1VA	270 lm	Open areas	456 gr.
923292000	GR-292**	2	✓	—	✓	IP40	4,8V/1,2Ah Ni-Mh	3 h	3,7W/4,1VA	160 lm	Escape routes	456 gr.
923293000	GR-293**	1	✓	—	✓	IP40	4,8V/1,2Ah Ni-Mh	3 h	3,7W/4,1VA	160 lm	Open areas	456 gr.
923298000	GR-298/30L/180	3	✓	—	✓	IP40	4,8V/1,2Ah Ni-Mh	3 h	3,3W/3,7VA	220 lm	Open areas/ Escape routes	535 gr.
923298001	GR-298/60L/90	3	✓	—	✓	IP40	4,8V/1,2Ah Ni-Mh	1,5 h	3,3W/3,7VA	450 lm	Open areas/ Escape routes	535 gr.
923298003	GR-298/60L/90/WP	3	✓	—	✓	IP65	4,8V/1,2Ah Ni-Mh	1,5 h	3,3W/3,7VA	450 lm	Open areas/ Escape routes	535 gr.
923297000	GR-297/60L/180	3	—	✓	—	IP40	4,8V/1,2Ah Ni-Mh	3 h	5,9W/7,3VA	350/110 lm	Open areas/ Escape routes	535 gr.
923266000	GR-266/M	4	✓	—	✓	IP40	4,8V/1,2Ah Ni-Mh	1,5 h	4,3W/4,7VA	300 lm	Points of interest	442 gr.
923267000	GR-267/M	4	✓	—	✓	IP40	4,8V/1,2Ah Ni-Mh	3 h	4,3W/4,7VA	150 lm	Points of interest	442 gr.

BATTERIES		
CODE	TYPE	DESCRIPTION
601134840	B-936/HT60SC	Battery 4,8V/4Ah Ni-Mh
601104812	C-930/HT	Battery 4,8V/1,2Ah Ni-Mh
601103612	A-965/HT	Battery 3,6V/1,2Ah Ni-Mh

Mounting methods

Ceiling mounting

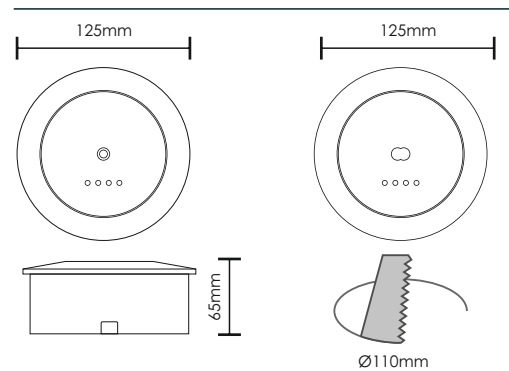


GR-290, GR-292, GR-270, GR-272



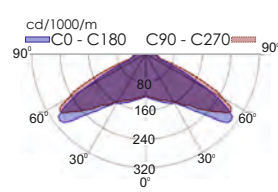
GR-291, GR-293, GR-271, GR-273

Dimensions



Photometric

GR-291 & GR-293



GR-290 & GR-292

