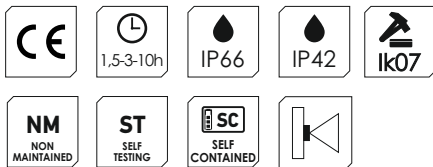


POWER LED LIGHT

The emergency luminaires of the Power Light series are designed with large, industrial areas in mind. Two independently adjustable lenses and high power led light sources enable the luminaires of the series to better illuminate each installation space, satisfying the most demanding specifications. They are characterized by a robust construction with an impact rating of IK10 while the available versions with an

increased IP 65 rating are suitable for environmentally burdened spaces. The luminaires also come in versions with 1,5 and 3 hours of autonomy.

The Power Light series is suitable for large open areas with high ceilings such as warehouses and logistic centers, car parking, and large industrial installations.



SWAROVSKI

SWAROVSKI
PRESENTS
KINGDOM

SWAROVSKI
PRESENTS

SWAROVSKI
PRESENTS
KINGDOM
OF JEWELS





POWER LED LIGHT



CODE	TYPE	IMAGE	ST	M	NM	Water	Battery	Time	Wattage	Light Source	Mains/Emergency	kg
923021031	GRL-21	1	—	—	✓	IP42	6V/4Ah Pb	1.5 h	5,6W/7,5VA	2x42 Leds	790 lm	2210 gr.
923021040	GRL-21/H/90	1	—	—	✓	IP42	12V/7Ah Pb	1.5 h	13,3W/14VA	2x6P Leds	3200 lm	4303 gr.
923021042	GRL-21/H/180	1	—	—	✓	IP42	2x12V/7Ah Pb	3 h	13,3W/14VA	2x6P Leds	3200 lm	6781 gr.
923022100	GRL-22	3	—	—	✓	IP42	12V/7Ah Pb	10 h	16VA	84 Leds	710 lm	3270 gr.
923021041	GRL-21/H/90/WP	2	—	—	✓	IP65	12V/7Ah Pb	1.5 h	13,3W/14VA	2x6P Leds	3200 lm	3587 gr.
923021043	GRL-21/H/180/WP	2	—	—	✓	IP65	2x12V/7Ah Pb	3 h	13,3W/14VA	2x6P Leds	3200 lm	6065 gr.
923037002	GRL-37/90*	1	✓	—	✓	IP42	12V/7Ah Pb	1.5 h	13,3W/14VA	2x6P Leds	3200 lm	4383 gr.
923037005	GRL-37/180*	1	✓	—	✓	IP42	2x12V/7Ah Pb	3 h	13,3W/14VA	2x6P Leds	3200 lm	6544 gr.
923029009	GRL-29	1	✓	—	✓	IP42	12V/7Ah Pb	3 h	12,6W / 13,1VA	2x84 Leds	1760 lm	3658 gr.
923038000	GRL-38/90/M	1	✓	—	✓	IP42	12V/7Ah Pb	1.5 h	13,3W/14VA	2x1COB Leds	3000 lm	4407 gr.
923037004	GRL-37/90/WP*	2	✓	—	✓	IP65	12V/7Ah Pb	1.5 h	13,3W/14VA	2x6P Leds	3200 lm	4602 gr.
923037006	GRL-37/180/WP*	2	✓	—	✓	IP65	2x12V/7Ah Pb	3 h	13,3W/14VA	2x6P Leds	3200 lm	6763 gr.
923029010	GRL-29/WP	2	✓	—	✓	IP65	12V/7Ah Pb	3 h	12,6W/13,1VA	2x84 Leds	1760 lm	3888 gr.

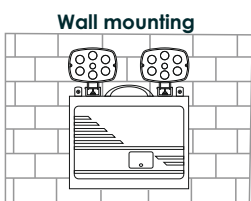
SINGLE-SIDE PICTOGRAMS FOR GRL-22

CODE	TYPE	DESCRIPTION	INCLUDED	ON DEMAND
807008019	S-00800/LO	Marking overlay with left indication	✓	
807008017	S-00800/RO	Marking overlay with right indication	✓	
807008021	S-00800/DO	Marking overlay with down indication	✓	
807008023	S-00800/UO	Marking overlay with up indication	—	

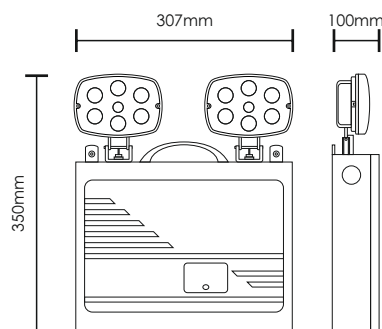
BATTERIES

CODE	TYPE	DESCRIPTION
603000645	A-988	Battery 6V/4,5Ah
603001270	A-986	Battery 12V/7Ah

Mounting method

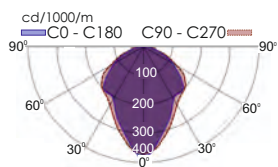


Dimensions Image 1 & 2

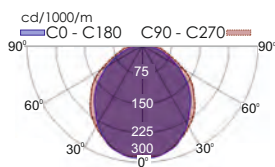


Photometric

GRL-21/H, GRL-37, GRL-38



GRL-21, GRL-22, GRL-29



Dimensions Image 3

