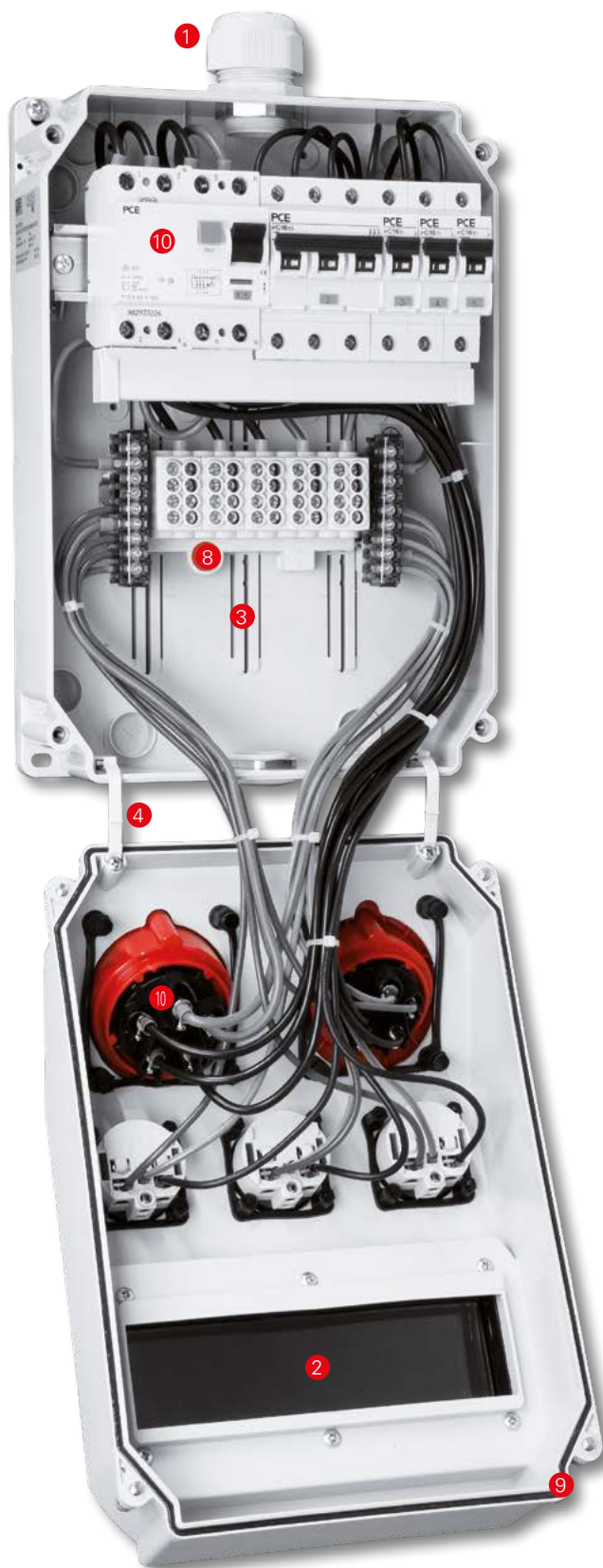


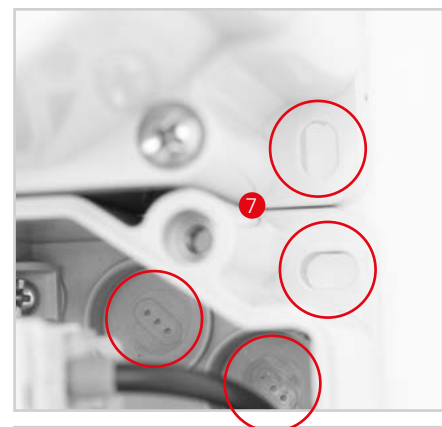
DELTA[^] detail



- 1 Cable entries up to max. M63, preferably from the top or bottom.
- 2 PCE hinged windows from 2 to 18 modules can be used in IP54 or IP66/67. The transparent protective, upward opening, cover of the window can be locked and sealed.
- 3 A variable groove shaped rail retention system on the inside floor allows optimum and individual positioning of the fittings, assembly plates, etc.
- 4 The cover and bottom part of the enclosure is connected by a flexible hinge, available in 2 different lengths.
- 5 The enclosures can be optimally adapted to each other thanks to the straight housing walls.
- 6 All external screws are made from stainless steel to resist in especially demanding operating conditions.
- 7 Wall mounting is possible in- or outside the protective area.
- 8 Distribution box ready wired on main terminal
- 9 Use of high-quality foamed* polyurethane seals.
- 10 Any type of switchgears, socket devices, such as CEE sockets 16A 3p to 125A 5p and safety sockets (Austrian/German, French/Belgian, Danish, British or Swiss standards) can be used for assembling.
- 11 Metric thread insert made of brass**.

*) inserted in series Lech

**) with series Lech directly in the plastic



Thermoplastic insulated distribution boxes **DELTA**[▲]

Series ANIF4

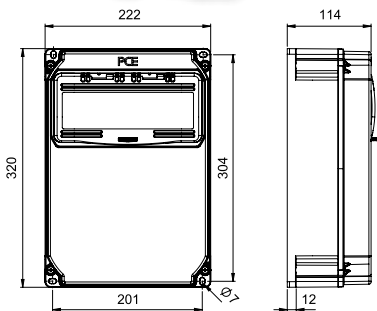


Series ANIF4

- **Socket outlet combination acc. EN 61439**
- Housing made of high durable PC/ABS, compact design
- **Dimensions HxWxD = 320x222x114 mm**
- Switchgear up to 10 modules, behind transparent window
- Ready wired for connection
- **IP54** (IP67 on request)

Standard version:

- All outer metal parts made out of stainless steel, captive screws
- Switchgear built in under impact resistant window
- Ready wired on main connecting terminal for wiring through (max. 5x25mm² / 5x16mm² YF)
- Opening for cable gland on top, blind cap on bottom
- CEE-sockets and safety sockets made of PA6, contacts nickel plated, sockets individual exchangeable



Layout examples: (other combinations on request!)

Layout	CEE 400V 5p			SS 250V	Protection		Connection	InA RDF	Cat.No.
	63A	32A	16A	16A	RCD	MCB			
			2	4		2xMCB 16A 3p-C 4xMCB 16A 1p-B	1xM25 (hole) top 1xM25 (blind cap) bottom	InA 32A RDF 0,5	9134029
		1	1	3		1xMCB 32A 3p-C 1xMCB 16A 3p-C 4xMCB 16A 1p-B	1xM32 (hole) top 1xM32 (blind cap) bottom	InA 40A RDF 0,5	9134227
		1	1	4	1xRCD 63A/4/0.03A (TYPE A 40AT)	1xMCB 16A 3p-C 2xMCB 16A 1p-B	1xM25 (hole) top 1xM25 (blind cap) bottom	InA 32A RDF 0,7	9134520
				CEE 16A 3p 4*	4xRCBO 16A 2p C 30mA TYPE A		1xM25 cable gland (ø13-18mm) bottom 4xCEE-sockets 16A 3p 230V lockable with padlock	InA 32A RDF 0,7	9134194

- * Lockable CEE sockets (16A 3p 230V) can be locked with padlock (size 30 or 40mm). Hinged window can also be locked with padlock. Perfectly suited for special occasions! e.g.: camping / marina,...



9134194

InA= Rated current of switchgear and control gear assembly; RDF = Rated diversity factor