

30MB208

Standard cable entries pre-punched

VARIABOX -S

Top: 1xM12, 1xM20, 2xM25 or 2xM32
Bottom: 1xM12, 1xM20, 2xM25 or 2xM32

30MB207

Standard cable entries pre-punched

VARIABOX -M

Top: 1xM12, 1xM20, 2xM32 or 2xM40
Bottom: 1xM12, 1xM20, 2xM32 or 2xM40

30MB206

Standard cable entries pre-punched

VARIABOX -L

Top: 1xM12, 1xM20, 2xM40
Bottom: 1xM12, 1xM20, 2xM40

30MB205

Standard cable entries pre-punched

VARIABOX -XL

Top: 1xM12, 1xM20, 2xM40
Bottom: 1xM12, 1xM20, 2xM40

30MB204

Standard cable entries pre-punched

VARIABOX -XXL

Top: 1xM12, 1xM20, 2xM40
Bottom: 1xM12, 1xM20, 2xM40

30MB214

Standard cable entries pre-punched

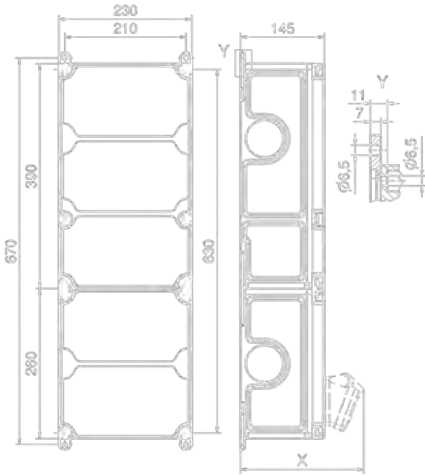
VARIABOX -L DUO

Top: 1xM12, 1xM20, 2xM40
Bottom: 1xM12, 1xM20, 2xM40

Table X-dimension

Components	Oper. window	Domestic socket		CEE 16A 3-pole		CEE 16A 4-pole		CEE 16A 5-pole		CEE 32A, 3/4-pole		CEE 32A 5-pole		CEE 63A	
Protection class		IP44	IP67	IP44	IP67	IP44	IP67	IP44	IP67	IP44	IP67	IP44	IP67	IP44	IP67
Depth X	180	162	205	200	200	204	202	207	205	211	213	213	214	229	231

Technical changes possible.



depth # in (mm)	width
IP44	194
OTC operating window	180
domestic socket	162
CEE 16A 3p	200
CEE 16A 4p	204
CEE 16A 5p	207
CEE 32A 3p/4p	211
CEE 32A 5p	218
CEE 63A 3p/4p/5p	229

- Dimension of enclosure: 650 x 230 mm
- Housing made of high-grade, impact-resistant plastic
- Hinged enclosure cover
- Top and bottom can be sealed together
- With external and internal fastening
- User-friendly OTC operating window
- Permanently attached cover screws
- Coded flange plate system for maximum safety during initial installation and maintenance
- Top section straight, CEE sockets angled
- All CEE sockets with screwless, maintenance-free QUICK-CONNECT technology
- Colours: bottom - black, top - electro-grey (enclosure top optionally available in the colours yellow, red, blue or silver)
- Accessories: see page 136

30 MB 204

VARIABOX -XXL



Order no. 89127
Components:
4 domestic sockets 16A, 230V ~
(system F - German earthing System)
3 CEE sockets 16A, 400V, 5p
Fuse:
4 C-type MCBs 16A, 1p
3 C-type MCBs 16A, 3p
1 RCCB 63/0.03A, 4p
Cable entry at top and bottom:
each with 1x M12, 1x M20, 2x M40
Connection option:
for 2 cables up to 5 x 25 mm ²

VARIABOX -XXL



Order no. 89122
Components:
6 CEE sockets 16A, 230V, 3p
Fuse:
6 C-type MCBs 16A, 1p
6 RCCB 25/0.03A, 2p
Cable entry at top and bottom:
each with 1x M12, 1x M20, 2x M40
Connection option:
for 2 cables up to 5 x 25 mm ²

VARIABOX -XXL



Order no. 89120
Components:
6 domestic sockets 16A, 230V ~
(system F - German earthing System)
1 CEE socket 16A, 400V, 5p
1 CEE socket 32A, 400V, 5p
Fuse:
6 C-type MCBs 16A, 1p
1 C-type MCB 16A, 3p
1 C-type MCB 32A, 3p
1 RCCB 63/0.03A, 4p
Cable entry at top and bottom:
each with 1x M12, 1x M20, 2x M40
Connection option:
for 2 cables up to 5 x 25 mm ²

VARIABOX -XXL



Order no. 89119
Components:
4 domestic sockets 16A, 230V ~
(system F - German earthing System)
2 CEE sockets 16A, 400V, 5p
1 CEE socket 32A, 400V, 5p
Fuse:
4 C-type MCBs 16A, 1p
2 C-type MCBs 16A, 3p
1 C-type MCB 32A, 3p
1 RCCB 63/0.03A, 4p
Cable entry at top and bottom:
each with 1x M12, 1x M20, 2x M40
Connection option:
for 2 cables up to 5 x 25 mm ²

VARIABOX -XXL



Order no. 89142
Components:
3 domestic sockets 16A, 230V ~
(system F - German earthing System)
2 CEE sockets 16A, 400V, 5p
2 CEE sockets 32A, 400V, 5p
Fuse:
3 C-type MCBs 16A, 1p
2 C-type MCBs 16A, 3p
2 C-type MCBs 32A, 3p
1 RCCB 63/0.03A, 4p
Cable entry at top and bottom:
each with 1x M12, 1x M20, 2x M40
Connection option:
for 2 cables up to 5 x 25 mm ²

VARIABOX -XXL



Order no. 89123
Components:
2 domestic sockets 16A, 230V ~
(system F - German earthing System)
1 CEE socket 16A, 400V, 5p
1 CEE socket 32A, 400V, 5p
1 CEE socket 63A, 400V, 5p
Fuse:
2 C-type MCBs 16A, 1p
1 C-type MCB 16A, 3p
1 C-type MCB 32A, 3p
1 Neozed D02, 3p
1 RCCB 63/0.03A, 4p
Cable entry at top and bottom:
each with 1x M12, 1x M20, 2x M40
Connection option:
for 2 cables up to 5 x 25 mm ²