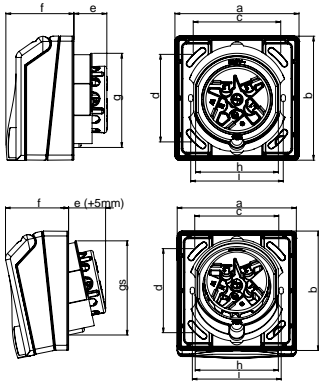


'HVLJQ 6RFNHW

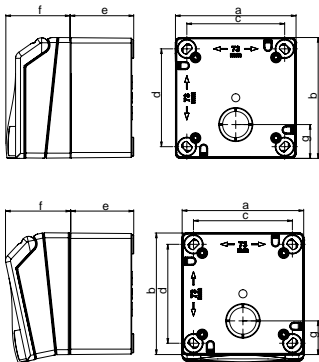


)ODQJHG VRFNHW

	\$ P S			\$ P S	SSD
3ROHV	3	4	5	5	2P+E
)ODQJH D [E [mm]	90	90	90	90	90
)L[LQJ FHQWHU F [mm]	60	60	60	60	60
H [mm]	23	24	24	36	16
I [mm]	48	48	48	48	48
J [mm]	66	66	69	78	66
J V [mm]	69	69	72	78	69
K [mm]	63	63	63	74	63
L [mm]	67	67	67		67
:LUH 2H[LEΦH [mm]	1-2,5			2,5-6	1-2x2,5
:LUH VROIG [mm] KW LJ [mm]				2,5-10	1-2x2,5
&RQWDFW VFUHZV [mm]				110	80
:HLJKW [g]	196	215	231	290	159

- with screw terminals for wiring through
 - housing material: PC/ABS
 - contacts: nickel-plated contacts
 - Flange can be rotated by 180°- straight and sloping design all in one!
 - suitable for installation of cable conduits
 - 16A sockets: installation also possible in customary cavity wall and concrete
- VRFNHWV ZLWK 1[LQJ FHQWHU a ZLWK LQVFULSWLRQ 1HOG

IP44 splashproof

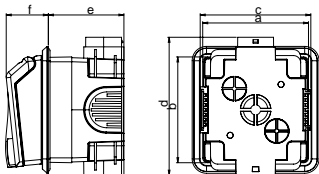


6XUIDFH RXWOHW

	\$ P S			\$ P S	SSD
3ROHV	3	4	5	5	2P+E
)ODQJH D [E [mm]	90	90	90	90	90
)L[LQJ FHQWHU F [mm]	73	73	73	73	73
H [mm]	47	47	47	47	47
I [mm]	48	48	48	48	48
J [mm]	25	25	25	25	25
:LUH 2H[LEΦH [mm]	1-2,5			2,5-6	1-2x2,5
:LUH VROIG [mm] KW LJ [mm]				2,5-10	1-2x2,5
&RQWDFW VFUHZV [mm]				110	80
:HLJKW [g]	282	302	318	376	245

- with screw terminals for wiring through
 - housing material: PC/ABS
 - contacts: nickel-plated contacts
 - Flange can be rotated by 180°- straight and sloping design all in one!
 - possible entry on the other with cutout
- a RQH VLGH HQWU\ ZLWK R3VH a ZLWK LQVFULSWLRQ 1HOG

IP44 splashproof



)OXVK RXWOHW

	\$ P S			\$ P S	SSD
3ROHV	3	4	5	5	2P+E
)ODQJH D [E [mm]	90	90	90	90	90
)L[LQJ FHQWHU F [mm]	92	92	92	92	92
)L[LQJ FHQWHU G [mm]	115	115	115	115	115
H [mm]	64	64	64	64	64
I [mm]	35	35	35	35	35
:LUH 2H[LEΦH [mm]	1-2,5			2,5-6	1-2x2,5
:LUH VROIG [mm] KW LJ [mm]				2,5-10	1-2x2,5
&RQWDFW VFUHZV [mm]				110	80
:HLJKW [g]	278	298	313	373	240

- with screw terminals for wiring through
- housing material: PC/ABS
- contacts: nickel-plated contacts
- entry from top, bottom, side or rear by cutout
- a LQ URZV FRPELQDEOH ZLWK vertical insertion
- a ZLWK LQVFULSWLRQ 1HOG
- a ZLWK LQWHJUDWHG FRYHU inclination of 6°- small projection (35mm)

IP44 splashproof



Safe against ball throwing

All Design Sockets are safe against ball throwing according to DIN 18032 for the special application in sports halls.

)ODQJH FDQ EH URWDWHG E\ VWUDLJKW DQG VORSLQJ GHVLJQ DOO LQ RQH



Amp.	Poles	pack. unit	110V~		
			50/60Hz 4h	50/60Hz 3p=6h 4p+5p= 9h	50/60Hz 3p= 9h 4p+5p= 6h
			Cat.No.	Cat.No.	Cat.No.
			(CEE-socket)	(CEE-socket)	(CEE-socket)
16	3	6	843-4v	843-6v	843-9v
16	4	6	844-4v	844-9v	844-6v
16	5	6	845-4v	845-9v	845-6v
32	5	6	855-4v	855-9v	855-6v
16	2P+E	6			

250V~

50/60Hz
2P+E

Cat.No.

(with safety socket acc.
Austrian/German system)

8430v



16	3	6	863-4v	863-6v	863-9v
16	4	6	864-4v	864-9v	864-6v
16	5	6	865-4v	865-9v	865-6v
32	5	6	875-4v	875-9v	875-6v
16	2P+E	6			

8630v



16	3	6	883-4v	883-6v	883-9v
16	4	6	884-4v	884-9v	884-6v
16	5	6	885-4v	885-9v	885-6v
32	5	6	895-4v	895-9v	895-6v
16	2P+E	6			

8830v



,QVFULSWLRQ 1HOG DV VWDQGDUG
LQFO SDSHU LQVHUW

Flush socket outlet projection



All Design Sockets are available in the following colors: white (= standard) and light grey:

To order white, just choose the above mentioned numbers	e.g. 845-6v	RAL 9016
To order light grey add „J“	e.g. 845-6 Jv	RAL 7035

