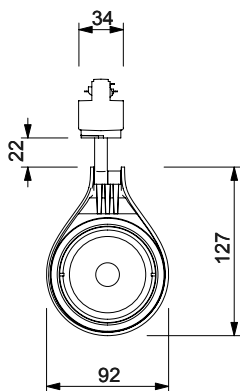
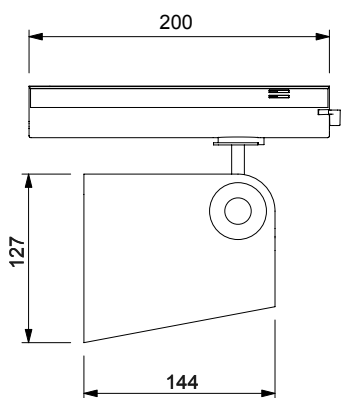
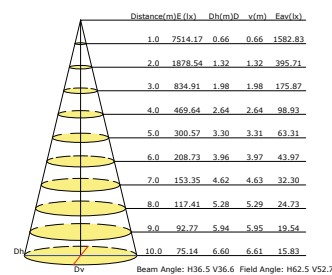
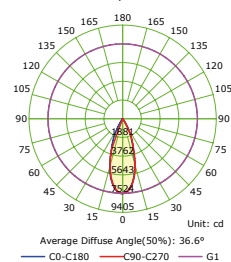


7315 Blanco-White  
LED 35W 3000k 3500lm

7316 Blanco-White  
LED 35W 4000k 3850lm



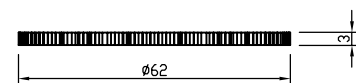
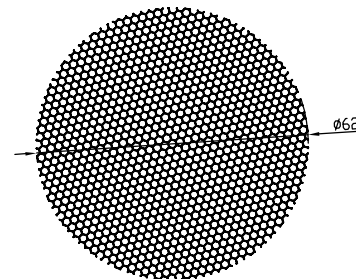
Luminous Intensity Distribution Curve



Lentes-Lens  
ref 7319\_13°  
ref 7320\_24°  
ref 7321\_38° Included.



Panel de abeja-Honeycomb  
ref 7322



TIR LENS

LED life / LED vida  
50.000 h

ON / OFF  
30.000

garantía manfrecor  
5 años  
WARRANTY  
GARRANTIA  
LED

LED INCLUDED



IP20

