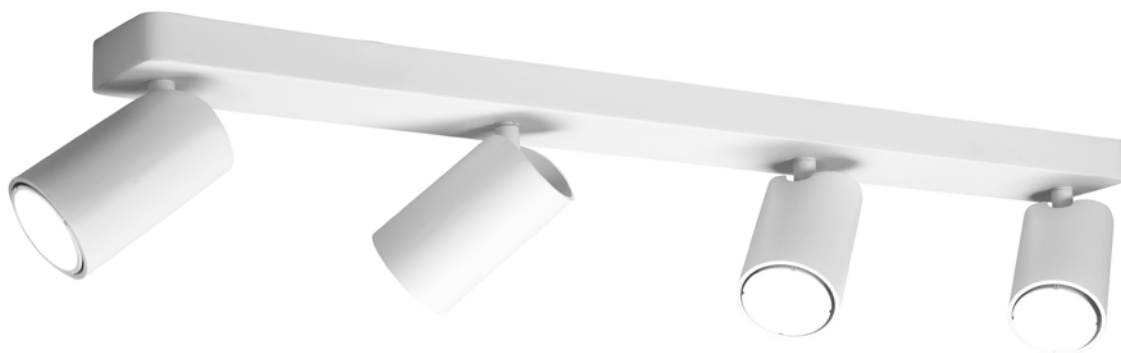
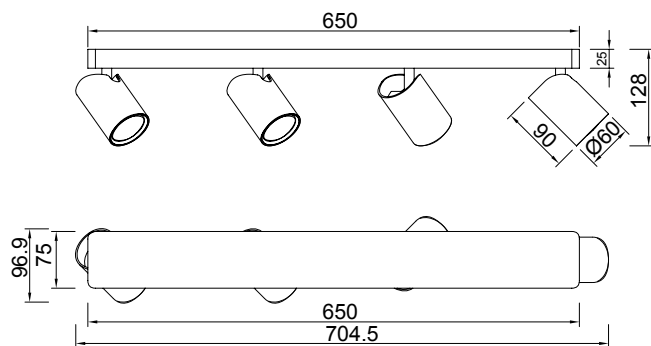


**6280** Blanco Mate-Matt White  
4L×GU10



**6710** Negro Mate-Matt Black  
4L×GU10



Aluminio-Aluminium 100-240V~ 50/60Hz máx. 10 WLED

