

## RBK 4a (1250 A, 500 V; 1600 A, 400 V)



RBK 4a  
for installation on mounting plate

Table 98. Technical data

Parameter	RBK 4a	
Rated thermal current $I_{th}$	A	1250 1600
Utilization category	-	AC-22B AC-21B
Rated switching voltage $U_e$	V	500 400
Rated switching current $I_e$	A	1250 1600
Rated short circuit withstand current	kA	50
Rated insulation voltage $U_i$	V	800
Rated impulse withstand voltage $U_{imp}$	kV	8
Rated frequency	Hz	50-60
Mechanical durability		600
Electrical durability		100
IP degree of protection		IP20
Size of fuse links		4a

Table 99. Versions

RBK 4a		Weight	Cable terminal	Article No.
RBK 4a/1250/1	ONE POLE SWITCHING - each phase independently, for connection of conductors with lug terminals	4,2 kg	screws	63-946868-001
RBK 4a/1250/3	THREE POLE SWITCHING - all phases simultaneously, for connection of conductors with lug terminals	13,0 kg	screws	63-946868-002
RBK 4a/1600/1	ONE POLE SWITCHING - each phase independently, for connection of conductors with lug terminals	5,0 kg	screws	63-946869-001
RBK 4a/1600/3	THREE POLE SWITCHING - all phases simultaneously, for connection of conductors with lug terminals	14,0 kg	screws	63-946869-002

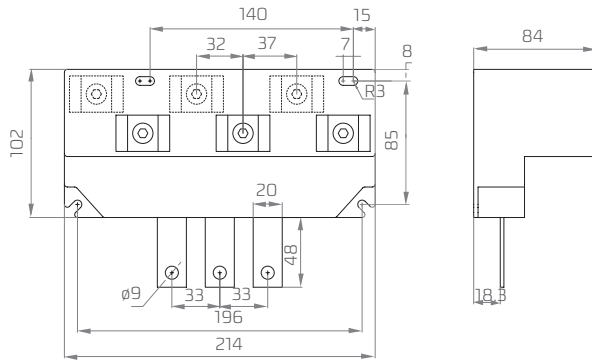
Table 100. RBK 4a terminal clamps

Description	RBK 4a 1250	RBK 4a 1600
Clamp	M16 x 50 screw	2 x M12 x 60 screw
Drawing of clamp		
Cross-section of conductors	conductor with lug terminal up to 800 mm <sup>2</sup>	
Cu bar	2 x 80 x 10	
Tightening torque	56 Nm*	
Dimensions and spacing of holes for installation of RBK 4a on mounting plate		

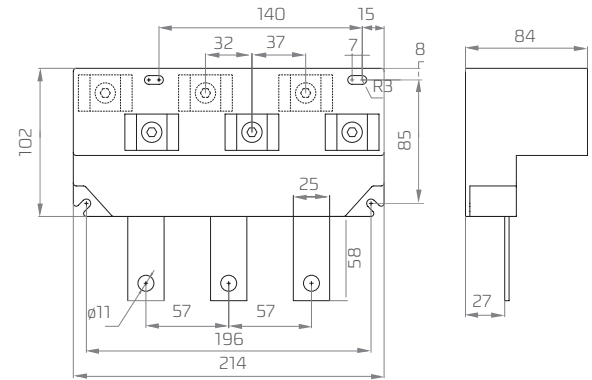
\*using of tension wrench is recommended

Terminal adapters:

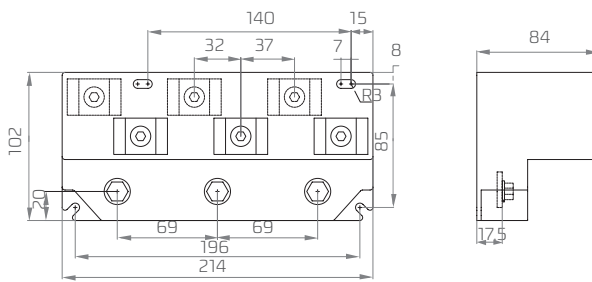
RBK 00



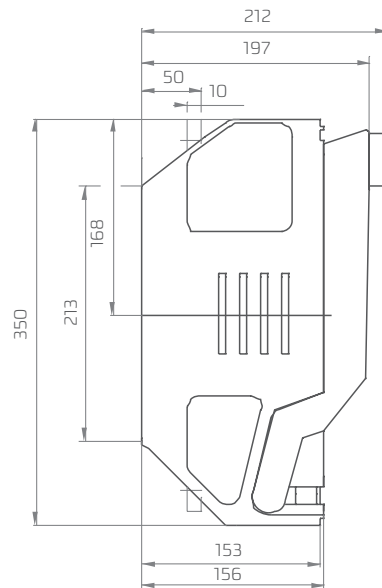
RBK 1



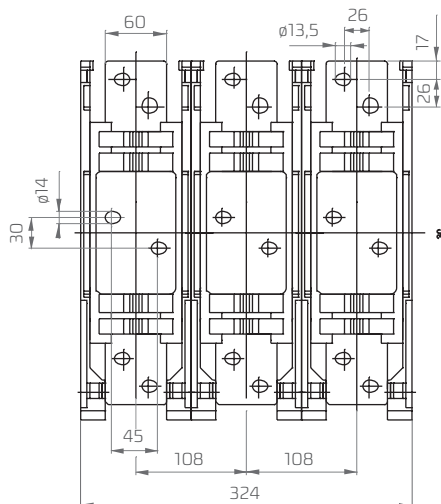
RBK 2



RBK 4a



RBK 4a 1600



RBK 4a 1250

