

## RBK 00 (160 A, 690 V)

Table 103. Technical data

Parameter			RBK 00
Rated thermal current $I_{th}^{1)}$	A		160
Rated voltage $U_n$	V		690
Utilization category	-		AC-22B
Rated switching current $I_e$	A		160
Rated switching voltage $U_e$	V		690
Rated short circuit making current	690 V	kA	80
	500 V		-
	400 V		100
Rated short circuit withstand current	690 V	kA	80
	500 V		-
	400 V		100
Rated insulation voltage $U_i$	V		1000
Rated impulse withstand voltage $U_{imp}$	kV		8
Rated frequency	Hz		50-60
Mechanical durability	Number of cycles		1600
Electrical durability			200
IP degree of protection	IP		IP20
Weight	kg		~0,65
Size of fuse links	-		00

<sup>1)</sup>  $I_{th}$  - thermal current of fuse switch disconnecter without external enclosure, installed outdoors  
(In case of the installation of fuse switch disconnectors in enclosures then load factor should be considered)



RBK 00  
for installation on mounting plate

RBK 00

Table 104. Versions

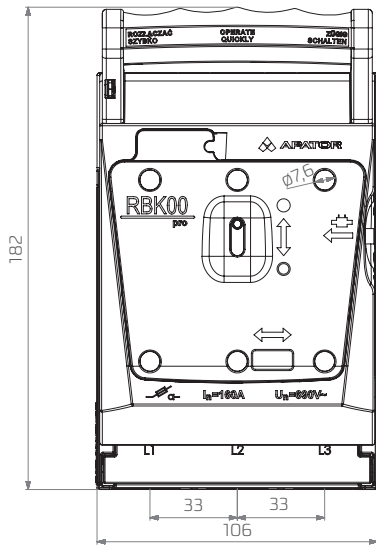
RBK 00/160 A		Cable termina	Article No.
RBK 00	for connection of round conductors	S-bridge clamps	63-823333-111
RBK 00-M	for connection of conductors with lug terminals	M8 screws	63-823333-121
RBK 00-V	for connection of sectorshaped conductors	V-shape clamps	63-823333-131
RBK 00-W	for connection of round conductors, lenghtened terminal shrouds	S-bridge clamps	63-823333-141
RBK 00-M-W	for connection of conductors with lug terminals, lenghtened terminal shrouds	M8 screws	63-823333-151
RBK 00-V-W	for connection of sectorshaped conductors, lenghtened terminal shrouds	V-shape clamps	63-823333-161

Table 105. RBK 00 terminal clamps

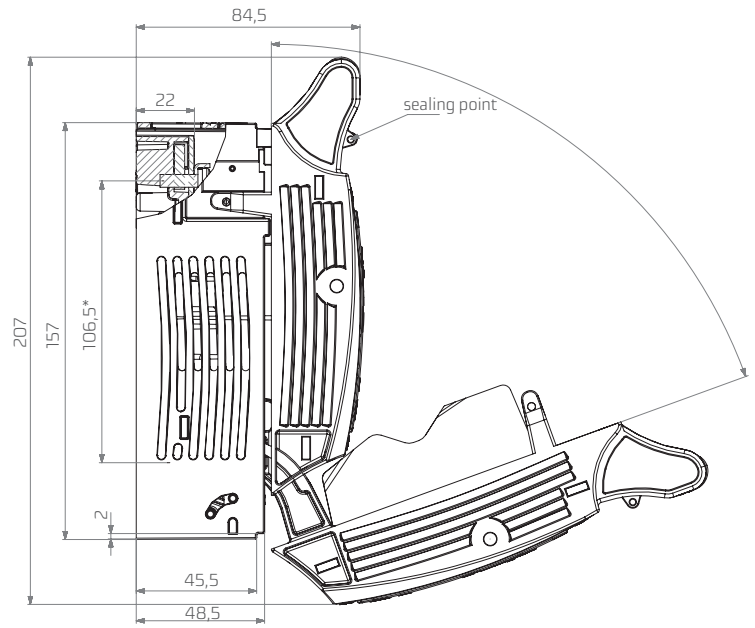
Description	RBK 00			Dimensions and spacing of holes for installation of RBK 00 on mounting plate
	S-bridge clamp 2 x M5 x 16	M8 x 16 screw	V-shape clamp 2 x M5 x 20	
Drawing of clamp				
Cross-section of conductors	Cu/Al conductor 4 ÷ 50 mm <sup>2</sup>	conductor with lug terminal up to 70 mm <sup>2</sup>	① ● 1,5 mm <sup>2</sup> - 2,5 mm <sup>2</sup> ② ◐ 4 mm <sup>2</sup> - 70 mm <sup>2</sup> ◑ 4 mm <sup>2</sup> - 95 mm <sup>2</sup>	
Cu bar	maximum bar width 20 mm			
Tightening torque	3 Nm*	10 Nm*	3 Nm*	

For stranded conductors using cable ferrules is recommended  
\*using of tension wrench is recommended

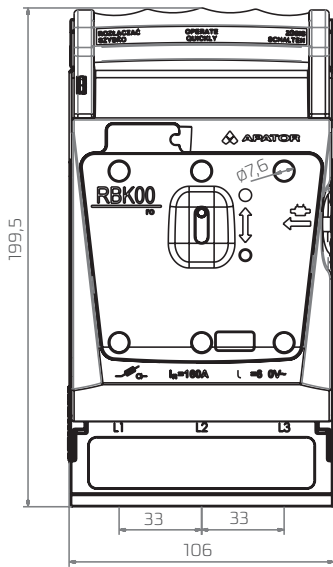
RBK 00 / RBK 00 pro



\*122.5 mm for M screw terminal (for busbar and lug terminal)



RBK 00-W / RBK 00 pro-W,



\*122.5 mm for M screw terminal (for busbar and lug terminal)

