

RBK 000 pro (160 A, 690 V)



RBK 000 pro
for installation on mounting plate

Table 76. Technical data

Parameter		RBK 000 pro / RBK 000 pro-S				
Rated thermal current $I_{th}^{1)}$	A	160				
Rated voltage U_n	V	690				
Utilization category	-	AC-23B	AC-22B	AC-22B	AC-21B	DC-21B
Rated switching current I_e	A	100	100	160	160	160
Rated switching voltage U_e	V	400	690	400	690	250
Rated short circuit making current	690 V	kA	25			25/ 250V
	500 V		80			
	400 V		-			
Rated short circuit withstand current	690 V	kA	25			25/ 250V
	500 V		80			
	400 V		-			
Rated insulation voltage U_i	V	1000				
Rated impulse withstand voltage U_{imp}	kV	8				
Rated frequency	Hz	50-60				-
Mechanical durability	Number of cycles	2000			1600	
Electrical durability		300			200	
IP degree of protection	IP	20				
Weight	kg	~0,6, ~0,9				
Size of fuse links	-	000				

¹⁾ I_{th} - thermal current of fuse switch disconnecter without external enclosure, installed outdoors
(In case of the installation of fuse switch disconnecters in enclosures then load factor should be considered)

Table 77. Versions

RBK 000 pro/160 A		Cable terminal	Article No.	
For installation on mounting plate				
RBK 000 pro	for connection of round conductors	S-bridge clamps	63-823191-011	
RBK 000 pro-E	for connection of round conductors, possible installation on DIN rail	S-bridge clamps	63-823191-051	
RBK 000 pro-M	for connection of round conductors with lug terminals	M8 screws	63-823191-021	
RBK 000 pro-M-E	for connection of round conductors with lug terminals, possible installation on DIN rail	M8 screws	63-823191-061	
RBK 000 pro-W	for connection of round conductors, lengthened terminal shrouds	S-bridge clamps	63-823191-071	
RBK 000 pro-W-M	for connection of round conductors with lug terminals, lengthened terminal shrouds	M8 screws	63-823191-081	
For installation on to 60 mm busbar system				
APASYS 60	RBK 000 pro-SD	Cable terminal – bottom, for connection of round conductors	S-bridge clamps	63-823234-031
	RBK 000 pro-SG	Cable terminal – top, for connection of round conductors	S-bridge clamps	63-823234-011
	RBK 000 pro-SD-M	Cable terminal – bottom, for connection of conductors with lug terminals	M8 screws	63-823234-041
	RBK 000 pro-SG-M	Cable terminal – top, for connection of conductors with lug terminals	M8 screws	63-823234-021

Table 78. RBK 000 pro terminal clamps

Description	Clamp	Drawing of clamp	Cross-section of conductors	Cu bar	Tightening torque	Dimensions and spacing of holes for installation of RBK 000 on mounting plate
RBK 000 pro	S-bridge clamp 2 x M5 x 16		Cu/Al conductor 1,5 ÷ 35 mm ²	maximum bar width 15 mm	3 Nm*	
	M8 x 16 screw		conductor with lug terminal up to 70 mm ²		10 Nm*	

For stranded conductors using cable ferrules is recommended
*using of tension wrench is recommended



RBK 000 pro-E
for mounting on DIN rail



RBK 000 pro
for installation on mounting plate with additional terminal shrouds

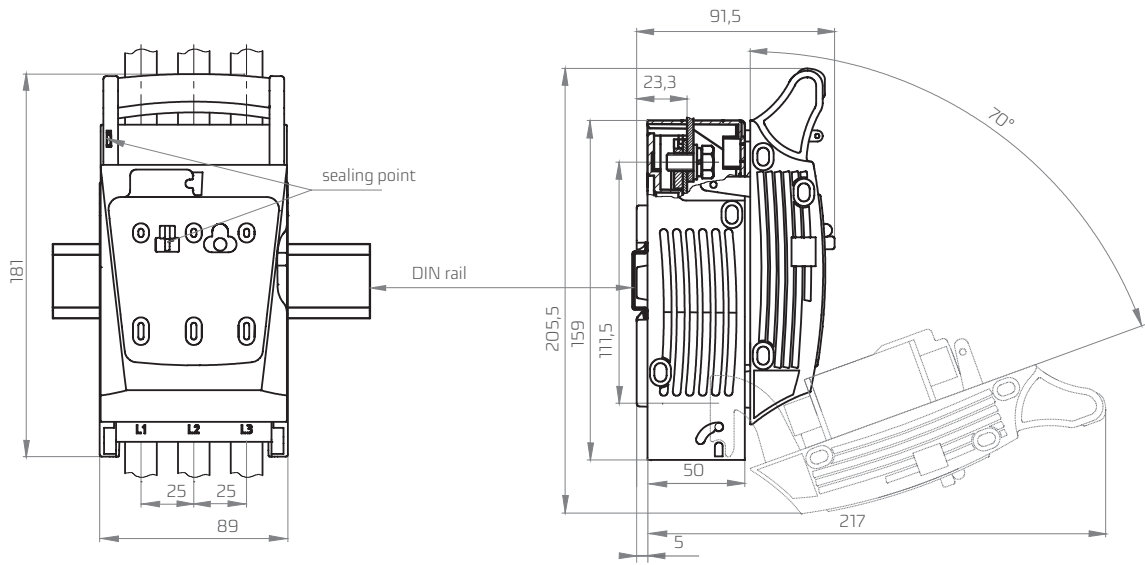


RBK 000 pro-W
for installation on mounting plate with extended terminal shrouds

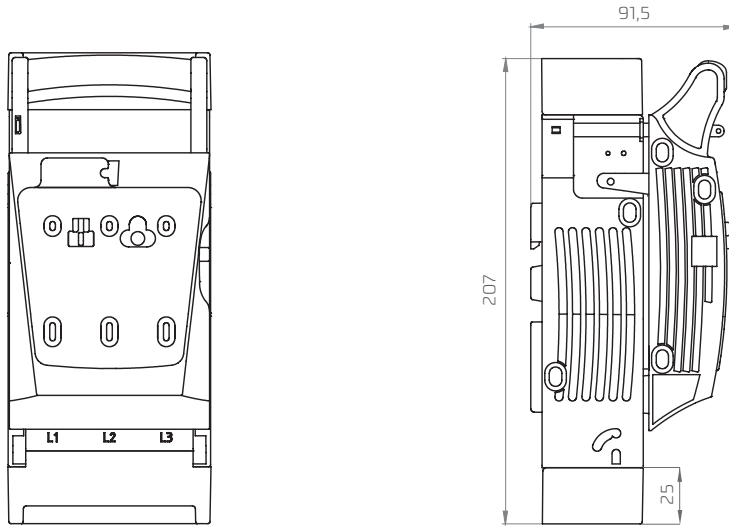


RBK 000 pro-SG (top cable terminals)
RBK 000 pro-SD (bottom cable terminals)
for installation on to 60 mm busbar system

RBK 000 pro
RBK 000 pro-E



RBK 000 pro-O



RBK 000 pro-W

