

CONSTRUCTION & APPLICATIONS

PBD fuse base consist of flame retardant thermoplastic base with spring-loaded contacts designed to be engaged with the blade contacts of NH fuse link. Contacts of sizes 00, 1, 2 are tin plated, contacts of size 3 are silver plated. On request contacts of sizes 00, 1, 2 are plated with silver.

PBD fuse-bases are designed for installation indoors, in environment free of dust, aggressive or explosive gases:

- junction boxes,
- supply points,
- distribution boards,
- capacitor bank protection.

OPERATING CONDITIONS

- altitude up to 2000 meters above sea level,
- ambient temperature from -25°C to +55°C,
- for outdoors installation PBD fuse basess should be mounted in cabinets with protection degree IP34 or higher.

CONFORMITY WITH STANDARDS

IEC 60269-1, PN-HD 60269-2:2008, PN-EN 60269-1:2010

VERSIONS

PBD fuse bases are designed for fuse links size 00-3. There are following versions:

- size 00 - 160 A
 - with double side screw terminals for lug terminal or busbar - fuse base 1-pole PBD 00, fuse base 3-poles PBD 003 HH,
 - with V-terminal from one side and screw terminal from opposite side - fuse base 1-pole PBD 00-1V, fuse base 3-poles PBD 00 3-1V,
 - with both sides V-terminals - fuse base 1-pole PBD 00-2V, fuse base 3-poles PBD 00 3-VV,
 - the possibility of using fuse links size 00 and 000.
- size 1 – 250 A
 - with double side screw terminals for lug terminal or busbar - fuse base 1-pole PBD 1, fuse base 3-poles PBD 13,
 - with V-terminal from one side and screw terminal from opposite side - fuse base 1-pole PBD 1-1V, fuse base 3-poles PBD 13-1V,
 - with both sides V-terminals - fuse base 1-pole PBD 1-2V, fuse base 3-poles PBD 13-2V.
- size 2 – 400 A
 - with double side screw terminals for lug terminal - fuse base PBD 2,
 - with V-terminal from one side and screw terminal from opposite side - fuse base PBD 2-1V,
 - with both sides V-terminals - fuse base PBD 2-2V.
- size 3 – 630 A
 - with double side screw terminals for lug terminal - fuse base PBD 3.

V-terminals with V-clamps enable connection of circular or sector-shaped conductors.



PBD 1-2V

PBD 2-1V

PBD 3

PBD 003 HH

PBD 003 VV



Table 115. PBD fuse bases for WTNH fuse links

Article	Size	Rated current	Rated shortcircuit withstand current	Cable terminal	Rated power dissipation	Max crosssection of cable conductors	Weight [g]	Article No.
PBD 00	00	160 A	25 kA	screw terminals 	12 W	70 mm ²	90	1115281070T
PBD00VV	00	160 A	25 kA	V-terminals 	12 W	120 mm ²	90	1115281071T
PBD 00-1V	00	160 A	25 kA	Screw terminal, V-terminal  	12 W	70 mm ² 120 mm ²	90	1115281073T
PBD 003 HH	00	160 A	25 kA	screw terminals 	3 x 12 W	50 mm ²	500	1115 2810 42T
PBD 003 + shroud	00	160 A	25 kA	screw terminals 	3 x 12 W	50 mm ²	500	1115 2810 72T
PBD 003 1-V	00	160 A	25 kA	Screw terminal, V-terminal  	3 x 12 W	50 mm ²	500	1115 2810 80T
PBD 003 VV	00	160 A	25 kA	V-terminals 	3 x 12 W	120 mm ²	400	1115 2810 43T
PBD 1	1	250 A	40 kA	screw terminals 	32 W	120 mm ²	370	63-820991-011
PBD 1-1V	1	250 A	40 kA	Screw terminal, V-terminal  	32 W	120 mm ²	370	63-820991-021
PBD 1-2V	1	250 A	40 kA	V-terminals 	32 W	120 mm ²	370	63-820991-031
PBD 13	1	250 A	40 kA	screw terminals 	3 x 32 W	120 mm ²	1140	63-820995-011
PBD 13-1V	1	250 A	40 kA	Screw terminal, V-terminal  	3 x 32 W	120 mm ²	1120	63-820995-021
PBD 13-2V	1	250 A	40 kA	V-terminals 	3 x 32 W	120 mm ²	1140	63-820995-031
PBD 2	2	400 A	50 kA	screw terminals 	45 W	240 mm ²	520	63-820992-011
PBD 2-1V	2	400 A	50 kA	Screw terminal, V-terminal  	45 W	240 mm ²	520	63-820992-021
PBD 2-2V	2	400 A	50 kA	V-terminals 	45 W	240 mm ²	520	63-820992-031
PBD 3	3	630 A	65 kA	screw terminals 	60 W	240 mm ²	810	63-820998-011

PBD fuse bases are made of self extinguishing, fibre glass strenghtened polyester. Mechanical durability: 250 cycles.

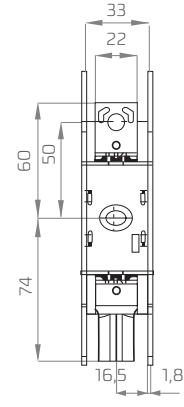
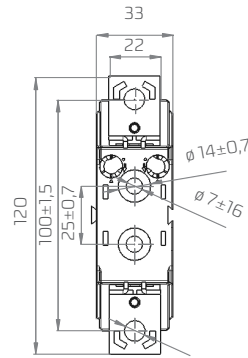
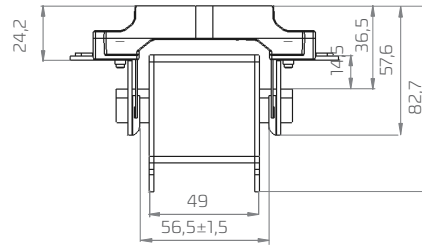
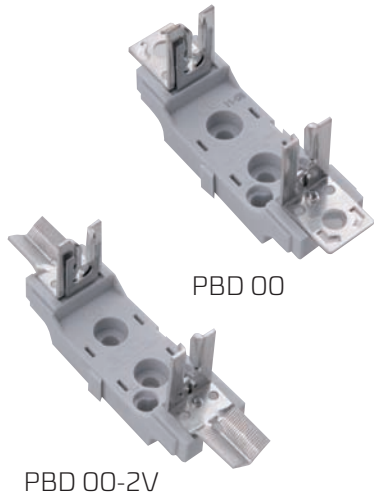
Delivered with set of:

- screws for screw terminals insulation barriers
- for 3 - pole fuse bases e.g. PBD 003, PBD13

PBD fuse base size	Tightening torque (Nm)	
		
00 \ 003	10	20
1	32	30
2	32	30
3	56	30

DIMENSIONS OF PBD FUSE BASES

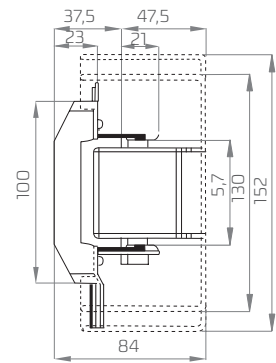
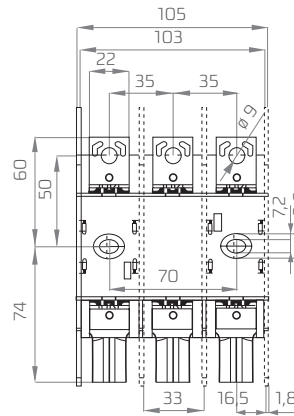
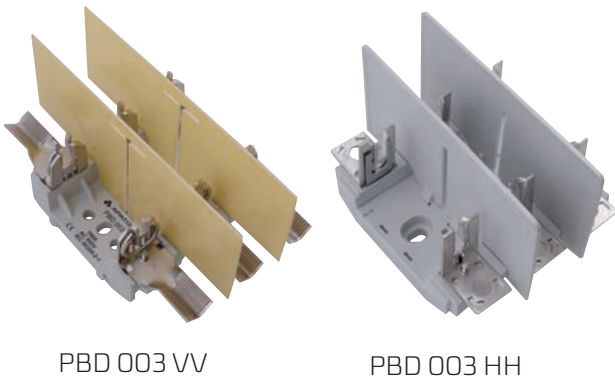
PBD fuse bases of size 00 - 1 - pole



PBD 00

PBD 00-1V

PBD fuse bases of size 00 - 3 - pole

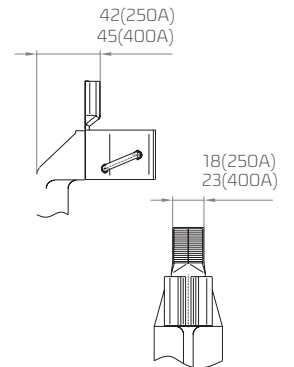
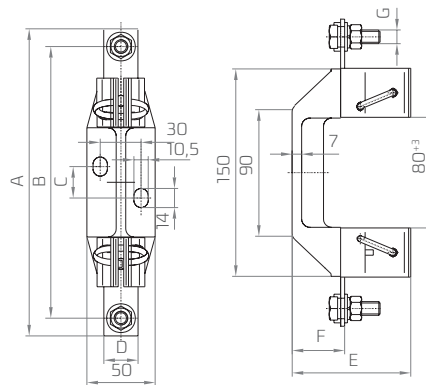
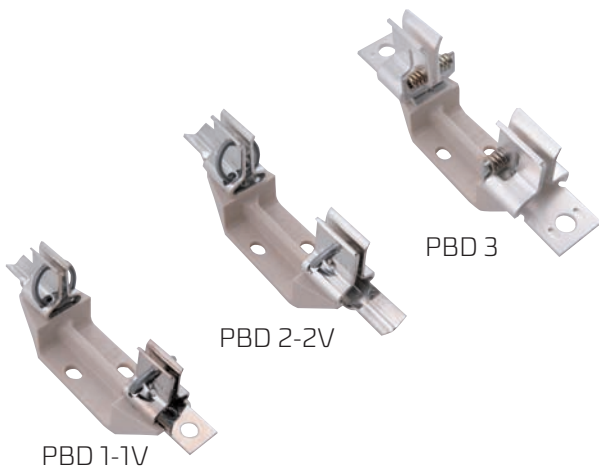


PBD 003 VV

PBD 003 HH

PBD 003-1V

PBD fuse bases of size 1, 2, 3 - 1 - pole



PBD 1-1V

PBD 2-2V

PBD 3