

## RBK 1 (250 A, 690 V)



RBK 1  
for installation on mounting plate

Table 106. Technical data

| Parameter                                 |                  | RBK 1  |
|---|------------------|--------|
| Rated thermal current $I_{th}^{(1)}$      | A                | 250    |
| Rated voltage $U_n$                       | V                | 690    |
| Utilization category                      | -                | AC-22B |
| Rated switching current $I_e$             | A                | 250    |
| Rated switching voltage $U_e$             | V                | 690    |
| Rated short circuit making current        | 690 V            | 80     |
|   | 500 V            | -      |
|   | 400 V            | 100    |
| Rated short circuit withstand current     | 690 V            | 80     |
|   | 500 V            | -      |
|   | 400 V            | 100    |
| Rated insulation voltage $U_i$            | V                | 1000   |
| Rated impulse withstand voltage $U_{imp}$ | kV               | 8      |
| Rated frequency                           | Hz               | 50-60  |
| Mechanical durability                     | Number of cycles | 1600   |
| Electrical durability                     | Number of cycles | 200    |
| IP degree of protection                   | IP               | IP20   |
| Weight                                    | kg               | ~2     |
| Size of fuse links                        | -                | 1      |

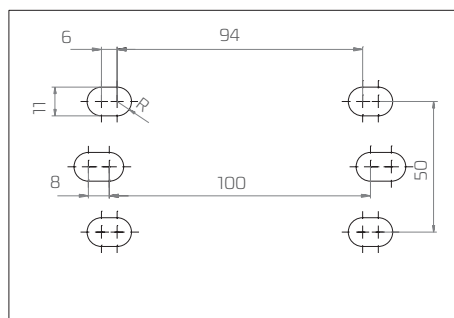
Table 107. Versions

| RBK 1/250 A |   | Cable terminals            | Article No.   |
|-------------|---|----------------------------|---------------|
| RBK 1       | For connection of round conductors  | S-bridge clamps            | 63-811779-011 |
| RBK 1-M     | For connection of conductors with lug terminals   | Screws                     | 63-811779-021 |
| RBK 1-V     | For connection of sector-shaped conductors  | V-clamps                   | 63-811779-031 |
| RBK 1 VG    | For connection of round conductors, top terminals -V-terminals, bottom terminals - S-bridge terminals | V-clamps / S-bridge clamps | 63-811784-051 |
| RBK 1 VG-M  | For connection of round conductors, top terminals -V-terminals, bottom terminals - screw terminals    | V-clamps / screws          | 63-811784-061 |
| RBK 1 VD    | For connection of round conductors, top terminals -S-bridge terminals, bottom terminals - V-terminals | S-bridge clamps / V-clamps | 63-811784-071 |
| RBK 1 VD-M  | For connection of round conductors, top terminals-screw terminals, bottom terminals - V-terminals     | screw terminals / V-clamps | 63-811784-081 |

Table 108. RBK 1 terminal clamps

| Description                 | RBK 1   | RBK 1-M   | RBK 1-V   |
|-----------------------------|---|---|---|
| Clamp                       | S-bridge clamp 2 x M8 x 30  | M10x25 screw  | V-clamp V HS 35-300-C   |
| Picture of a clamp          |  |  |    |
| Drawing of a clamp          |  |  |    |
| Cross-section of conductors | Cu/Al conductor<br>35 ÷ 120 mm <sup>2</sup>                                       | conductor with lug terminal<br>up to 120 mm <sup>2</sup>                          | V-clamp for direct fixing<br>of conductor with bare<br>end with cross-section of:<br>35 - 185 mm <sup>2</sup>  35 - 240 mm <sup>2</sup> <br>35 - 240 mm <sup>2</sup>  35 - 300 mm <sup>2</sup>  |
| Cu bar                      | maximum bar width 35 mm   |   |   |
| Tightening torque           | 10 Nm*  | 20 Nm*  | 30 Nm*  |

Dimensions and spacing of holes for installation of RBK 1 on mounting plate



\*using of tension wrench is recommended

\*\*for stranded conductors using cable ferrules is recommended



**RBK 1**  
for installation on mounting plate

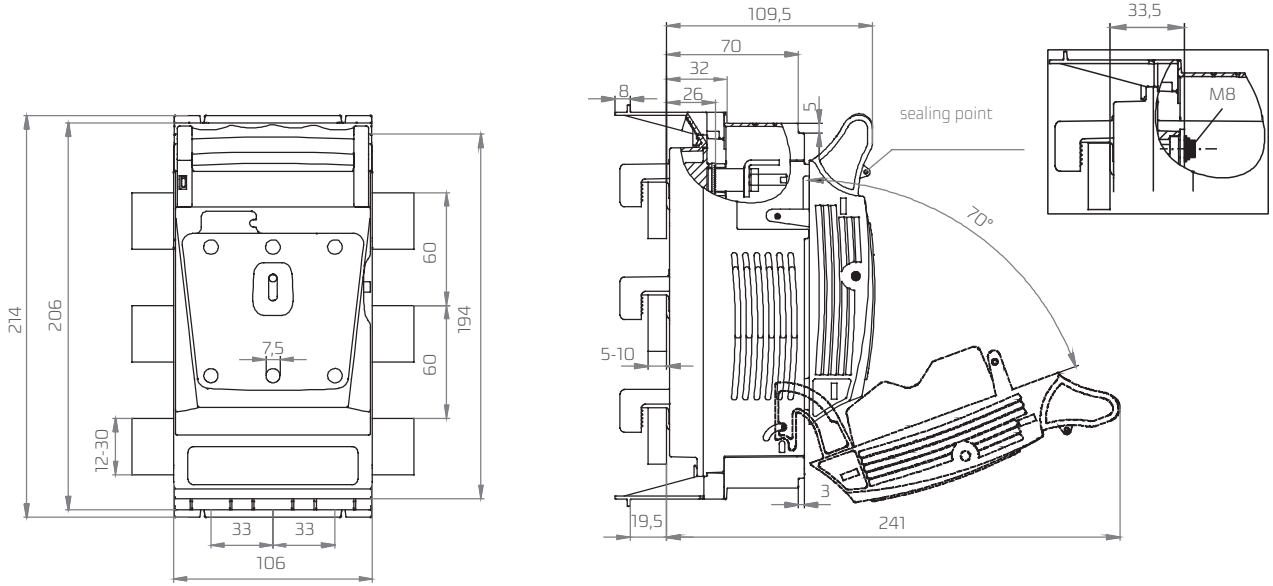


**RBK 1**  
for installation on mounting plate, with additional terminal shrouds

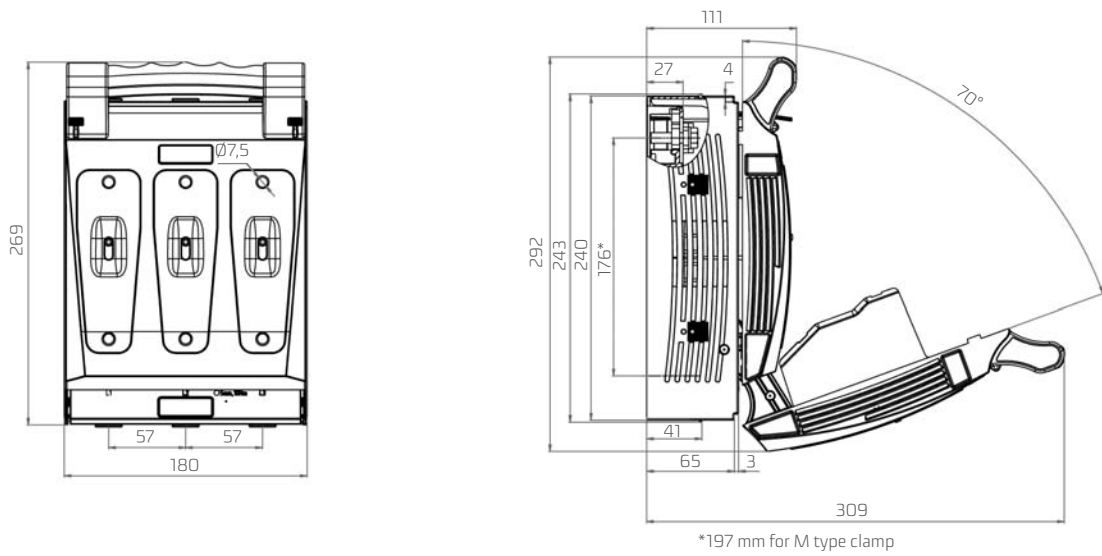


**RBK 1VD-M**  
for installation on mounting plate, picture of fuse switch disconnecter without fuse links cover and terminal shrouds, top cable terminal - M screws, bottom cable terminal - V-clamps, (RBK 1VG-M - bottom cable terminal - M screws, top cable terminal - V-clamps)

RBK 00 pro-S



RBK 1, RBK 1 pro



RBK 1 pro-V

