

RBK 3 pro (630 A, 690 V)

Table 95. Technical data

Parameter		RBK 3 pro			RBK 3 pro-S		
		AC-23B	AC-22B	DC-21B	AC-23B	AC-22B	DC-21B
Rated thermal current $I_{th}^{(1)}$	A	630			630		
Rated voltage U_n	V	690			690		
Utilization category	-	AC-23B	AC-22B	DC-21B	AC-23B	AC-22B	DC-21B
Rated switching current I_e	A	630	630	630	630	630	630
Rated switching voltage U_e	V	400	690	440	400	500	690
Rated short circuit making current	690 V	80		35/440V	80		
	500 V	-		-	-		
	400 V	-		-	-		
Rated short circuit withstand current	690 V	80		35/440V	80		
	500 V	-		-	-		
	400 V	-		-	-		
Rated insulation voltage U_i	V	1000			1000		
Rated impulse withstand voltage U_{imp}	kV	12			12		
Rated frequency	Hz	50-60	-		50-60		
Mechanical durability	Number of cycles	1000			1000		
Electrical durability	Number of cycles	200			200		
IP degree of protection	IP	20			20		
Weight	kg	~4,3			~4,9		
Size of fuse links	-	3			3		

¹⁾ I_{th} - thermal current of fuse switch disconnecter without external enclosure, installed outdoors
(In case of the installation of fuse switch disconnectors in enclosures then load factor should be considered)



RBK 3 pro
main version
for installation
on mounting plate

RBK 3 pro

Table 96. Versions

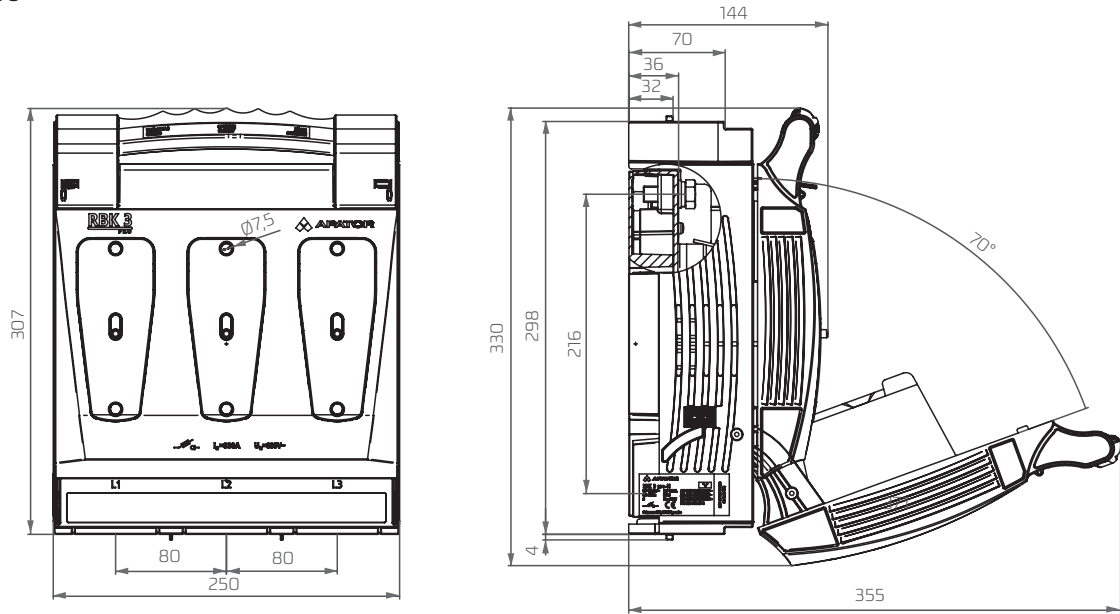
RBK 3 pro		Cable terminal	Article No.
For installation on mounting plate			
RBK 3 pro	for connection of round conductors	S-bridge clamps	63-811761-011
RBK 3 pro-M	for connection of conductors with lug terminals	M12 screws	63-811761-021
RBK 3 pro-M-2xVD	cable terminals: for connection of conductors with lug terminals - top M screws, for connection of sector-shaped conductors - bottom V-clamps	M12 screws/V-shape terminals	63-811761-031
APASYS 60 RBK 3 pro, RBK 3 pro-S for installation on 60 mm busbar system			
RBK 3 pro-SD	bottom cable terminals, for connection of round conductors	S-bridge clamps	63-028802-001
RBK 3 pro-SG	top cable terminals, for connection of round conductors	S-bridge clamps	63-028802-002
RBK 3 pro-SD-M	bottom cable terminals, for connection of conductors with lug terminals	M12 screws	63-028802-003
RBK 3 pro-SG-M	top cable terminals, for connection of conductors with lug terminals	M12 screws	63-028802-004

Table 97. RBK 3 pro terminal clamps

Description	RBK 3 pro			Dimensions and spacing of holes for installation of RBK 3 pro on mounting plate
	S-bridge clamp 2 x M8 x 35	M12 x 30 screw	V-clamp 35-300SW-B	
Drawing of clamp				
Cross-section of conductors	Cu/Al conductor 50 ÷ 185 mm ²	conductor with lug terminal up to 240 mm ²	V-clamp for direct fixing of two conductors with bare ends with cross-section of:	
Cu bar	maximum bar width 35 mm		35 - 185 mm ² 35 - 240mm ² 35 - 300 mm ²	
Tightening torque	10 Nm*	20 Nm*	30 Nm*	

For stranded conductors using cable ferrules is recommended
*using of tension wrench is recommended

RBK 3 pro



RBK 3 pro-5

