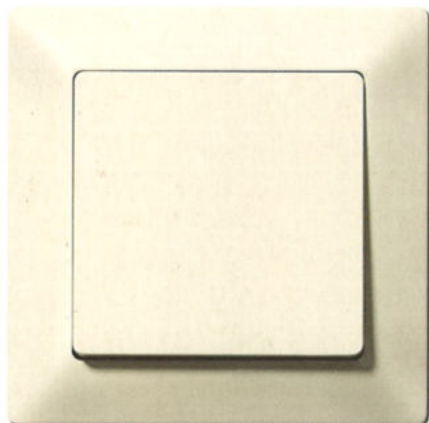
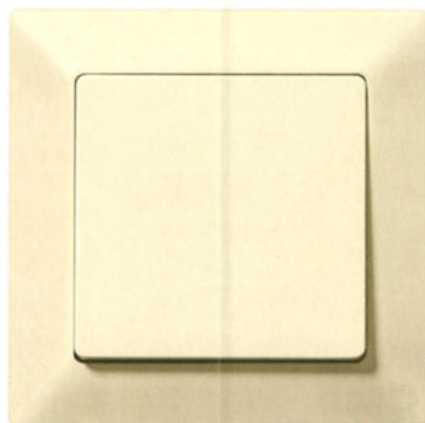


■ DELTA line

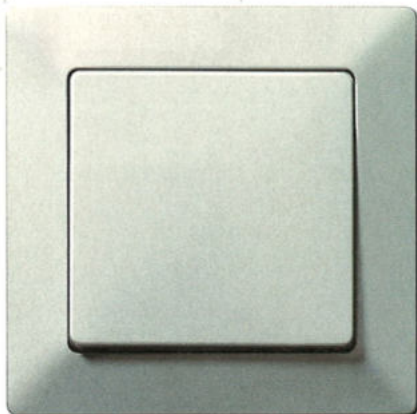
Universal switches
Titanium white



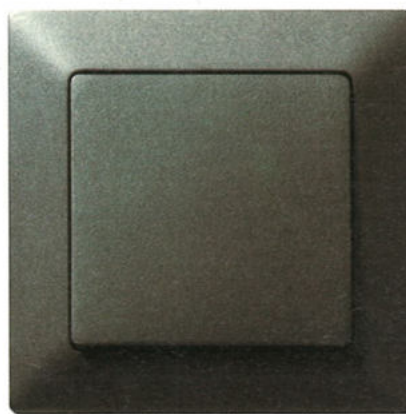
Universal switches
Electrical white



Universal switches
Aluminum metallic



Universal switches
Carbon metallic



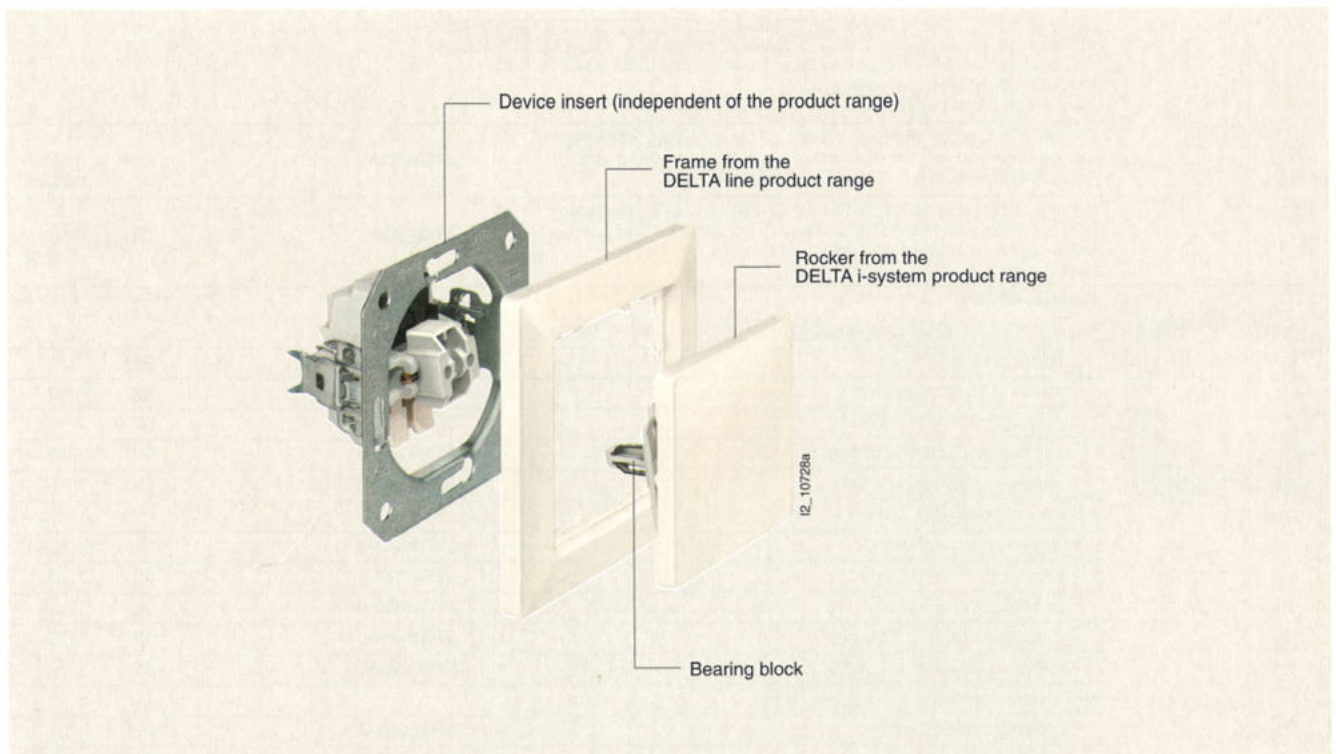
**Components of
the DELTA line product range:**

- Frames in four colors
- Printable frames for horizontal and vertical mounting
- Components of the DELTA i-system product range: operator interfaces, **SCHUKO** socket outlets ...
- Set of seals for rockers and socket outlets provide degree of protection IP44
- Comprehensive functions from the DELTA i-system for:
 - Communication
 - Data and voice networks
 - Shutter/blind control, also with radio remote control (GAMMA wave)
 - Time switches
 - Room temperature control
 - Dimmer control, also with radio remote control (GAMMA wave)
 - Motion detection
 - Can be connected to GAMMA *instabus*

Technical design of the DELTA line product range

Note:
in this section we will be introducing the frames available in the DELTA line product range.

All components of the DELTA i-system product range can be used as central inserts and cover plates.



Frames

Selection and ordering data

Version	Order No.	Price	PG	PS*/ P. unit
		1 unit		Unit(s)
General information				
For horizontal and vertical mounting Degree of protection: IP20				
Note	Section	Page		
All components of the <i>DELTA i-system</i> product range can be used as central inserts and cover plates, see ...	<i>Design / DELTA i-system</i>	1/6		
Degree of protection IP44 for rockers can be achieved with the <i>IP44 set of seals, for rockers, see ...</i>	<i>Design / DELTA i-system / Accessories and spare parts</i>	1/44	5TG4 324	1 set 021 1 set/ 10 sets
Degree of protection IP44 for SCHUKO socket outlets with hinged lid can be achieved using an <i>IP44 seal, for socket outlets, see ...</i>	<i>Design / DELTA i-system / Accessories and spare parts</i>	1/44	5TG4 318	1 set 021 1 set/ 10 sets
Frames, 80 mm				
• Titanium white (similar to RAL 9010)				
– single, 80 mm x 80 mm			5TG2 551-0	021 1/10
– double, 151 mm x 80 mm			5TG2 552-0	021 1/10
– triple, 222 mm x 80 mm			5TG2 553-0	021 1/10
– quadruple, 293 mm x 80 mm			5TG2 554-0	021 1/10
– quintuple, 364 mm x 80 mm			5TG2 555-0	021 1/5
• Electrical white (RAL 1013)				
– single, 80 mm x 80 mm			5TG2 581-0	021 1/10
– double, 151 mm x 80 mm			5TG2 582-0	021 1/10
– triple, 222 mm x 80 mm			5TG2 583-0	021 1/10
– quadruple, 293 mm x 80 mm			5TG2 584-0	021 1/10
– quintuple, 364 mm x 80 mm			5TG2 585-0	021 1/5
• Aluminum metallic (similar to RAL 9006)				
– single, 80 mm x 80 mm			5TG2 551-3	021 1/10
– double, 151 mm x 80 mm			5TG2 552-3	021 1/10
– triple, 222 mm x 80 mm			5TG2 553-3	021 1/10
– quadruple, 293 mm x 80 mm			5TG2 554-3	021 1/10
– quintuple, 364 mm x 80 mm			5TG2 555-3	021 1/5
• Carbon metallic (similar to RAL 7016)				
– single, 80 mm x 80 mm			5TG2 551-6	021 1/10
– double, 151 mm x 80 mm			5TG2 552-6	021 1/10
– triple, 222 mm x 80 mm			5TG2 553-6	021 1/10
– quadruple, 293 mm x 80 mm			5TG2 554-6	021 1/10
– quintuple, 364 mm x 80 mm			5TG2 555-6	021 1/5



5TG2 551-0