

■ Auxiliary control equipments >> Selectors

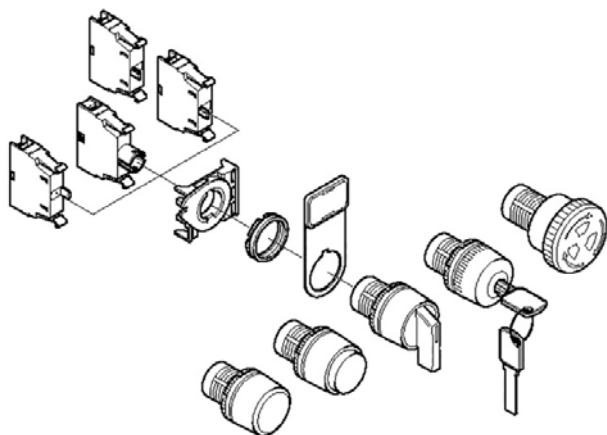
TOP22 Series

590.



Description	Version	Colour	Selectors - Key selectors	Selectors - Lever selectors
LEVER SELECTOR	2 PULSE POSITIONS	■		<b>590.PSLN8D2</b> 1/10
	2 STEADY POSITIONS			<b>590.PSLN8D0</b> 1/10
	3 PULSE POSITIONS			<b>590.PSLN8T3</b> 1/10
	3 STEADY POSITIONS			<b>590.PSLN8T0</b> 1/10
KEY SELECTOR	2 STEADY POSITIONS		<b>590.PSCR8DOC</b> <sup>[1]</sup> 10	
	3 STEADY POSITIONS		<b>590.PSCR8TOC</b> <sup>[1]</sup> 10	

[1] Key drawing when on "zero" position



1.5

