



# URBAN MODERN

# GIORGIO-ROSA

## FLOODLIGHT

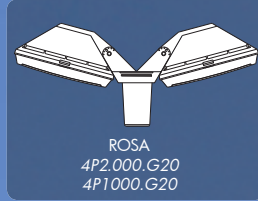


Post top system complete with single or double luminaires made in in shockproof resin material, UV-rays stabilized, rust and corrosion-free. The provided bracket allows a fully adjustable floodlight position to direct the light emission. Supplied with TÜV-CB certified, long-life, efficient and **Kelvin settable GX53 LED lamps included** or provided with **2x E27 lampholders**. Insulation class II, Protection rating IP66.

*Sistema completo di diffusori per installazioni a palo con luce singola o doppia. Fabbricato in resina antiurto stabilizzata ai raggi UV, inattaccabile da ruggine e corrosione. Il braccio in dotazione permette l'inclinazione e l'orientamento del proiettore per direzionare il flusso luminoso. Fornito con **incluse lampadine a LED GX53 con kelvin impostabile** certificate TÜV-CB di lunga durata ed elevata efficienza o disponibile nella versione **2x E27**. Classe di isolamento II, grado di protezione IP66.*



GIORGIO  
4P2.000.G10  
4P1.000.G10



ROSA  
4P2.000.G20  
4P1000.G20



4P2.000.G10



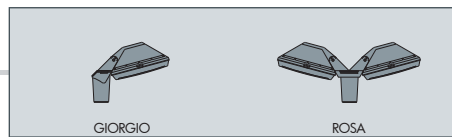
4P2.000.G20

### CCT SETTABLE

SDCM < 6

2700 K 3000 K 4000 K 6500 K


MADE IN ITALY



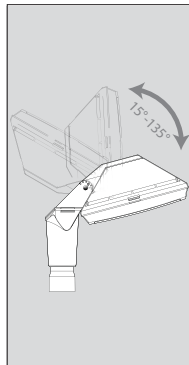
**GIORGIO/ROSA - COMPONENTS**

IP66



Square **FLOODLIGHT** with no visible screws made in shockproof resin material, UV-rays stabilized, rust and corrosion-free. Supplied with TÜV certified, long-life and efficient GX53 LED lamps included or provided with 2x E27 lampholders.

*PROIETTORE* quadro senza viti a vista, fabbricato in resina antiurto stabilizzata ai raggi UV, inattaccabile da ruggine e corrosione. Provvisto di lampadine a LED GX53 approvate TÜV di lunga durata ed elevata efficienza o fornito nella versione 2x E27.



**POST TOP SYSTEM** with single or double bracket made in shockproof resin material, UV-rays stabilized. The provided bracket allows a fully adjustable position of the floodlight to direct at will the light emission.

**SISTEMA A PALO** con braccio singolo o doppio realizzato in resina antiurto, stabilizzata ai raggi UV. Il braccio permette l'orientamento in qualsiasi posizione del proiettore per poter direzionare il flusso luminoso.

**GIORGIO**

4P2.000.G10 \*



**Dimensions and weight**

Height: 200 mm  
Width: 420 mm  
Weight: 4 Kg

**ROSA**

4P2.000.G20 \*



**Dimensions and weight**

Height: 200 mm  
Width: 700 mm  
Weight: 6 Kg

**Moulded Colours:**

Black  Grey  White

**Diffuser PMMA:**

Opal

**4x GX53 LED**

FULLY PRE-WIRED

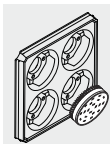


4P2.000

Floodlight supplied with white resin reflective ceiling fully pre-wired and complete with 4 x TÜV-CB certified long-life efficient and Kelvin settable GX53 LED lamps included. Quick and easy lamp replacement for a very simple maintenance after installation.

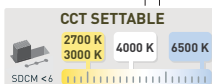
**100 - 240 V**

LAMP	POWER	LUMINOUS FLUX (Φ TOTAL) UP TO	COLOUR TEMP.	*ADD. SUFFIX
GX53 LED	4x 10W <b>40W</b>	<b>5160 lm</b>	6500 K 4000 K 3000 K	.D4K



4x 10W = 100W  
5160 Lm SON-HQI

**SAVE 60%**



**GX53 LED**

FULLY PRE-WIRED



4P1.000

Floodlight supplied fully pre-wired, and complete with TÜV approved, long-life, efficient and Kelvin settable GX53 LED lamp in different wattages.

**100 - 240 V**

LAMP	POWER	LUMINOUS FLUX (Φ TOTAL) UP TO	COLOUR TEMP.	*ADD. SUFFIX
	<b>7,2 W</b>	<b>920 lm</b>	6500 K 4000 K 2700 K	.A1K
	<b>11,3 W</b>	<b>1510 lm</b>	6500 K 4000 K 2700 K	.B1K
	<b>17 W</b>	<b>2350 lm</b>	6500 K 4000 K 2700 K	.E1K
+ SENSOR	<b>7,2 W</b>	<b>920 lm</b>	6500 K 4000 K 2700 K	.ASK
+ SENSOR	<b>11,3 W</b>	<b>1510 lm</b>	6500 K 4000 K 2700 K	.BSK
+ SENSOR	<b>17W</b>	<b>2350 lm</b>	6500 K 4000 K 2700 K	.ESK



7,2W  
11,3W  
17W = 60W  
100W  
150W incandescent

**SAVE 88%**

**2x E27**

FULLY PRE-WIRED



4P2.000

Floodlight supplied fully pre-wired with white resin reflective ceiling and complete with 2x E27 lampholders.

Daylight and motion sensor available as option. Sensor operating voltage: 220-240V. (120V version available on demand).

LAMP	max	*ADD. SUFFIX
<b>2x E27 (CFL -LED)</b>	max 160 mm	.E28
<b>2x E27 + SENSOR</b>	max 160 mm	.ES8

**LED LAMPS**



LVD EMC ERP

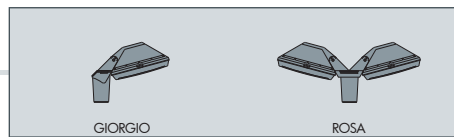
Comply with: EU2019/2015  
EU2019/2020  
Technical details on page 596.

\* ADD THESE SUFFIXES TO THE REFERENCES MENTIONED IN THE CATALOGUE

**GIORGIO-ROSA**

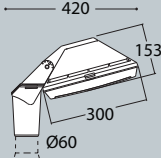
FLOODLIGHT





GIORGIO	
<b>11,3W</b>	4P1.000.G10.B1K
<b>17W</b>	4P1.000.G10.E1K
<b>40W</b>	4P2.000.G10.D4K

CCT SETTABLE GX53 LED LAMP INCLUDED

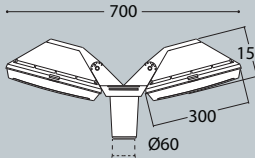


Pcs 1  
Kg 4  
mc 0,029

**2x E27** lampholder 4P2.000.G10.E28

ROSA	
<b>2x 11,3W</b>	4P1.000.G20.B1K
<b>2x 17W</b>	4P1.000.G20.E1K
<b>2x 40W</b>	4P2.000.G20.D4K

CCT SETTABLE GX53 LED LAMP INCLUDED

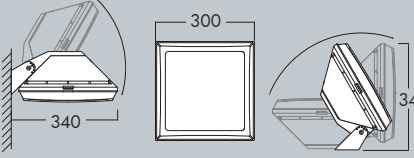


Pcs 1  
Kg 6  
mc 0,049

**2x E27** lampholder 4P2.000.G20.E28

GIOVA/GIUSEPPE	
<b>11,3W</b>	4P1.702.B1K
<b>17W</b>	4P1.702.E1K
<b>40W</b>	4P2.702.D4K

CCT SETTABLE GX53 LED LAMP INCLUDED

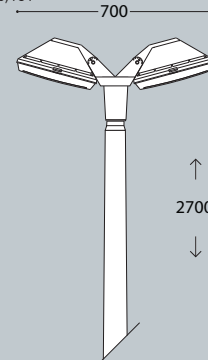


Pcs 10  
Kg 31  
mc 0,195

**2x E27** lampholder 4P2.702.E28

EKTOR 2500/ROSA
4P2.361.G20

Pcs 1  
Kg 27  
mc 0,181



EKTOR 4000/GIORGIO	AKILLE 4000/GIORGIO
4P2.371.G10	4P2.421.G10

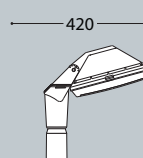
Pcs 1  
Kg 40  
mc 0,240

EKTOR 3500/GIORGIO	AKILLE 3500/GIORGIO
4P2.367.G10	4P2.417.G10

Pcs 1  
Kg 37  
mc 0,214

EKTOR 3000/GIORGIO	AKILLE 3000/GIORGIO
4P2.364.G10	4P2.414.G10

Pcs 1  
Kg 34  
mc 0,188



EKTOR 4000/ROSA	AKILLE 4000/ROSA
4P2.371.G20	4P2.421.G20

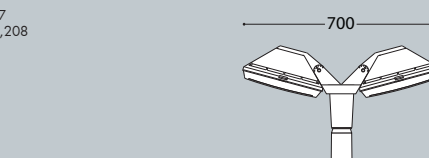
Pcs 1  
Kg 43  
mc 0,260

EKTOR 3500/ROSA	AKILLE 3500/ROSA
4P2.367.G20	4P2.417.G20

Pcs 1  
Kg 40  
mc 0,234

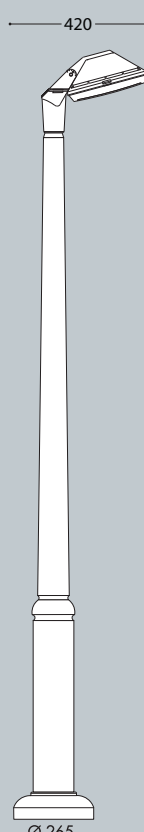
EKTOR 3000/ROSA	AKILLE 3000/ROSA
4P2.364.G20	4P2.414.G20

Pcs 1  
Kg 37  
mc 0,208




EKTOR 2500/GIORGIO
4P2.361.G10

Pcs 1  
Kg 24  
mc 0,161



Ø 265

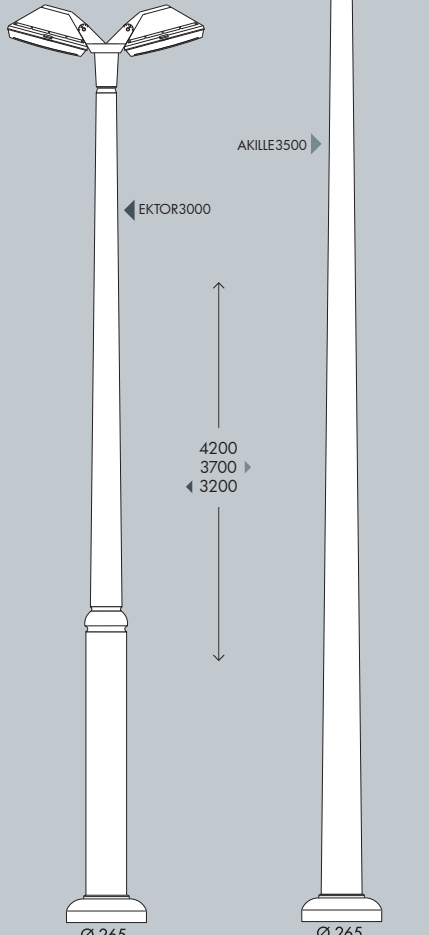


AKILLE3500

EKTOR3000

4200  
3700  
3200

Ø 265



AKILLE3500

EKTOR3000

4200  
3700  
3200

Ø 265