



## Product features:

**minimized contact carrier**  
for mounting in narrow surroundings (cable reels)

**high stability**  
by single-part housing also in case of shutter!

**robust construction**  
based on highgrade polyamide 6

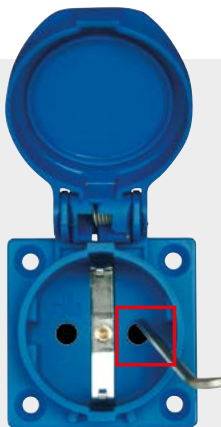
2 D Q J H V L ] H [ P P  
W K L Q Q H U 2 D Q J H Q R V H S D U D W H J D V N H W Q H F H V

1 [ L Q J F H Q W H U [ P P  
(fourpoint-mounting with countersunk screw)

- optimum screw contacts
- open contact screws
- hinged lid with wide opening angle  
high closing pressure
- IP54 splashproof
- optional: approved shutter  
for all types
- Austrian/German versions according  
to DIN VDE 0620-1st of February 2010

### Rotation shutter

Optional with shutter



### French/Belgian standard

Earth pin with single part terminal- also available in version with shutter



### Screw contact systems

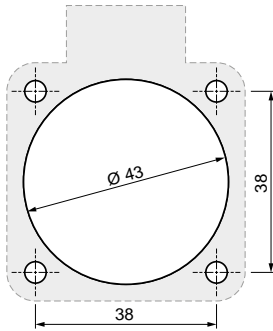
side connection



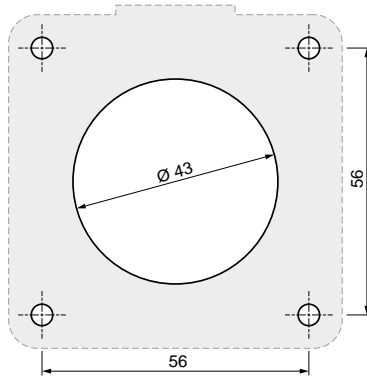
rear connection

# Socket outlets

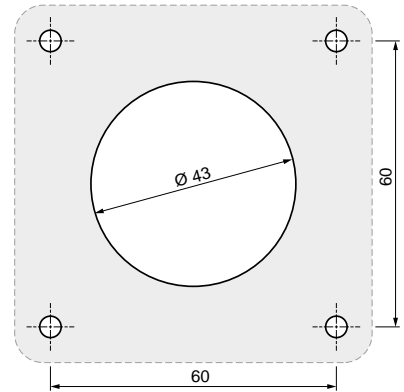
Dimensions S-NOVA:



Flange: 50x50 mm

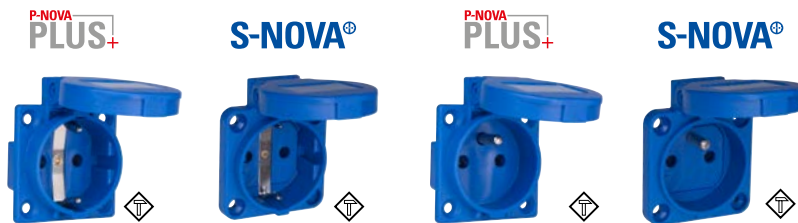




Flange: 70x70 mm



Flange: 75x75 mm

Versions: Flange 50x50



Connection type	Austrian/German system 		French/Belgian system 	
Screw terminal rear connection	1050-0b	105-0b	1040-0b	104-0b
incl. shutter	1050-0bc	105-0bc	1040-0bc	104-0bc
incl. sealing bulge*	1050-0bw	105-0bw		
Screw terminal side connection	1050-0bs	105-0bs	1040-0bs	104-0bs
incl. shutter	1050-0bsc	105-0bsc	1040-0bsc	104-0bsc
incl. sealing bulge*	1050-0bsw	105-0bsw		
Screwless terminal rear connection		109-0b		108-0b
incl. shutter		109-0bc		108-0bc
incl. sealing bulge*		109-0bw		

\*Plugs and socket outlets (DIN 49440) for portable use are subject to the standard DIN VDE 0620-1:2010 and ÖVE/ÖNORM E 8684-2-2:2010



## Thermoplastic insulated empty distribution box – wall mounting Series M-BOX

	\$ S K 230V~	\$ S K 400V~	\$ S K 400V~	\$ S K 230V~	\$ S K 400V~	\$ S K 400V~
	Cat.No.	Cat.No.	Cat.No.	Cat.No.	Cat.No.	Cat.No.
IP44	413-6f8	414-6f8	415-6	423-6	424-6	425-6
IP67	4132-6f8	4142-6f8	4152-6f78	4232-6f78	4242-6f78	4252-6f78

Technical details and other clock positions see page 88-89



80x97

	Cat.No.	Cat.No.
rear connection	Austrian/ German system 1050-0b	French/ Belgian system 1040-0b
side connection	1050-0bs	1040-0bs

Other versions see page 158 to 173!



### Series M-BOX 13WH

- dimensions:  
WxHxD=180x330x150mm
- windows up to 13 modules (6 units are blinded)

1518134  
pack.unit: 12



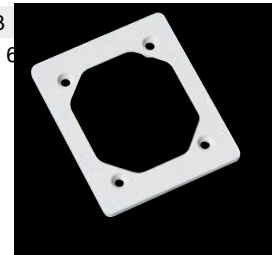
### % O L Q G 2 D Q J H

1518000  
pack.unit: 6



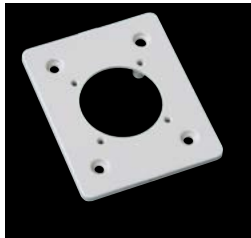
### Flange for sockets 70x85

1518413  
pack.unit: 6



### Flange for safety sockets 50x50

1518105  
pack.unit: 6



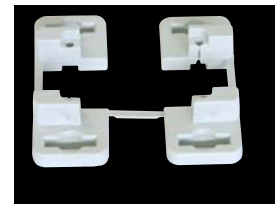
### Connecting device M40, IP65

1518010  
pack.unit: 10



### : D O O 1 [ L Q J F H Q W H U

1518020  
pack.unit: 10



### Metal lock for window

1518030  
pack.unit: 1



### Terminal block 14p

1518040  
pack.unit: 1



### Terminal block 14p incl. holder

(for input of a second terminal block)

1518045  
pack.unit: 1

