

# IS 3180

## Great performers for industry and business.

### 100% surveillance over an area of up to 500 m<sup>2</sup>.

These sensors are the perfect choice when it comes to protecting industrial and business premises and making them secure. It is important to have far-sighted guards that instantly respond to any movement. The IS 3180 is made for the job. The IP54 rating reliably protects its inner values: featuring top-calibre components such as two precision modular pyro sensors and a multi-lens, it watches over almost every last inch of areas measuring a good 500 m<sup>2</sup>. The concealed installation sensor that combines everything that's important to electrical fitters and security personnel.



**2000w**  
max.



**TEACH**  
mode

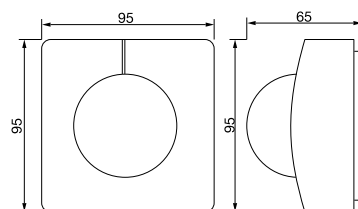


**5 JAHRE**  
GARANTIE  
manufacturer's warranty



**IS 3180**

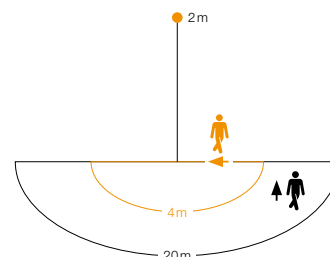
<b>Surface-mounted</b> . . . . .	<b>square (65x95x95 mm)</b>
EAN COM1 . . . . .	4007841 009113
EAN PF . . . . .	4007841 010508
EAN KNX . . . . .	4007841 058135
EAN DALI . . . . .	4007841 010553
EAN DALI-2 . . . . .	4007841 057350
EAN LiveLink . . . . .	4007841 049409
<b>Concealed</b> . . . . .	<b>square (78x94x94 mm)</b>
EAN COM1 . . . . .	4007841 055721
EAN PF . . . . .	4007841 055769
EAN KNX . . . . .	4007841 058142
EAN DALI . . . . .	4007841 055738
EAN DALI-2 . . . . .	4007841 057367
EAN LiveLink . . . . .	4007841 055752



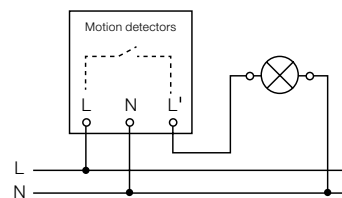
Surface-mounted, square  
For further designs, see page 56

**You will find information on the interfaces from page 52 onwards.**

Type . . . . .	Motion detector
Dimensions (H x W x D) . . . . .	95 x 95 x 65 mm
Sensor type . . . . .	Passive infrared
Where to use . . . . .	Indoors and outdoors
Installation . . . . .	Wall, corner
Mounting height . . . . .	1.8 - 2.5 m
Recommended mounting height . . . . .	2 m
Angle of coverage . . . . .	180° with 90° angle of aperture
Capability of masking out individual segments . . . . .	Yes
Reach . . . . .	Basic setting 1: 8–20 m tangential; temperature-stabilised
. . . . .	Basic setting 2: max. 4–8 m, temperature-stabilised
. . . . .	+ precision adjustment by re-positioning the lens and using shrouds
Sensor system . . . . .	7 detection levels, 448 switching zones
Twilight setting . . . . .	2 - 1000 lx
Teach function for twilight setting . . . . .	Yes
Manual override . . . . .	Selectable, 4 h
IP rating . . . . .	Concealed: IP20 / surface-mounted: IP54
Temperature range . . . . .	-20 to +50°C



IS 3180 detection zone (20 m lens)  
Possible mounting height: 1.8 - 2.5 m  
Orange: radial  
Black: tangential



Also suitable for parallel operating mode.  
Intrinsic-light detection.

Further circuit diagrams starting on page 52

**Optional accessories**

EAN corner wall mount, white . . . . .	4007841 035174
EAN corner wall mount, black . . . . .	4007841 648015
EAN black trim, surface-mounted, square. . . . .	4007841 056711
EAN black trim, concealed, square . . . . .	4007841 056728
EAN User remote control RC5 . . . . .	4007841 592806
EAN Service remote control RC8 . . . . .	4007841 559410
EAN Remote control Smart Remote . . . . .	4007841 009151

Refer to the 'Accessories' section for further information.



Surface-mounted,  
square



Concealed,  
square

UV-resistant plastic



Large terminal compartment



Optional corner wall mount available



Optional remote controls refer to page 298



# Interfaces and wiring diagrams for 3000-series

## DALI

Digital DIM interface  
for controlling 1 lighting channel

### Power supply

220-240 V, 50 / 60 Hz

### Time setting

5 s – 15 min

### Control output

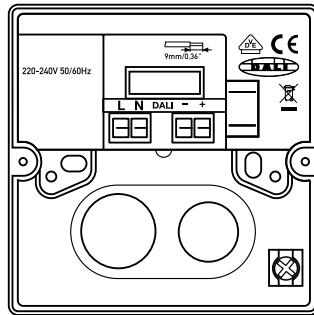
2-core DALI control cable / broadcast  
Controllable DALI electronic ballasts: 30 DALI  
electronic ballasts

### Constant-lighting control

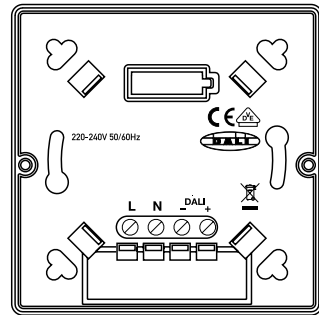
User-friendly DALI function, basic brightness

ON, OFF, 10–30 min, all night, 10–50%

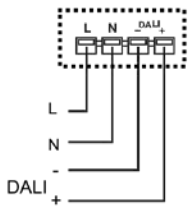
Surface-mounted



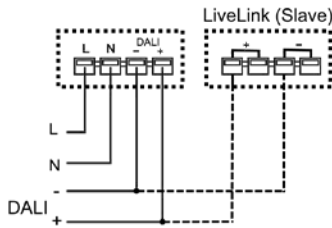
Concealed



### Master



### Master/Slave



## DALI-2

Communication of information  
on presence and light level to a  
DALI application controller

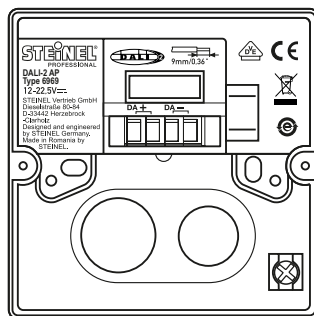
### Power consumption

6 mA / 3 DALI users,  
12-22.5 V , no SELV  
(9 mA / 5 DALI users with HF 3360)

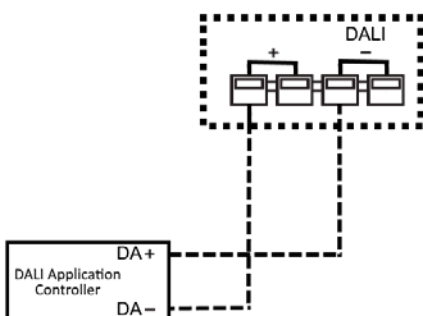
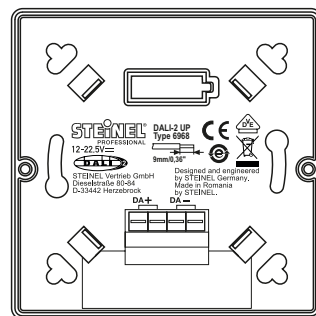
### DALI input device

DALI control line (multi-master capability for  
communication with DALI application controller/  
DALI sensor)

Surface-mounted



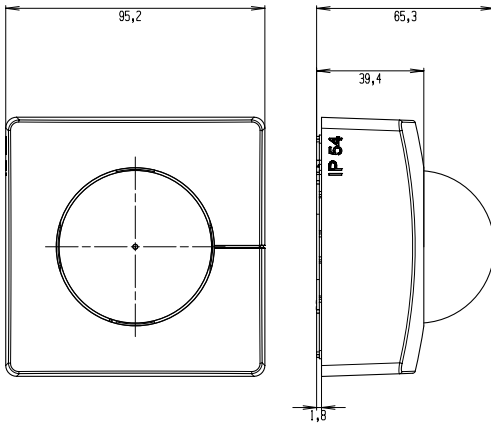
Concealed



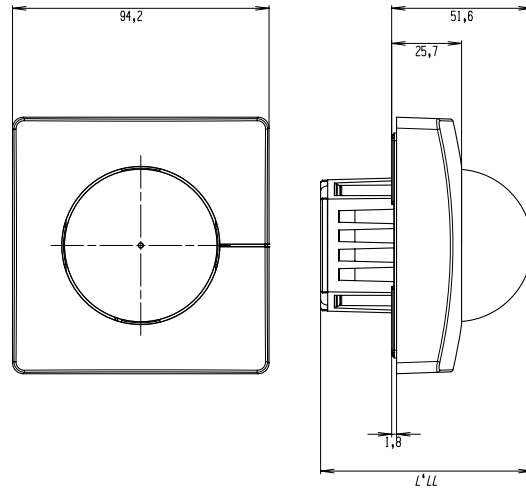
# 3000-Series designs

## IS 3180 / IS 3360 / IS 3360 MX Highbay / IS 345 / IS 345 MX Highbay

Surface-mounted installation, square

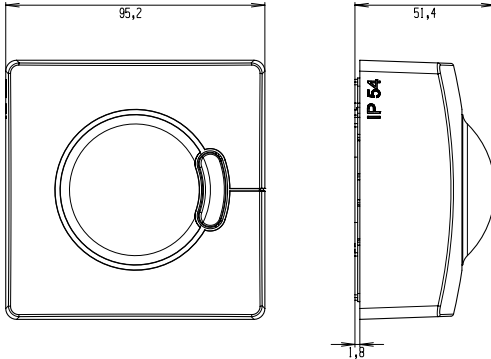


Concealed installation, square

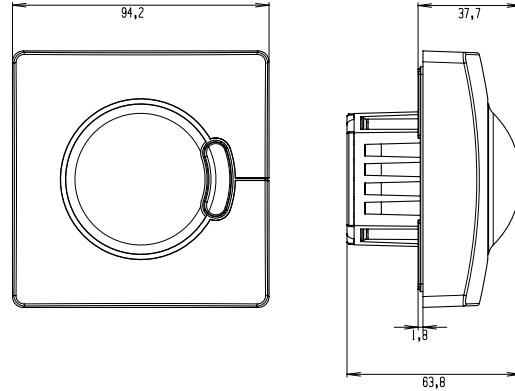


## HF 3360

Surface-mounted installation, square

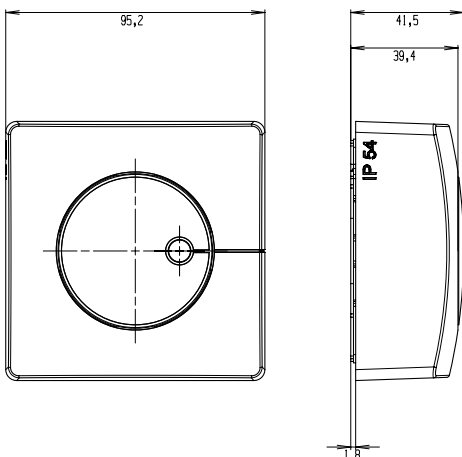


Concealed installation, square



## Light Sensor Dual

Surface-mounted installation, square



Concealed installation, square

