

IS 3360

With far-sightedness. And all-round vision.

Large spaces, multi-storey car parks and production buildings with ceiling heights of up to 4 m rarely provide installation surfaces every metre. These environments call for motion detectors with a long reach. Like the IS 3360. It detects any tangential movement within 20 metres. Even installed at heights of up to 4 metres. In short: one IS 3360 covers an area of more than 1000 m²! STEINEL infrared technology that keeps its promises.



infrared
sensor 360°



max. 20m

2000w
max.



LiveLink



IP54/IP20



2,5 - 4m



2 - 1000 lux



5 sec - 15 min

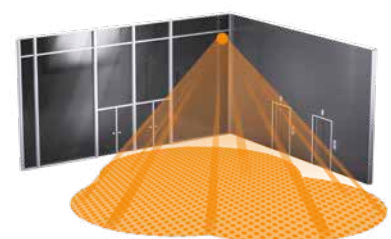
TEACH
mode



energy
saving

5 JAHRE
GARANTIE

manufacturer's
warranty



IS 3360

Surface-mountedsquare (65x95x95 mm) round (65xØ126 mm)

EAN COM1	4007841 010478	4007841 033446
EAN PF	4007841 010515	4007841 033477
EAN KNX	4007841 058166	4007841 058180
EAN DALI	4007841 010560	4007841 033507
EAN DALI-2	4007841 057237	4007841 057251
EAN LiveLink	4007841 049362	4007841 049386

Concealedsquare (78x94x94 mm) round (78xØ124 mm)

EAN COM1	4007841 033460	4007841 033453
EAN PF	4007841 033491	4007841 033484
EAN KNX	4007841 058173	4007841 058197
EAN DALI	4007841 033514	4007841 033521
EAN DALI-2	4007841 057244	4007841 057268
EAN LiveLink	4007841 049379	4007841 049393

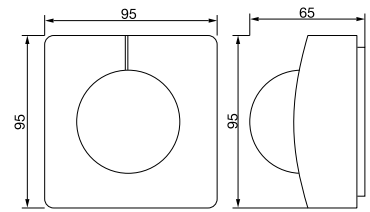
You will find information on the interfaces from page 52 onwards.

Type	Motion detector
Sensor type	Passive infrared
Where to use	Indoors and outdoors
Installation	Ceiling
Mounting height	2.5 - 4 m
Recommended mounting height	2.8 m
Angle of coverage	360° with 180° angle of aperture
Capability of masking out individual segments	Yes
Reach	max. Ø 40 m tangential (1257 m ²), temperature-stabilised
.....	+ precision adjustment using shrouds
Sensor system	11 detection levels, 1416 switching zones
Twilight setting	2 - 1000 lx
Teach function for twilight setting	Yes
Manual override	Selectable, 4 h
IP rating	Concealed: IP20 / surface-mounted: IP54
Temperature range	-20 to +50°C

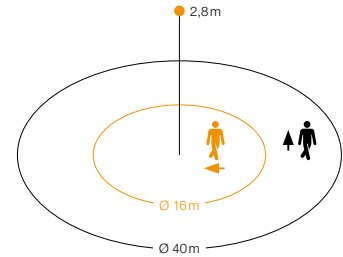
Optional accessories

EAN black trim, surface-mounted, square	4007841 056711
EAN black trim, concealed, square	4007841 056728
EAN black trim, surface-mounted, round	4007841 056735
EAN black trim, concealed, round	4007841 056742
EAN User remote control RC5	4007841 592806
EAN Service remote control RC8	4007841 559410
EAN Remote control Smart Remote	4007841 009151
EAN Ceiling box Ø68 mm	4007841 052812

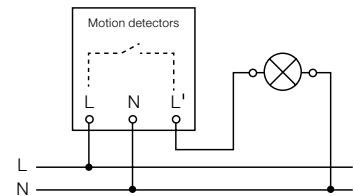
Refer to the 'Accessories' section for further information.



Surface-mounted, square
For further designs, see page 56



IS 3360 detection zone
Possible mounting height: 2.5 - 4 m
Orange: radial
Black: tangential



Also suitable for parallel operating mode.
Intrinsic-light detection.

Further circuit diagrams starting on page 52

UV-resistant plastic



Large terminal compartment (surface-mounted only)



Optional remote controls refer to page 298



Interfaces and wiring diagrams for 3000-series

For all interfaces.

For even more flexibility.

Because demand for our sensors is growing and growing, we have aligned our 3000 series with the needs of our customers and complemented our range. There are now surface-mounted and concealed versions of all sensors

and, wherever it makes sense, round instead of square casings.

The true innovation, however, is greater compatibility with the main interfaces. Whether COM1, PF, KNX, DALI, DALI-2 or LiveLink - with our 3000-series, even the largest plan can be turned into reality with the least amount of

effort. And we are particularly proud of this: in connection with our Smart Remote remote control, configuration and control can now be performed simply and conveniently via tablet or smartphone.

COM1

Switching light

Power supply

220-240 V, 50 / 60 Hz

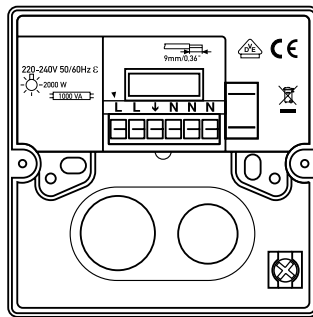
Output

Incandescent/halogen lamp load	2000 W
Fluorescent-lamp electronic ballasts	1500 W
Fluorescent lamps, uncorrected	1000 VA
Fluorescent lamps, series-corrected	400 VA
Fluorescent lamps, parallel-corrected	400 VA
Low-voltage halogen lamps	2000 VA
LED < 2 W	100 W
2 W < LED < 8 W	100 W
LED > 8 W	600 W
Capacitive load	176 µF

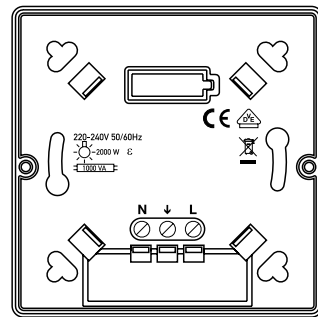
Time setting

5 s - 15 min + pulse mode (approx. 2 s)

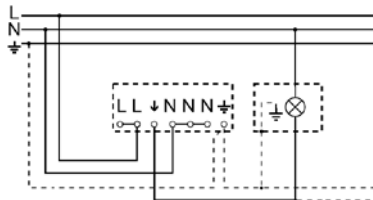
Surface-mounted



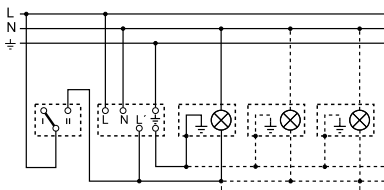
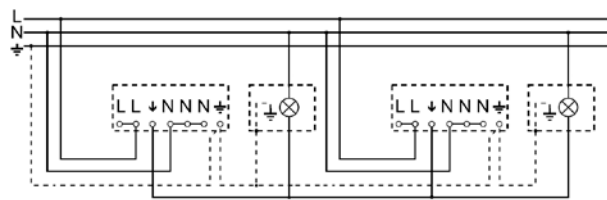
Concealed



Master



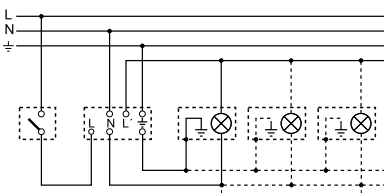
Master/slave



Connection via a two-way switch for manual override and automatic operation

Setting I: automatic operation
Setting II: manual operation, manual override for constant light

Note: The system cannot be switched OFF, it is only possible to select operation via setting I or II.

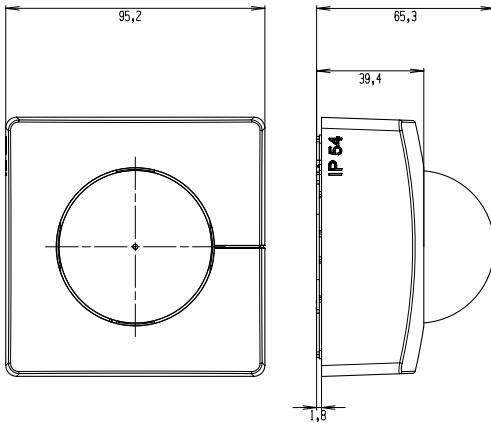


Connection using two-circuit switch for manual and automatic operation

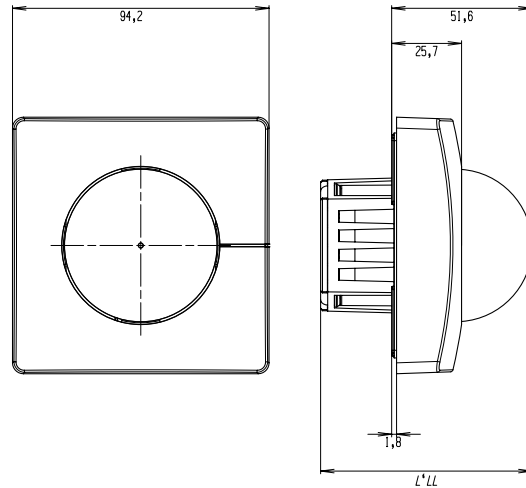
3000-Series designs

IS 3180 / IS 3360 / IS 3360 MX Highbay / IS 345 / IS 345 MX Highbay

Surface-mounted installation, square

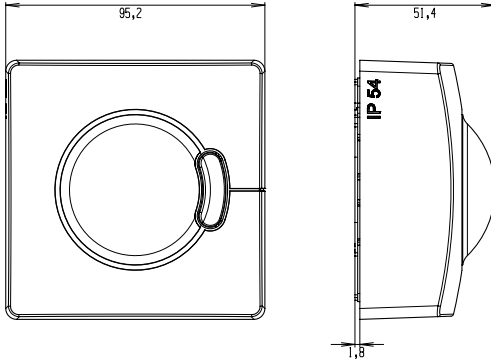


Concealed installation, square

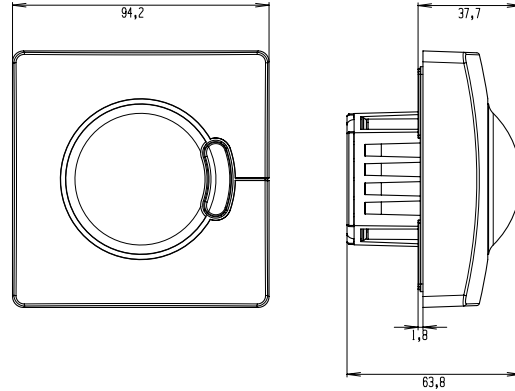


HF 3360

Surface-mounted installation, square

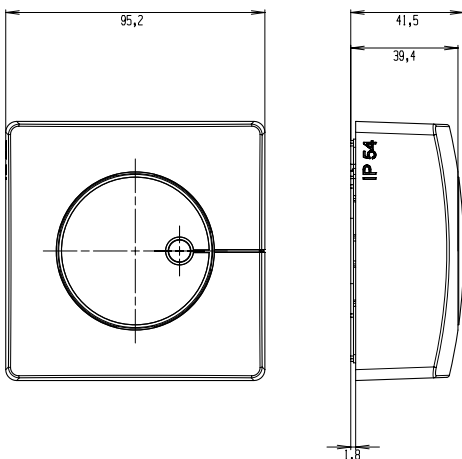


Concealed installation, square



Light Sensor Dual

Surface-mounted installation, square



Concealed installation, square

