

RS PRO 5850 LED

**Dynamic lighting intelligence.
And waterproof too.**

Same perfection. Even more luminous power. In the 45W version too, this linear luminaire from the RS PRO range offers advanced technologies and Germany's best development expertise by the metre.

RS
PRO
SYSTEM

LED
LONG LIFE



LED

30 years
(\varnothing 4,5h/day)

45w

max. 5570lm
124lm/W



4000 K
neutral-white



high frequency
sensor 360°



\varnothing 2-8m

IP66

Dust-proof
and jet water
protected



10-50%
basic
brightness



networkable
via cable



shock proof
IK07



soft light
start

TEACH

mode



energy
saving

5 JAHRE
GARANTIE

manufacturer's
warranty



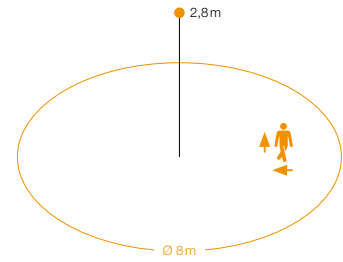
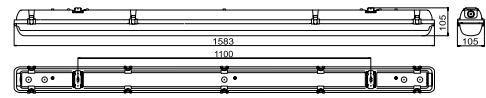
| | |
|---------------------------|---------------------------------------------------------------------|
| EAN RS PRO 5850 LED | 4007841 007676 |
| EAN RS PRO 5850 LED Slave | 4007841 007683 |
| Dimensions (H x W x D) | 105 x 1583 x 105 mm |
| Power supply | 220-240 V, 50 / 60 Hz |
| Sensor type* | High-frequency |
| Transmitter power* | Approx. 1 mW |
| HF system* | 5.8 GHz |
| Output (lights) | 45 W |
| Luminous flux | 5570 lm |
| Efficiency | 124 lm/W |
| Colour temperature | 4000 K / SDCM 3 |
| Colour rendering | Ra ≥ 80 |
| LED life expectancy | 50,000 h (L70B10 to LM80) |
| LED cooling system | Passive Thermo Control |
| Functions | Neighbouring group function, presence function, group configuration |
| Angle of coverage | 360° |
| Reach* | Ø 2-8 m |
| Twilight setting* | 2-2000 lx |
| Time setting* | 5 sec- 15 min |
| Basic light level | 10-50% |
| Soft light start | Yes |
| IP rating | IP66 |
| Protection class | I |
| Material | impact-resistant plastic, IK07 |
| Temperature range | -20 to +30°C |
| With lamp | STEINEL LED system |

*For sensor-controlled version only

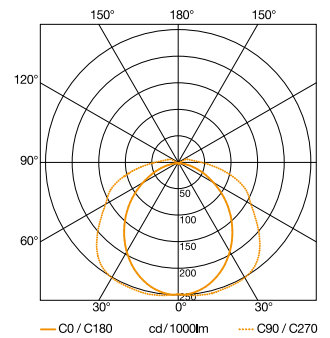
Optional accessories

| | |
|---------------------------------|----------------|
| EAN Remote control RC10 | 4007841 008925 |
| EAN Remote control Smart Remote | 4007841 009151 |

Refer to the 'Accessories' section for further information.



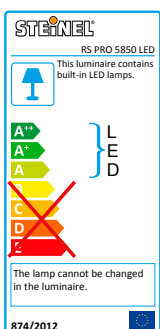
RS PRO 5850 LED detection zone
Possible mounting height: 2.5 - 4 m
Orange: radial and tangential



RS PRO 5850 LED light distribution curve



Slave version
without sensor



Including STEINEL LED system



Intelligent soft light start



Interconnectable via DALI, max. 15 slaves/master



Impact-resistant material rated to IK07



Intelligent swarm function



Optional remote controls refer to page 304

