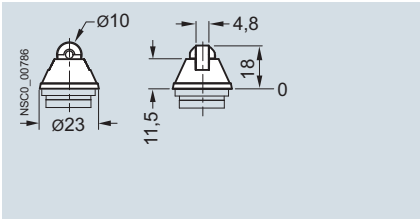
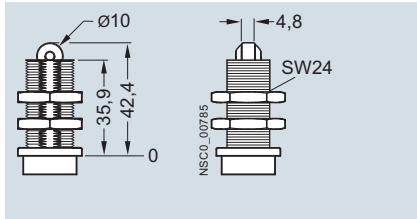


**Operating mechanisms for enclosure width 31 mm and 50 mm**

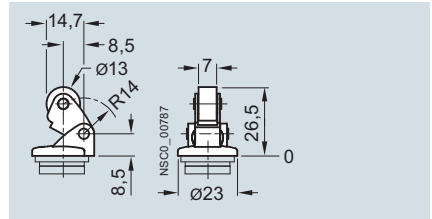
**Roller plungers, type C, acc. to EN 50047**



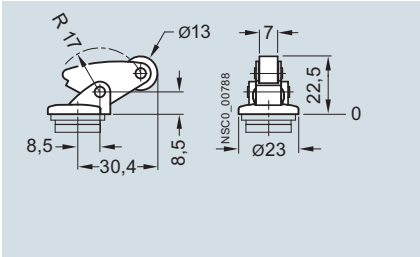
**Roller plungers with central fixing**



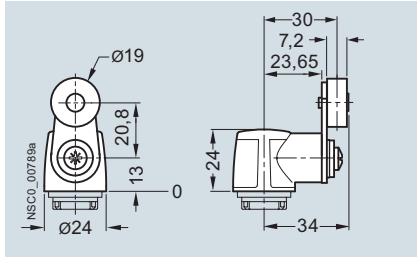
**Roller levers, type E, acc. to EN 50047**



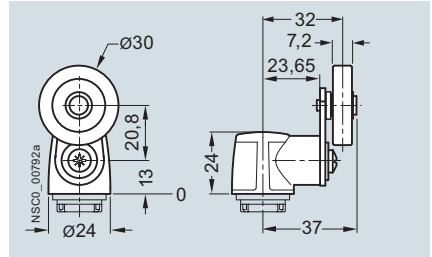
**Angular roller levers**



**Twist levers, type A, acc. to EN 50047**

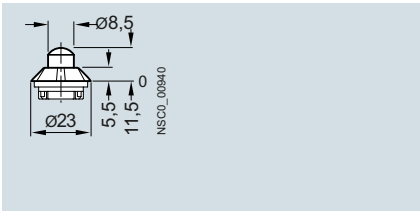


**Twist levers, roller 30 mm**

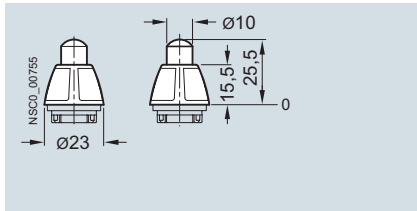


**Operating mechanisms for enclosure width 40 mm and 56 mm**

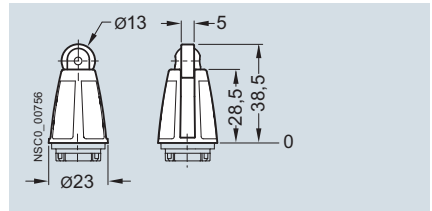
**Plain plungers**



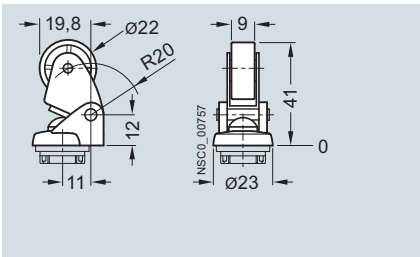
**Rounded plungers, type B, acc. to EN 50041**



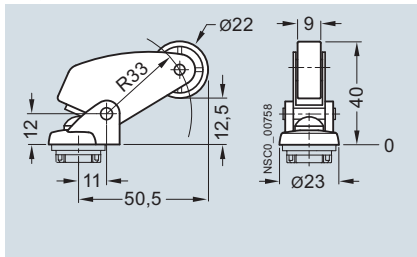
**Roller plungers, type C, acc. to EN 50041**



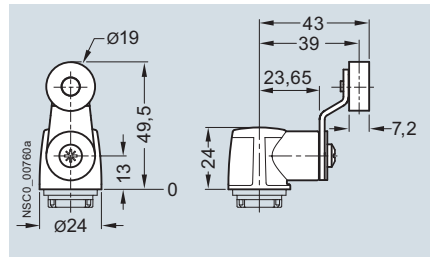
**Roller levers**



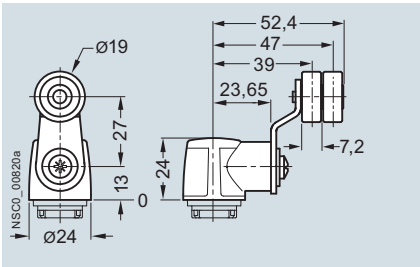
**Angular roller levers**



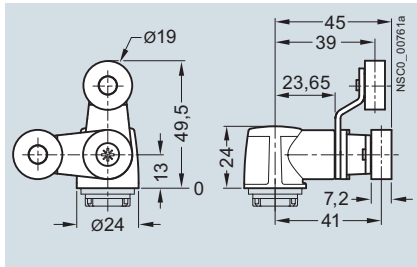
**Twist levers, type A, acc. to EN 50041**



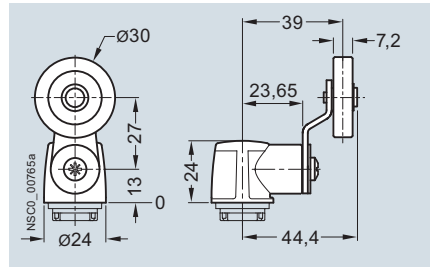
**Twist levers, 2 rollers 19 mm**



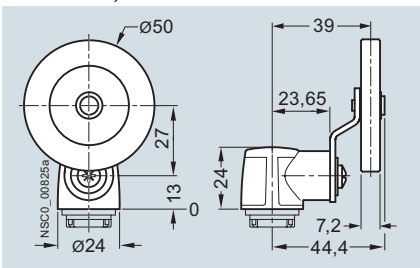
**Fork levers, roller 19 mm**



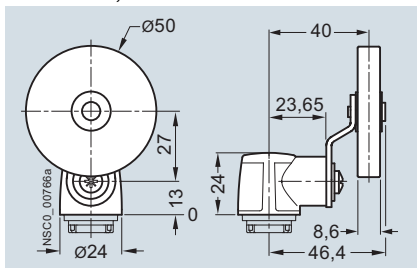
**Twist levers, roller 30 mm**



**Twist levers, roller 50 mm**



**Twist levers, rubber roller 50 mm**

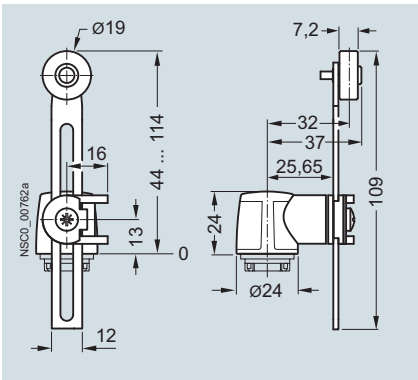


# SIRIUS 3SE5 Mechanical Position Switches

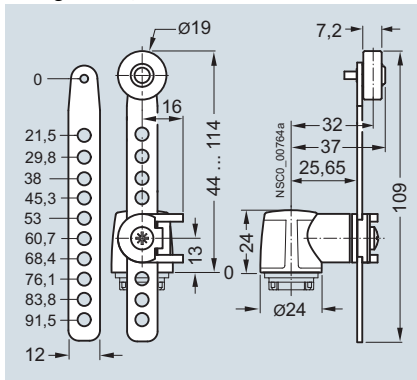
## General data

### Operating mechanisms for all enclosure widths

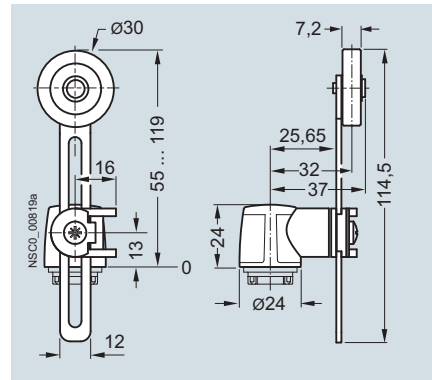
**Twist levers, adjustable length  
roller 19 mm**



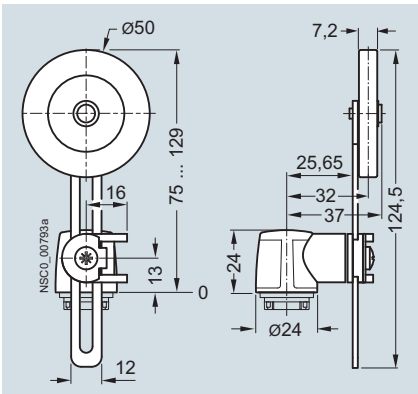
**Twist levers, adjustable length,  
with grid hole, roller 19 mm**



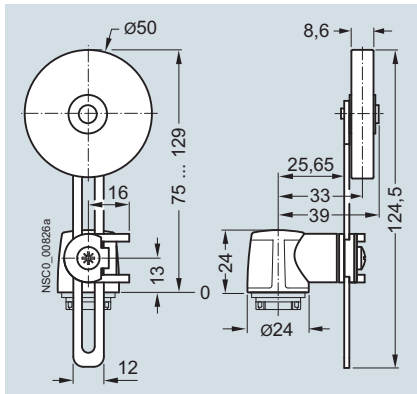
**Twist levers, adjustable length,  
roller 30 mm**



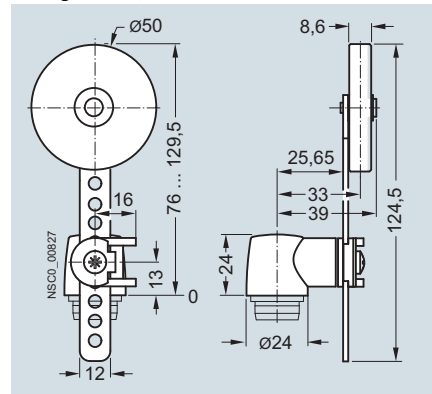
**Twist levers, adjustable length  
roller 50 mm**



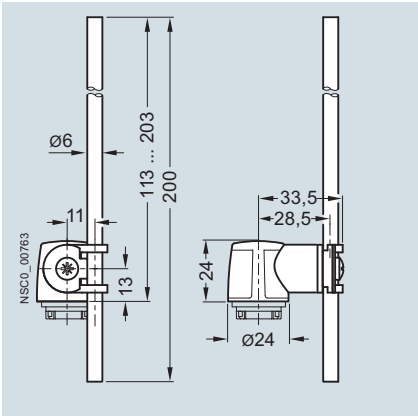
**Twist levers, adjustable length  
rubber roller, 50 mm**



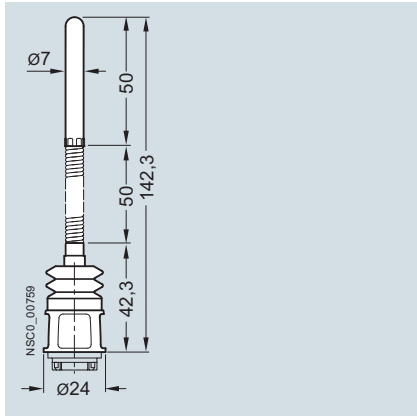
**Twist levers, adjustable length  
with grid hole, rubber roller 50 mm**



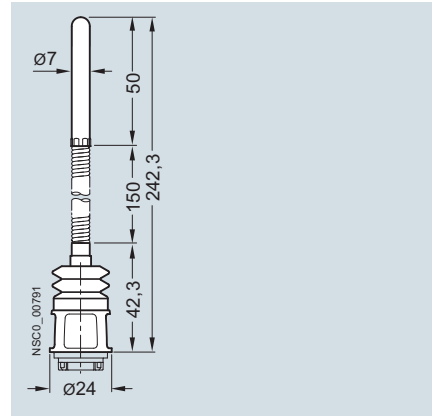
**Rod actuator**



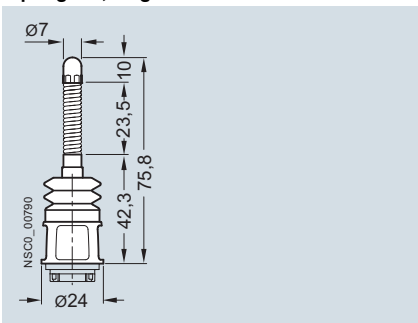
**Spring rod, length 142.5 mm**



**Spring rod, length 242.5 mm**



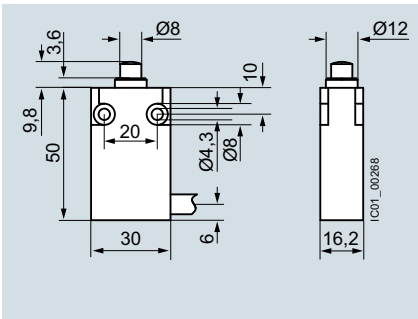
**Spring rod, length 76 mm**



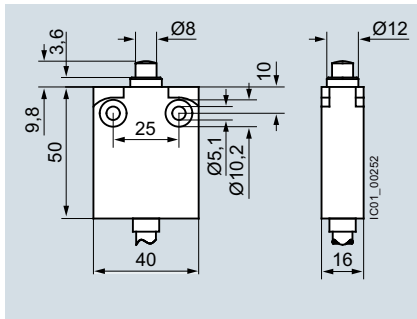
12

**Dimensions of the switches in compact design**

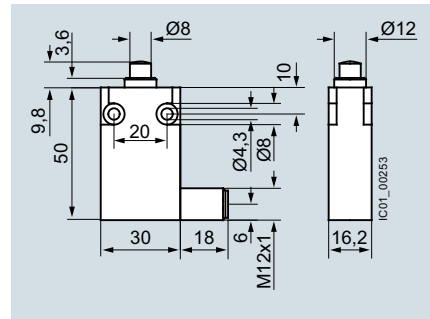
**Rounded plungers, enclosure width 30 mm, with connecting cable**  
3SE5413-0CC20-1EA2



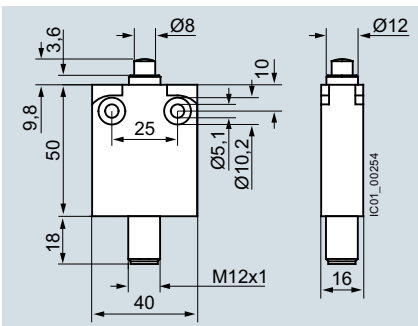
**Rounded plungers, enclosure width 40 mm, with connecting cable**  
3SE5423-0CC20-1EA2



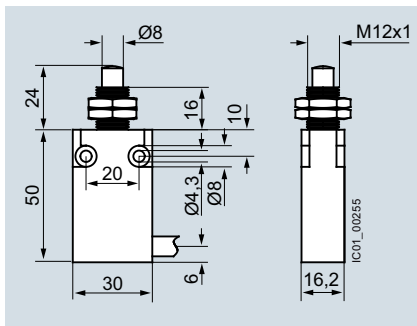
**Rounded plungers, enclosure width 30 mm, with M12 connector socket**  
3SE5413-0CC20-1EB1



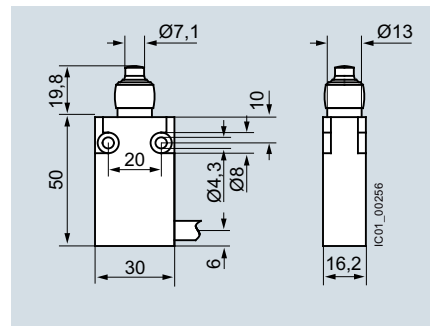
**Rounded plungers, enclosure width 40 mm, with M12 connector socket**  
3SE5423-0CC20-1EB1



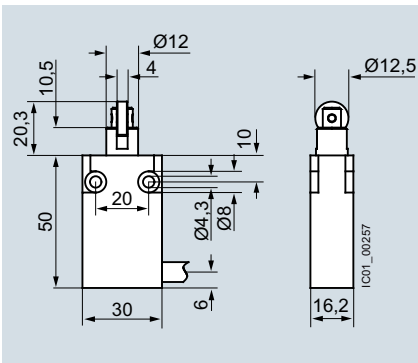
**Rounded plungers, enclosure width 30 mm, with central fixing**  
3SE5413-0CC21-1EA2



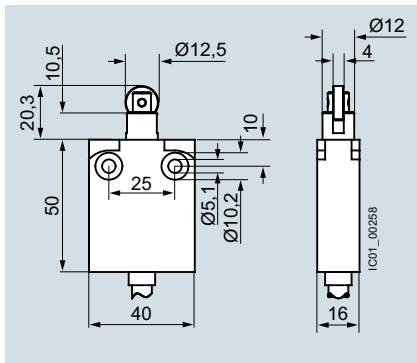
**Rounded plungers, enclosure width 30 mm, with external seal**  
3SE5413-0CC22-1EA2



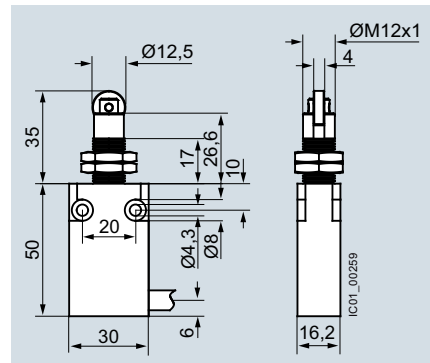
**Roller plungers, enclosure width 30 mm, with connecting cable**  
3SE5413-0CD20-1EA2



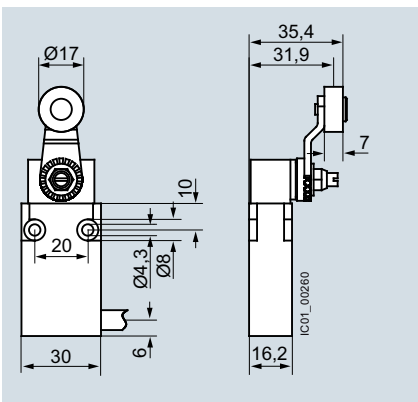
**Roller plungers, enclosure width 40 mm, with connecting cable**  
3SE5423-0CD20-1EA2



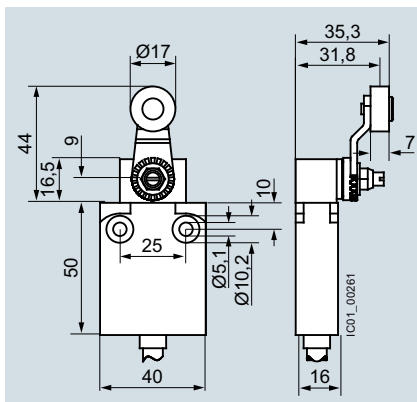
**Roller plungers, enclosure width 30 mm, with central fixing**  
3SE5413-0CD21-1EA2



**Twist levers, enclosure width 30 mm, with connecting cable**  
3SE5413-0CN20-1EA2



**Twist levers, enclosure width 40 mm, with connecting cable**  
3SE5423-0CN20-1EA2



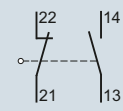
# SIRIUS 3SE5 Mechanical Position Switches

## General data

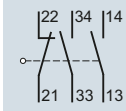
### Circuit diagrams

Enclosure widths 31, 40, 50 and 56 mm

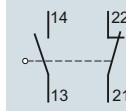
**Slow-action contacts**  
1 NO + 1 NC  
3SE5...-B..., -R...



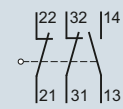
**Slow-action contacts**  
2 NO + 1 NC  
3SE5...-P...



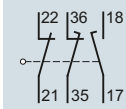
**Snap-action contacts**  
1 NO + 1 NC  
3SE5...-C..., -F..., -G..., -H..., -N...



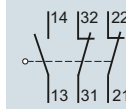
**Slow-action contacts**  
1 NO + 2 NC  
3SE5...-K..., -Q...



**Slow-action contacts**  
1 NO + 2 NC with make-before-break, 3SE5...-M...

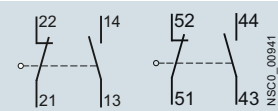


**Snap-action contacts**  
1 NO + 2 NC  
3SE5...-L...

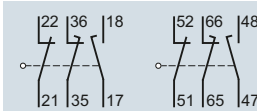


XL enclosures, width 56 mm

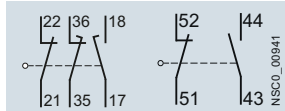
**Slow-action contacts**  
2 x (1 NO + 1 NC)  
3SE5162-0B...



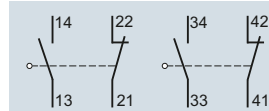
**Slow-action contacts**  
2 x (1 NO + 2 NC) with make-before-break, 3SE5162-0D...



**Slow-action contacts**  
1 NO + 2 NC with make-before-break,  
1 NO + 1 NC  
3SE5162-0E...



**Snap-action contacts**  
2 x (1 NO + 1 NC)  
3SE5162-0C...

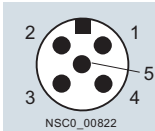


### 3SE5 connector assignment

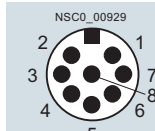
**M12 connector socket, 4-pole**  
3SY3127



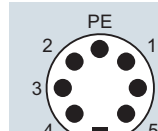
**M12 connector sockets, 5-pole**  
3SY3128



**M12 connector sockets, 8-pole**  
3SY3134



**Connector sockets, 6-pole + PE**  
3SY3131



Article No.	Connector sockets Type	Contacts Version	LEDs Version	Connections									
				Pin 1	Pin 2	Pin 3	Pin 4	Pin 5	Pin 6	Pin 7	Pin 8	PE	
<b>M12 connector sockets, 4-, 5- or 8-pole</b>													
3SE5..4-0.....-1AC4	3SY3127	1 NO + 1 NC	--	21	22	13	14	--	--	--	--	--	
3SE5..4-0.....-1AC5	3SY3128	1 NO + 1 NC	--	21	22	13	14	PE	--	--	--	--	
3SE5..4-0.....-1AE0	3SY3127	2 NC	--	21	22	31	32	--	--	--	--	--	
3SE5..4-0.....-1AE1	3SY3128	2 NC	--	21	22	31	32	PE	--	--	--	--	
3SE5..4-1C....-1AF3	3SY3128	1 NO + 1 NC snap-action	2 LEDs	21	22	13 / LED gn	14 / LED ye	Ground LED	--	--	--	--	
3SE5..4-1B....-1AF3	3SY3128	1 NO + 1 NC slow-action	2 LEDs	21	22	14 / LED gn	13 / LED ye	Ground LED	--	--	--	--	
3SE5..4-1L....-1AD4	3SY3134	1 NO + 2 NC snap-action	2 LEDs	21	22	13 / LED gn	14 / LED ye	31	32	Ground LED	PE	--	
3SE5..4-1K....-1AD4	3SY3134	1 NO + 2 NC slow-action	2 LEDs	21	22	14 / LED gn	13 / LED ye	31	32	Ground LED	PE	--	
<b>Connector sockets, 6-pole + PE</b>													
3SE5..5-0.....-1AD0	3SY3131	1 NO + 1 NC	--	21	22	13	14	--	--	--	--	✓	
3SE5..5-0.....-1AD1	3SY3131	1 NO + 2 NC	--	21	22	13	14	31	32	--	--	✓	
3SE5..5-C....-1AF2	3SY3131	1 NO + 1 NC snap-action	2 LEDs	21	22	13 / LED gn	14 / LED ye	--	Ground LED	--	--	✓	
3SE5..5-B....-1AF2	3SY3131	1 NO + 1 NC slow-action	2 LEDs	21	22	14 / LED gn	13 / LED ye	--	Ground LED	--	--	✓	
3SE5..5-L....-1AD2	3SY3131	2 NC snap-action	2 LEDs	21	22	31	32	13 / LED gn	Ground LED	--	--	✓	
3SE5..5-K....-1AD2	3SY3131	2 NC slow-action	2 LEDs	21	22	31	32	14 / LED gn	Ground LED	--	--	✓	

gn Green  
ye Yellow






✓ Connected  
-- Not available

# SIRIUS 3SE5 Mechanical Position Switches

## 3SE5, Plastic Enclosures

Enclosure width 31 mm acc. to EN 50047

**Complete units**2 or 3 contacts · Degree of protection IP65 · Cable entry M20 × 1.5<sup>1)</sup>

Version	Contacts	LEDs	SD	Complete units	PU (UNIT, SET, M)	PS*	PG	
				Article No.	Price per PU			
<b>Complete units<sup>2)</sup> · Enclosure width 31 mm</b>								
<b>Rounded plungers, type B, acc. to EN 50047</b>								
<b>With teflon plunger</b>								
	Slow-action contacts	1 NO + 1 NC --	⊕ ▶	<b>3SE5232-0BC05</b>	1	1 unit	41K	
	Snap-action contacts	1 NO + 1 NC --	⊕ 5	<b>3SE5232-0CC05</b>	1	1 unit	41K	
	Snap-action contacts, integrated <sup>3)</sup>	1 NO + 1 NC --	⊕ ▶	<b>3SE5232-0HC05</b>	1	1 unit	41K	
	Snap-action contacts • Short stroke, integrated <sup>3)</sup>	1 NO + 1 NC --	⊕ 5	<b>3SE5232-0FC05</b>	1	1 unit	41K	
	Snap-action contacts • 2 × 2 mm contact gap	1 NO + 1 NC --	⊕ 5	<b>3SE5232-0GC05</b>	1	1 unit	41K	
	Slow-action contacts	1 NO + 2 NC --	⊕ ▶	<b>3SE5232-0KC05</b>	1	1 unit	41K	
	Snap-action contacts	1 NO + 2 NC --	⊕ ▶	<b>3SE5232-0LC05</b>	1	1 unit	41K	
	Slow-action contacts with make-before-break	1 NO + 2 NC --	⊕ 2	<b>3SE5232-0MC05</b>	1	1 unit	41K	
	Slow-action contacts	2 NO + 1 NC --	⊕ 2	<b>3SE5232-0PC05</b>	1	1 unit	41K	
	<b>With increased corrosion protection</b>							
	Slow-action contacts	1 NO + 1 NC --	⊕ 5	<b>3SE5232-0BC05-1CA0</b>	1	1 unit	41K	
	Snap-action contacts	1 NO + 1 NC --	⊕ 5	<b>3SE5232-0CC05-1CA0</b>	1	1 unit	41K	
	Slow-action contacts	1 NO + 2 NC --	⊕ 5	<b>3SE5232-0KC05-1CA0</b>	1	1 unit	41K	
	Snap-action contacts	1 NO + 2 NC --	⊕ 5	<b>3SE5232-0LC05-1CA0</b>	1	1 unit	41K	
	Slow-action contacts with make-before-break	1 NO + 2 NC --	⊕ 5	<b>3SE5232-0MC05-1CA0</b>	1	1 unit	41K	
	Slow-action contacts	2 NO + 1 NC --	⊕ 5	<b>3SE5232-0PC05-1CA0</b>	1	1 unit	41K	
	<b>With M12 connector socket, 4-pole (250 V, 4 A)</b>							
	Slow-action contacts	1 NO + 1 NC --	⊕ 5	<b>3SE5234-0BC05-1AC4</b>	1	1 unit	41K	
	Snap-action contacts, integrated <sup>3)</sup>	1 NO + 1 NC --	⊕ 2	<b>3SE5234-0HC05-1AC4</b>	1	1 unit	41K	
	Slow-action contacts	2 NC --	⊕ 5	<b>3SE5234-0KC05-1AE0</b>	1	1 unit	41K	
Snap-action contacts	2 NC --	⊕ 2	<b>3SE5234-0LC05-1AE0</b>	1	1 unit	41K		
<b>With 2 LEDs, yellow/green</b>								
	Slow-action contacts	1 NO + 2 NC 24 V DC	⊕ 5	<b>3SE5232-1KC05</b>	1	1 unit	41K	
	Snap-action contacts	1 NO + 2 NC 24 V DC	⊕ 5	<b>3SE5232-1LC05</b>	1	1 unit	41K	
	Slow-action contacts	1 NO + 2 NC 230 V AC	⊕ 5	<b>3SE5232-3KC05</b>	1	1 unit	41K	
	Snap-action contacts	1 NO + 2 NC 230 V AC	⊕ 5	<b>3SE5232-3LC05</b>	1	1 unit	41K	
<b>With M12 connector socket, 5-pole (125 V, 4 A), and 2 LEDs</b>								
	Slow-action contacts	1 NO + 1 NC 24 V DC	⊕ 5	<b>3SE5234-1BC05-1AF3</b>	1	1 unit	41K	
	Snap-action contacts	1 NO + 1 NC 24 V DC	⊕ 5	<b>3SE5234-1CC05-1AF3</b>	1	1 unit	41K	

⊕ Positive opening according to IEC 60947-5-1, Appendix K.

<sup>1)</sup> A cable gland with seal must be used with the quick-connect method.<sup>2)</sup> Popular versions.<sup>3)</sup> Subsequent replacement of contact blocks is not possible.