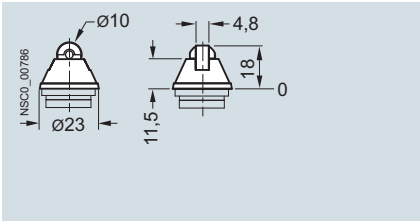
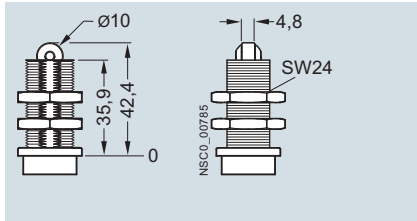


Operating mechanisms for enclosure width 31 mm and 50 mm

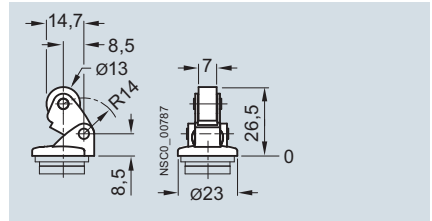
Roller plungers, type C, acc. to EN 50047



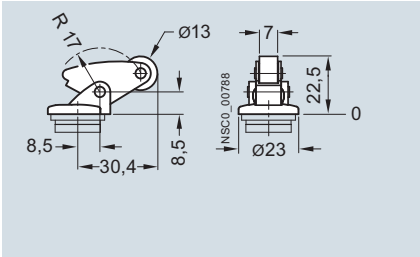
Roller plungers with central fixing



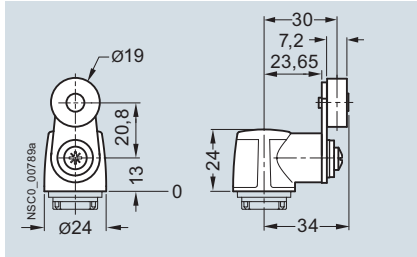
Roller levers, type E, acc. to EN 50047



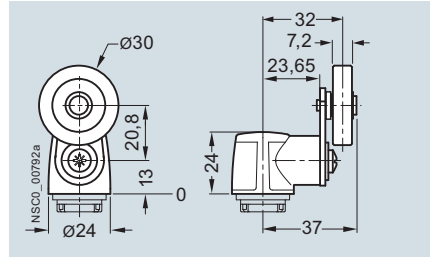
Angular roller levers



Twist levers, type A, acc. to EN 50047

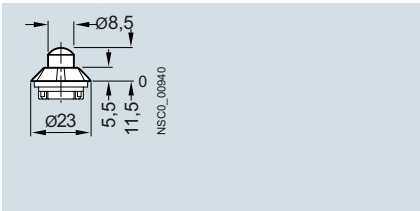


Twist levers, roller 30 mm

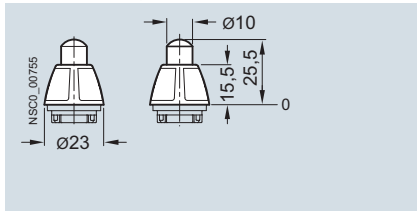


Operating mechanisms for enclosure width 40 mm and 56 mm

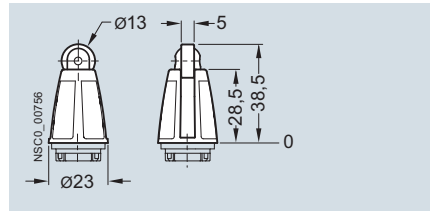
Plain plungers



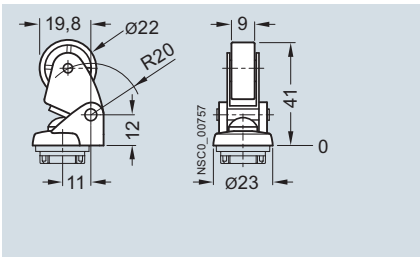
Rounded plungers, type B, acc. to EN 50041



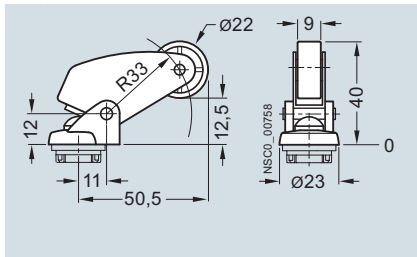
Roller plungers, type C, acc. to EN 50041



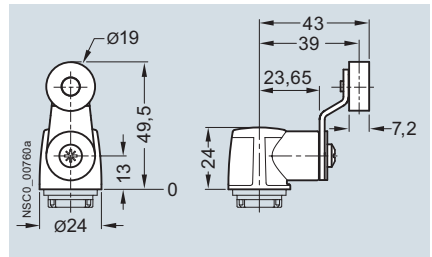
Roller levers



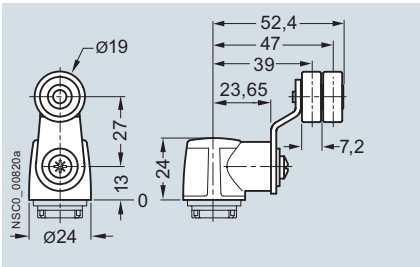
Angular roller levers



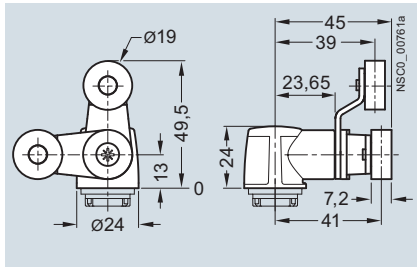
Twist levers, type A, acc. to EN 50041



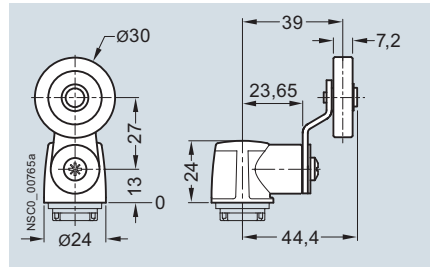
Twist levers, 2 rollers 19 mm



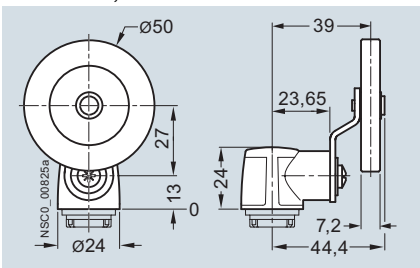
Fork levers, roller 19 mm



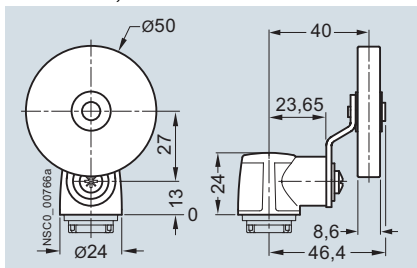
Twist levers, roller 30 mm



Twist levers, roller 50 mm



Twist levers, rubber roller 50 mm

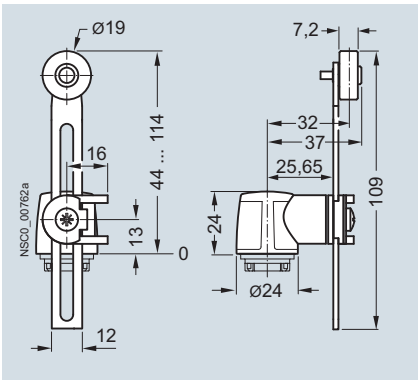


SIRIUS 3SE5 Mechanical Position Switches

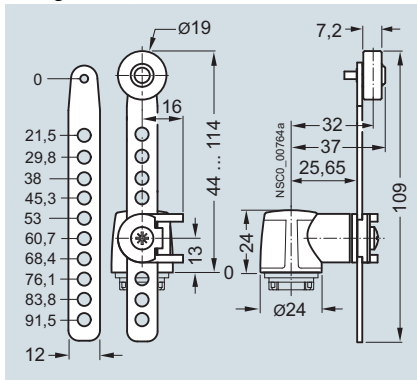
General data

Operating mechanisms for all enclosure widths

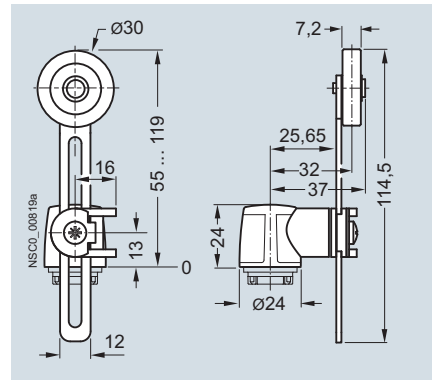
**Twist levers, adjustable length
roller 19 mm**



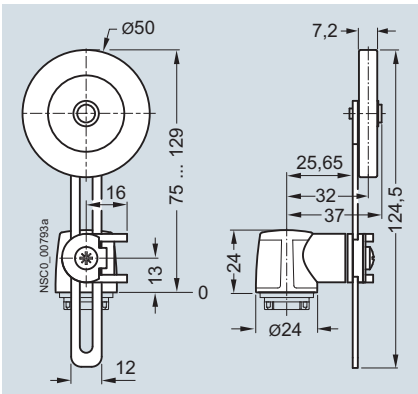
**Twist levers, adjustable length,
with grid hole, roller 19 mm**



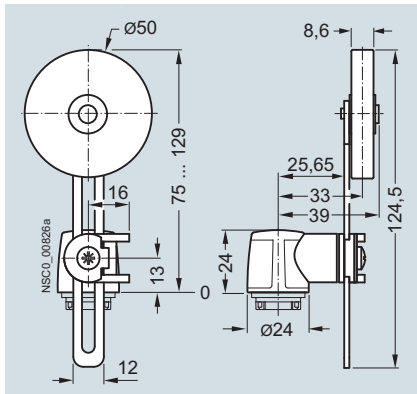
**Twist levers, adjustable length,
roller 30 mm**



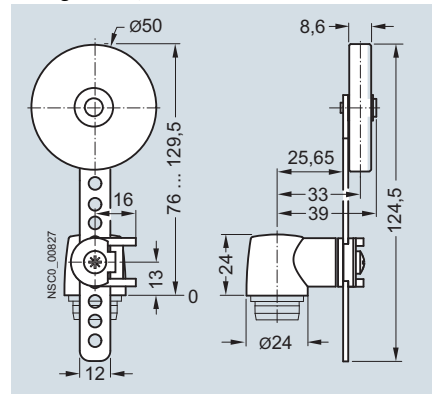
**Twist levers, adjustable length
roller 50 mm**



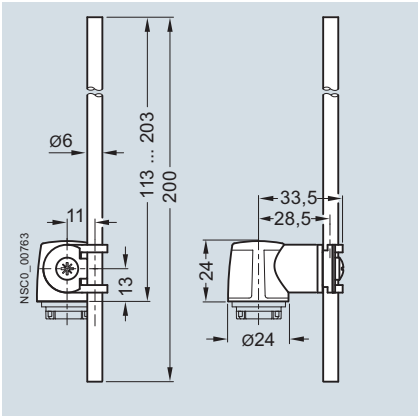
**Twist levers, adjustable length
rubber roller, 50 mm**



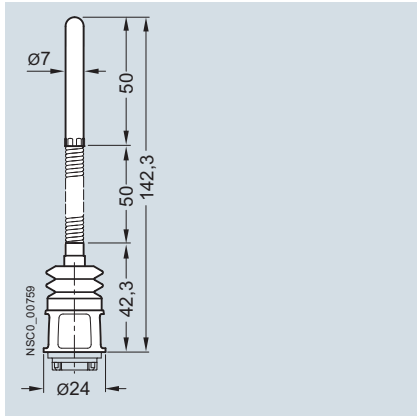
**Twist levers, adjustable length
with grid hole, rubber roller 50 mm**



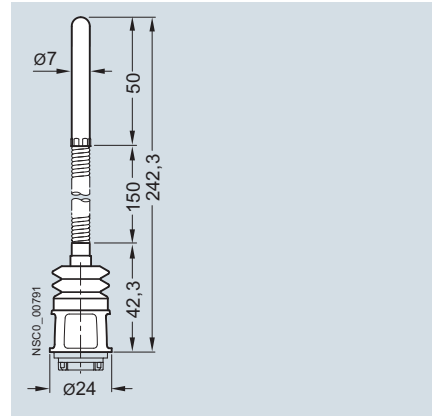
Rod actuator



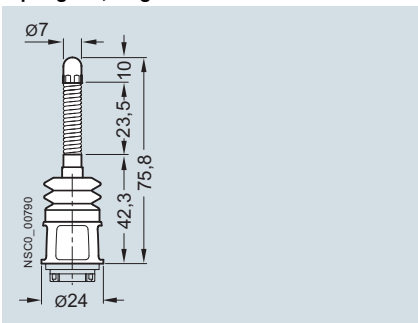
Spring rod, length 142.5 mm



Spring rod, length 242.5 mm

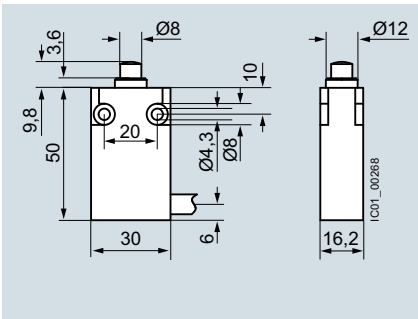


Spring rod, length 76 mm

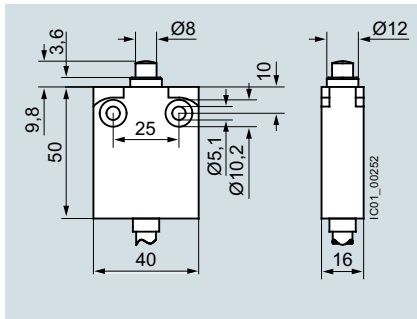


Dimensions of the switches in compact design

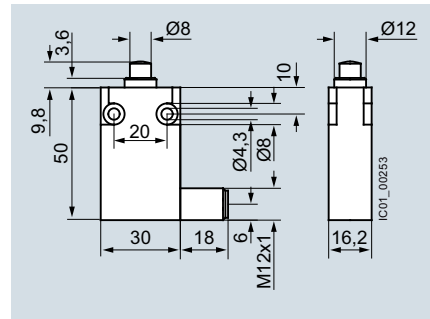
**Rounded plungers, enclosure width 30 mm,
with connecting cable
3SE5413-0CC20-1EA2**



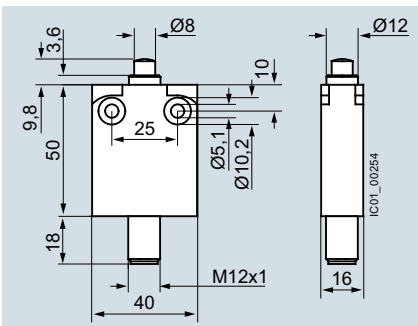
**Rounded plungers, enclosure width 40 mm,
with connecting cable
3SE5423-0CC20-1EA2**



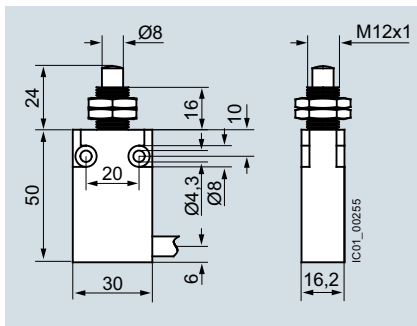
**Rounded plungers, enclosure width 30 mm,
with M12 connector socket
3SE5413-0CC20-1EB1**



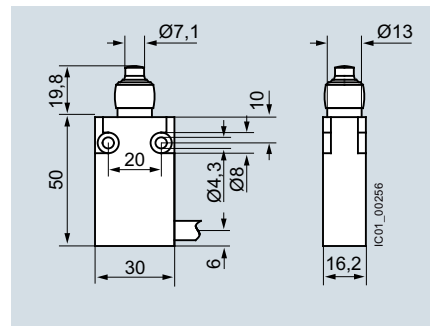
**Rounded plungers, enclosure width 40 mm,
with M12 connector socket
3SE5423-0CC20-1EB1**



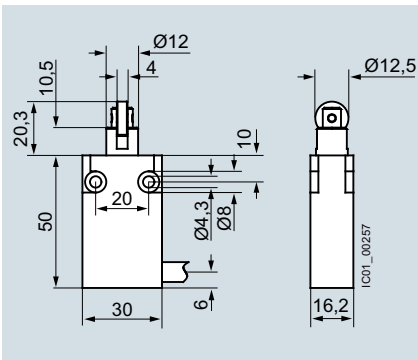
**Rounded plungers, enclosure width 30 mm,
with central fixing
3SE5413-0CC21-1EA2**



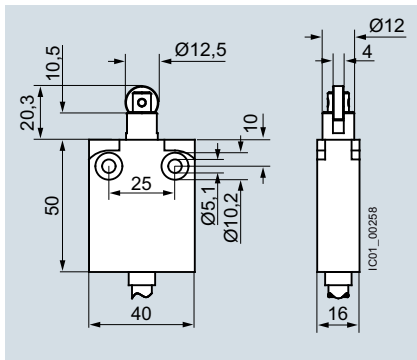
**Rounded plungers, enclosure width 30 mm,
with external seal
3SE5413-0CC22-1EA2**



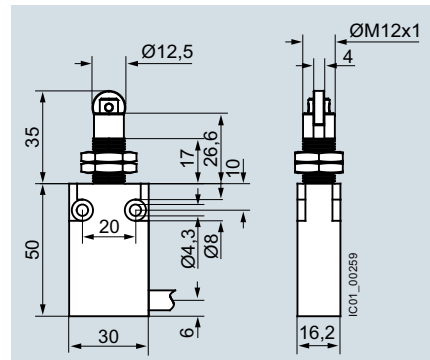
**Roller plungers, enclosure width 30 mm,
with connecting cable
3SE5413-0CD20-1EA2**



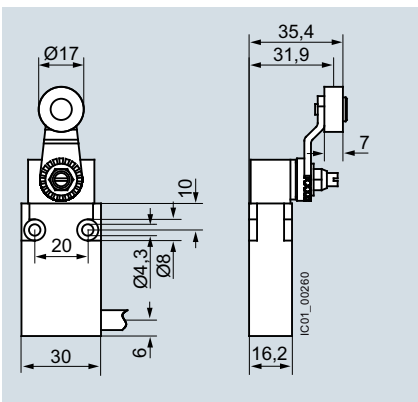
**Roller plungers, enclosure width 40 mm,
with connecting cable
3SE5423-0CD20-1EA2**



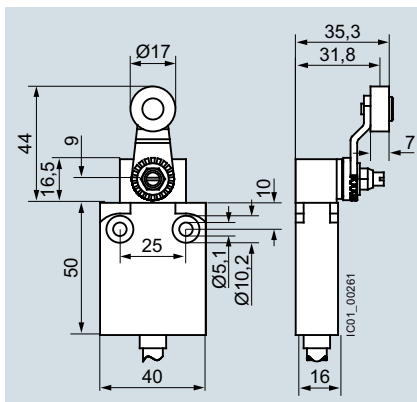
**Roller plungers, enclosure width 30 mm,
with central fixing
3SE5413-0CD21-1EA2**



**Twist levers, enclosure width 30 mm,
with connecting cable
3SE5413-0CN20-1EA2**



**Twist levers, enclosure width 40 mm,
with connecting cable
3SE5423-0CN20-1EA2**



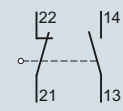
SIRIUS 3SE5 Mechanical Position Switches

General data

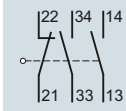
Circuit diagrams

Enclosure widths 31, 40, 50 and 56 mm

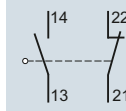
Slow-action contacts
1 NO + 1 NC
3SE5...-B..., -R...



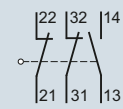
Slow-action contacts
2 NO + 1 NC
3SE5...-P...



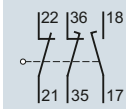
Snap-action contacts
1 NO + 1 NC
3SE5...-C..., -F..., -G..., -H..., -N...



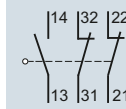
Slow-action contacts
1 NO + 2 NC
3SE5...-K..., -Q...



Slow-action contacts
1 NO + 2 NC with make-before-break, 3SE5...-M...

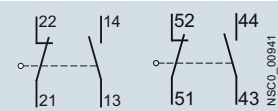


Snap-action contacts
1 NO + 2 NC
3SE5...-L...

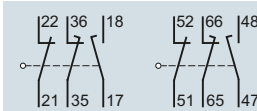


XL enclosures, width 56 mm

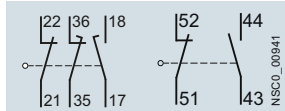
Slow-action contacts
2 x (1 NO + 1 NC)
3SE5162-0B...



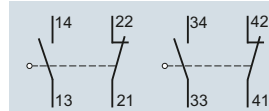
Slow-action contacts
2 x (1 NO + 2 NC) with make-before-break, 3SE5162-0D...



Slow-action contacts
1 NO + 2 NC with make-before-break,
1 NO + 1 NC
3SE5162-0E...



Snap-action contacts
2 x (1 NO + 1 NC)
3SE5162-0C...

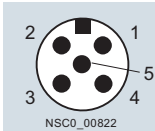


3SE5 connector assignment

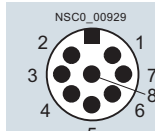
M12 connector socket, 4-pole
3SY3127



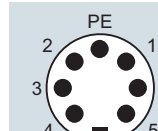
M12 connector sockets, 5-pole
3SY3128



M12 connector sockets, 8-pole
3SY3134



Connector sockets, 6-pole + PE
3SY3131



| Article No. | Connector sockets Type | Contacts Version | LEDs Version | Connections | | | | | | | | | |
|--|---------------------------|----------------------------|-----------------|-------------|-------|----------------|----------------|----------------|---------------|---------------|-------|----|--|
| | | | | Pin 1 | Pin 2 | Pin 3 | Pin 4 | Pin 5 | Pin 6 | Pin 7 | Pin 8 | PE | |
| M12 connector sockets, 4-, 5- or 8-pole | | | | | | | | | | | | | |
| 3SE5..4-0.....1AC4 | 3SY3127 | 1 NO + 1 NC | -- | 21 | 22 | 13 | 14 | -- | -- | -- | -- | -- | |
| 3SE5..4-0.....1AC5 | 3SY3128 | 1 NO + 1 NC | -- | 21 | 22 | 13 | 14 | PE | -- | -- | -- | -- | |
| 3SE5..4-0.....1AE0 | 3SY3127 | 2 NC | -- | 21 | 22 | 31 | 32 | -- | -- | -- | -- | -- | |
| 3SE5..4-0.....1AE1 | 3SY3128 | 2 NC | -- | 21 | 22 | 31 | 32 | PE | -- | -- | -- | -- | |
| 3SE5..4-1C....1AF3 | 3SY3128 | 1 NO + 1 NC snap-action | 2 LEDs | 21 | 22 | 13 / LED gn | 14 / LED ye | Ground LED | -- | -- | -- | -- | |
| 3SE5..4-1B....1AF3 | 3SY3128 | 1 NO + 1 NC slow-action | 2 LEDs | 21 | 22 | 14 / LED gn | 13 / LED ye | Ground LED | -- | -- | -- | -- | |
| 3SE5..4-1L....1AD4 | 3SY3134 | 1 NO + 2 NC snap-action | 2 LEDs | 21 | 22 | 13 / LED gn | 14 / LED ye | 31 | 32 | Ground LED | PE | -- | |
| 3SE5..4-1K....1AD4 | 3SY3134 | 1 NO + 2 NC slow-action | 2 LEDs | 21 | 22 | 14 / LED gn | 13 / LED ye | 31 | 32 | Ground LED | PE | -- | |
| Connector sockets, 6-pole + PE | | | | | | | | | | | | | |
| 3SE5..5-0.....1AD0 | 3SY3131 | 1 NO + 1 NC | -- | 21 | 22 | 13 | 14 | -- | -- | -- | -- | ✓ | |
| 3SE5..5-0.....1AD1 | 3SY3131 | 1 NO + 2 NC | -- | 21 | 22 | 13 | 14 | 31 | 32 | -- | -- | ✓ | |
| 3SE5..5-C....1AF2 | 3SY3131 | 1 NO + 1 NC snap-action | 2 LEDs | 21 | 22 | 13 / LED gn | 14 / LED ye | -- | Ground LED | -- | -- | ✓ | |
| 3SE5..5-B....1AF2 | 3SY3131 | 1 NO + 1 NC slow-action | 2 LEDs | 21 | 22 | 14 / LED gn | 13 / LED ye | -- | Ground LED | -- | -- | ✓ | |
| 3SE5..5-L....1AD2 | 3SY3131 | 2 NC snap-action | 2 LEDs | 21 | 22 | 31 | 32 | 13 / LED gn | Ground LED | -- | -- | ✓ | |
| 3SE5..5-K....1AD2 | 3SY3131 | 2 NC slow-action | 2 LEDs | 21 | 22 | 31 | 32 | 14 / LED gn | Ground LED | -- | -- | ✓ | |

gn Green
ye Yellow






✓ Connected
-- Not available

SIRIUS 3SE5 Mechanical Position Switches

3SE5, Plastic Enclosures

Enclosure width 31 mm acc. to EN 50047

2 or 3 contacts · Degree of protection IP65 · Cable entry M20 × 1.5¹⁾

| Version | Contacts | LEDs | SD | Complete units | PU (UNIT, SET, M) | PS* | PG |
|---|--|----------------|-----|---------------------------|-------------------------|--------|-----|
| | | | | Article No. | Price per PU | | |
| Complete units²⁾ · Enclosure width 31 mm | | | | | | | |
| Spring rod | | | | | | | |
| Length 142.5 mm, with plastic plunger 50 mm | | | | | | | |
|  | Snap-action contacts, integrated ³⁾ | 1 NO + 1 NC -- | 2 | 3SE5232-0HR01 | 1 | 1 unit | 41K |
| With M12 connector socket, 4-pole (250 V, 4 A) | | | | | | | |
| | Snap-action contacts, integrated ³⁾ | 1 NO + 1 NC -- | 5 | 3SE5234-0HR01-1AC4 | 1 | 1 unit | 41K |
| Twist levers, type A, acc. to EN 50047 | | | | | | | |
| With metal lever 21 mm and plastic roller 19 mm | | | | | | | |
|  | Slow-action contacts | 1 NO + 1 NC -- | ⊕ 2 | 3SE5232-0BK21 | 1 | 1 unit | 41K |
| | Snap-action contacts, integrated ³⁾ | 1 NO + 1 NC -- | ⊕ 5 | 3SE5232-0HK21 | 1 | 1 unit | 41K |
| | Slow-action contacts | 1 NO + 2 NC -- | ⊕ 5 | 3SE5232-0KK21 | 1 | 1 unit | 41K |
| | Snap-action contacts | 1 NO + 2 NC -- | ⊕ 5 | 3SE5232-0LK21 | 1 | 1 unit | 41K |
| With M12 connector socket, 4-pole (250 V, 4 A) | | | | | | | |
| | Snap-action contacts, integrated ³⁾ | 1 NO + 1 NC -- | ⊕ 5 | 3SE5234-0HK21-1AC4 | 1 | 1 unit | 41K |
| With metal lever 35 mm and plastic roller 19 mm | | | | | | | |
|  | Snap-action contacts, integrated ³⁾ | 1 NO + 1 NC -- | ⊕ 5 | 3SE5232-0HK15 | 1 | 1 unit | 41K |
| Twist levers, adjustable length | | | | | | | |
| With metal lever with grid hole and plastic roller 19mm | | | | | | | |
|  | Snap-action contacts, integrated ³⁾ | 1 NO + 1 NC -- | ⊕ 2 | 3SE5232-0HK60 | 1 | 1 unit | 41K |
| With metal lever and plastic roller 19 mm | | | | | | | |
| | Slow-action contacts | 1 NO + 1 NC -- | 5 | 3SE5232-0BK50 | 1 | 1 unit | 41K |
| | Snap-action contacts, integrated ³⁾ | 1 NO + 1 NC -- | ▶ | 3SE5232-0HK50 | 1 | 1 unit | 41K |
| | Snap-action contacts | 1 NO + 2 NC -- | 5 | 3SE5232-0LK50 | 1 | 1 unit | 41K |
| With M12 connector socket, 4-pole (250 V, 4 A) | | | | | | | |
| | Snap-action contacts, integrated ³⁾ | 1 NO + 1 NC -- | 5 | 3SE5234-0HK50-1AC4 | 1 | 1 unit | 41K |
| Rod actuator | | | | | | | |
| With aluminum rod, length 200 mm | | | | | | | |
|  | Snap-action contacts, integrated ³⁾ | 1 NO + 1 NC -- | 5 | 3SE5232-0HK80 | 1 | 1 unit | 41K |
| With plastic rod, length 200 mm | | | | | | | |
| | Snap-action contacts, integrated ³⁾ | 1 NO + 1 NC -- | 5 | 3SE5232-0HK82 | 1 | 1 unit | 41K |
| With M12 connector socket, 4-pole (250 V, 4 A) | | | | | | | |
| | Snap-action contacts, integrated ³⁾ | 1 NO + 1 NC -- | 5 | 3SE5234-0HK82-1AC4 | 1 | 1 unit | 41K |

⊕ Positive opening according to IEC 60947-5-1, Appendix K.

1) A cable gland with seal must be used with the quick-connect method.

2) Popular versions.

3) Subsequent replacement of contact blocks is not possible.

Note:If the device you require is not available as a complete unit, see [Modular System, page 12/20](#).