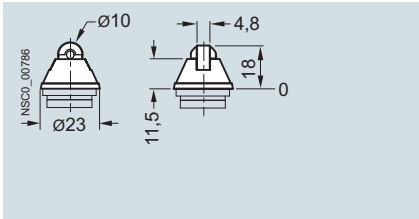
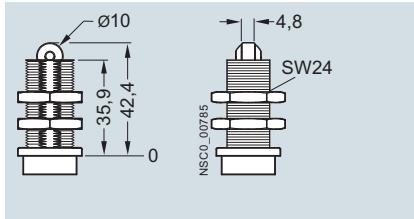


Operating mechanisms for enclosure width 31 mm and 50 mm

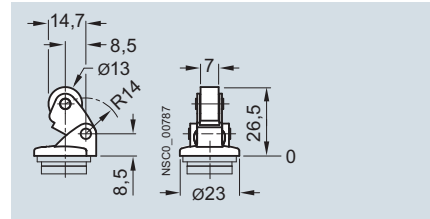
Roller plungers, type C, acc. to EN 50047



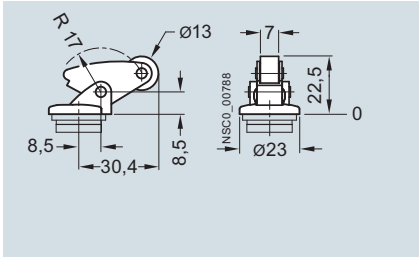
Roller plungers with central fixing



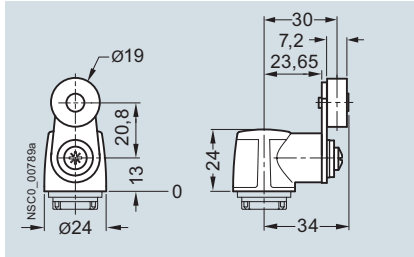
Roller levers, type E, acc. to EN 50047



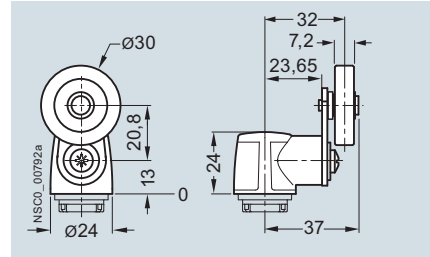
Angular roller levers



Twist levers, type A, acc. to EN 50047

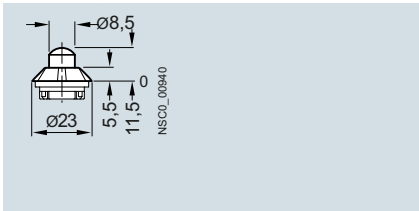


Twist levers, roller 30 mm

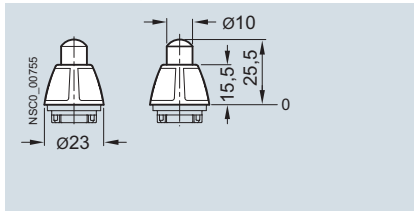


Operating mechanisms for enclosure width 40 mm and 56 mm

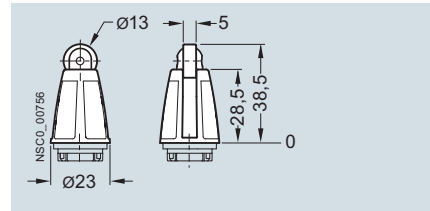
Plain plungers



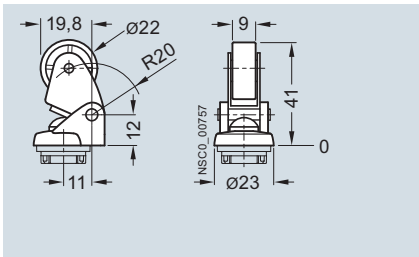
Rounded plungers, type B, acc. to EN 50041



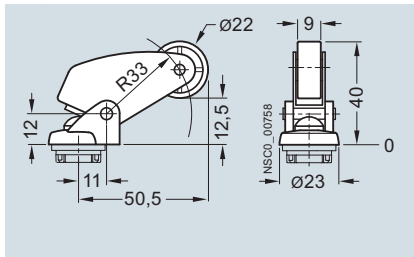
Roller plungers, type C, acc. to EN 50041



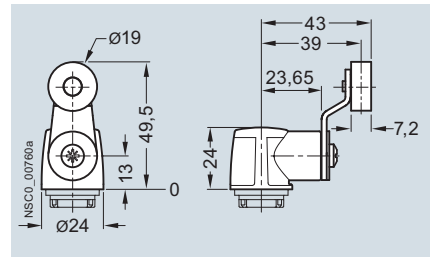
Roller levers



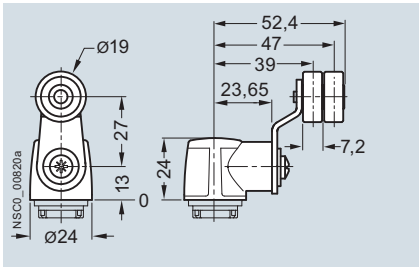
Angular roller levers



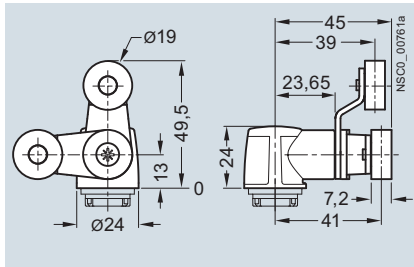
Twist levers, type A, acc. to EN 50041



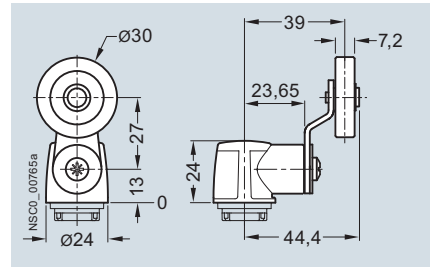
Twist levers, 2 rollers 19 mm



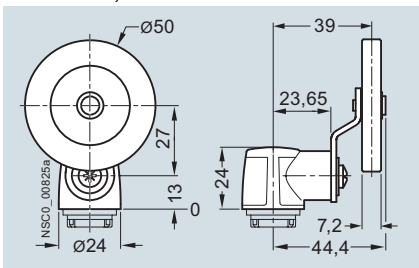
Fork levers, roller 19 mm



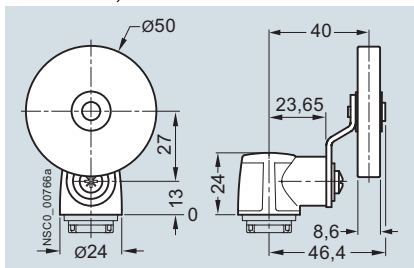
Twist levers, roller 30 mm



Twist levers, roller 50 mm



Twist levers, rubber roller 50 mm

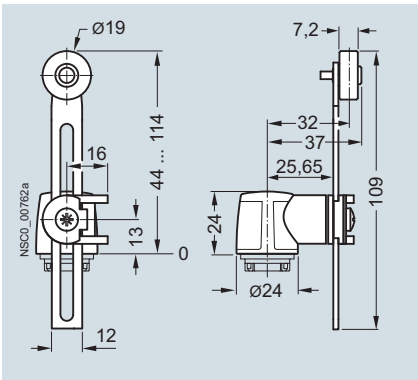


SIRIUS 3SE5 Mechanical Position Switches

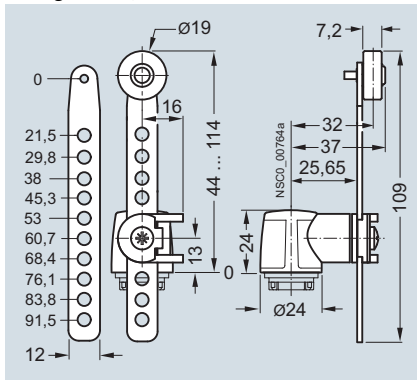
General data

Operating mechanisms for all enclosure widths

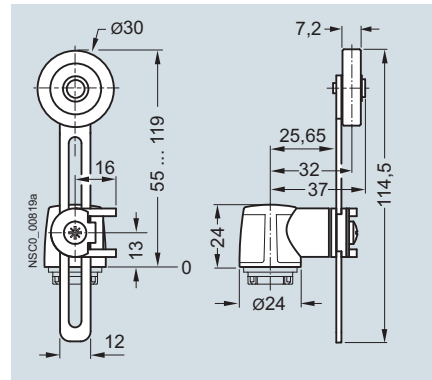
Twist levers, adjustable length
roller 19 mm



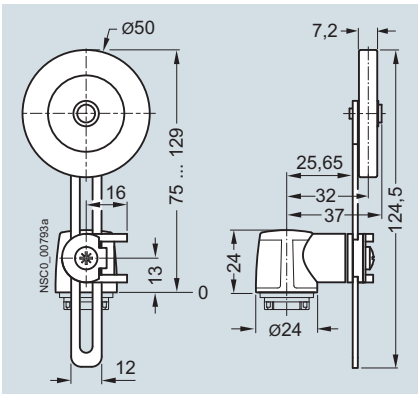
Twist levers, adjustable length,
with grid hole, roller 19 mm



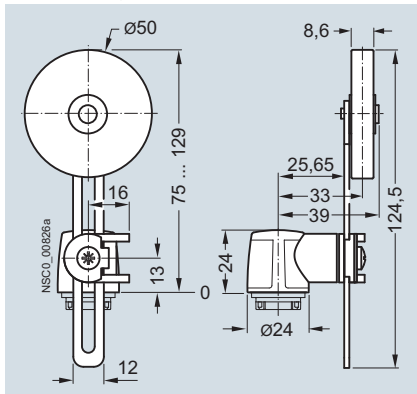
Twist levers, adjustable length,
roller 30 mm



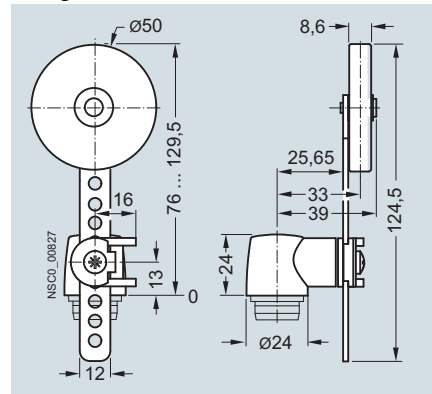
Twist levers, adjustable length
roller 50 mm



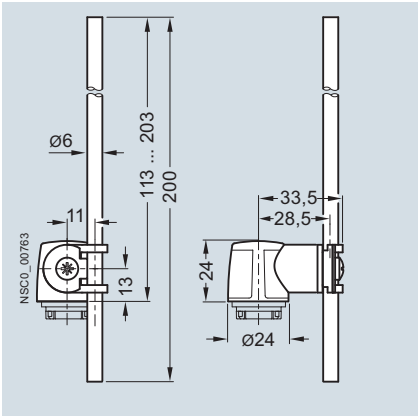
Twist levers, adjustable length
rubber roller, 50 mm



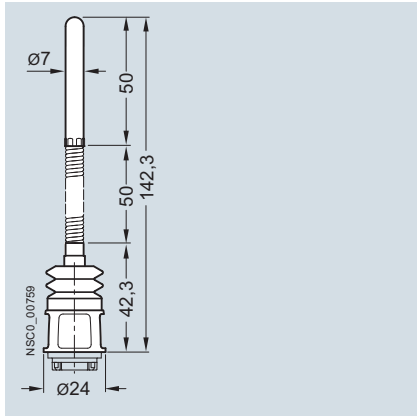
Twist levers, adjustable length
with grid hole, rubber roller 50 mm



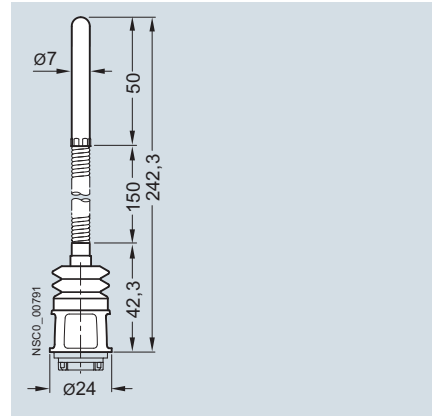
Rod actuator



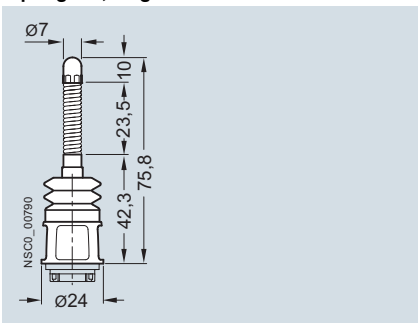
Spring rod, length 142.5 mm



Spring rod, length 242.5 mm

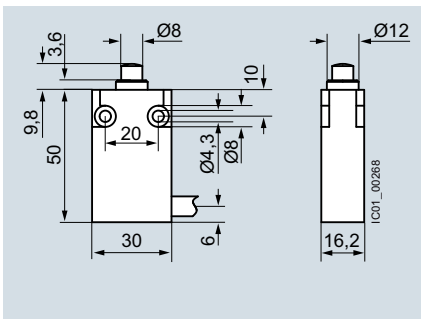


Spring rod, length 76 mm

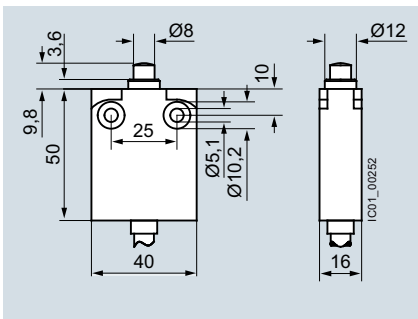


Dimensions of the switches in compact design

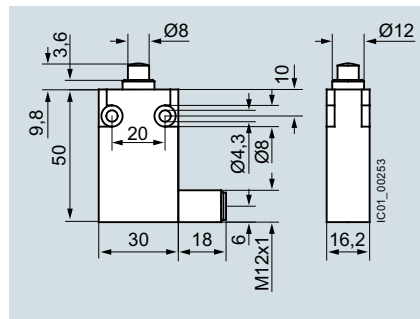
**Rounded plungers, enclosure width 30 mm, with connecting cable
3SE5413-0CC20-1EA2**



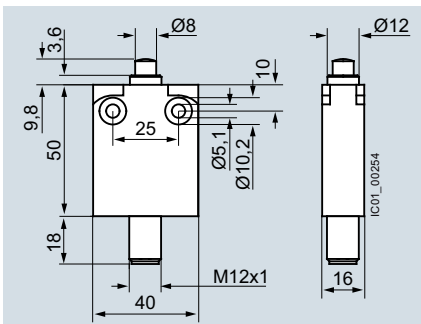
**Rounded plungers, enclosure width 40 mm, with connecting cable
3SE5423-0CC20-1EA2**



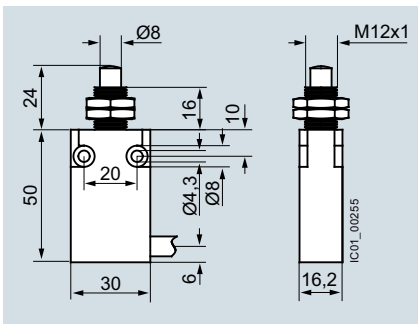
**Rounded plungers, enclosure width 30 mm, with M12 connector socket
3SE5413-0CC20-1EB1**



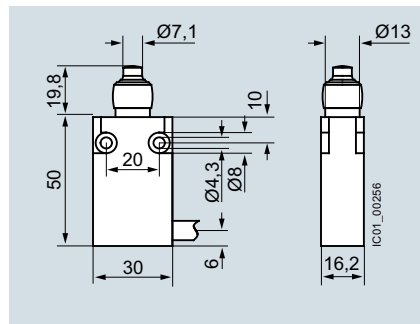
**Rounded plungers, enclosure width 40 mm, with M12 connector socket
3SE5423-0CC20-1EB1**



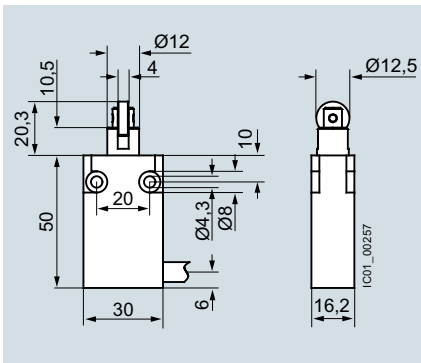
**Rounded plungers, enclosure width 30 mm, with central fixing
3SE5413-0CC21-1EA2**



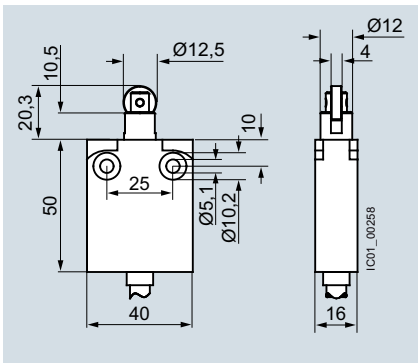
**Rounded plungers, enclosure width 30 mm, with external seal
3SE5413-0CC22-1EA2**



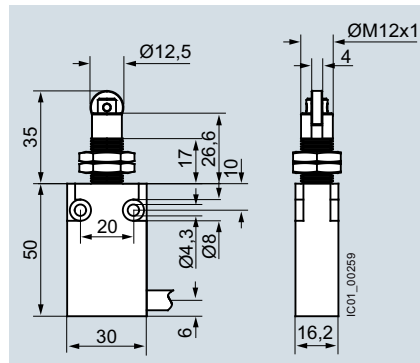
**Roller plungers, enclosure width 30 mm, with connecting cable
3SE5413-0CD20-1EA2**



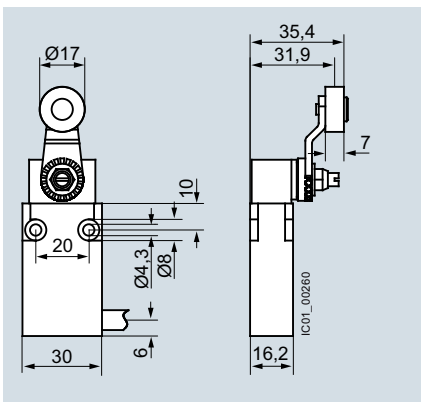
**Roller plungers, enclosure width 40 mm, with connecting cable
3SE5423-0CD20-1EA2**



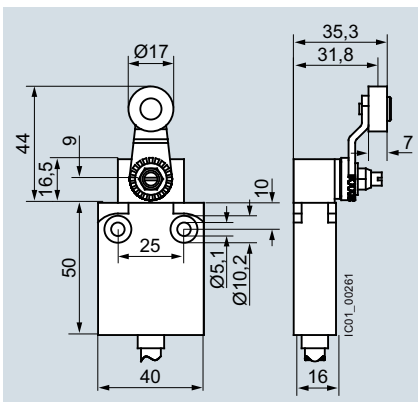
**Roller plungers, enclosure width 30 mm, with central fixing
3SE5413-0CD21-1EA2**



**Twist levers, enclosure width 30 mm, with connecting cable
3SE5413-0CN20-1EA2**



**Twist levers, enclosure width 40 mm, with connecting cable
3SE5423-0CN20-1EA2**



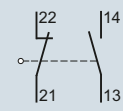
SIRIUS 3SE5 Mechanical Position Switches

General data

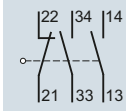
Circuit diagrams

Enclosure widths 31, 40, 50 and 56 mm

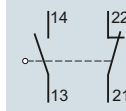
Slow-action contacts
1 NO + 1 NC
3SE5...-B..., -R...



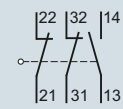
Slow-action contacts
2 NO + 1 NC
3SE5...-P...



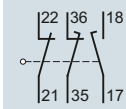
Snap-action contacts
1 NO + 1 NC
3SE5...-C..., -F..., -G..., -H..., -N...



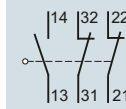
Slow-action contacts
1 NO + 2 NC
3SE5...-K..., -Q...



Slow-action contacts
1 NO + 2 NC with make-before-break, 3SE5...-M...

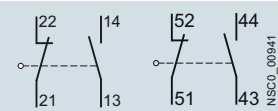


Snap-action contacts
1 NO + 2 NC
3SE5...-L...

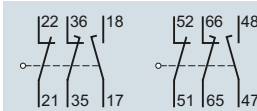


XL enclosures, width 56 mm

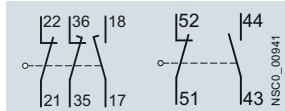
Slow-action contacts
2 x (1 NO + 1 NC)
3SE5162-0B...



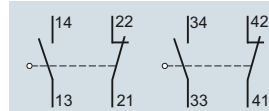
Slow-action contacts
2 x (1 NO + 2 NC) with make-before-break, 3SE5162-0D...



Slow-action contacts
1 NO + 2 NC with make-before-break,
1 NO + 1 NC
3SE5162-0E...



Snap-action contacts
2 x (1 NO + 1 NC)
3SE5162-0C...

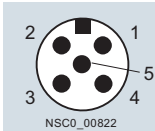


3SE5 connector assignment

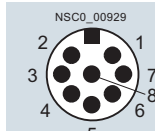
M12 connector socket, 4-pole
3SY3127



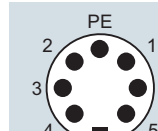
M12 connector sockets, 5-pole
3SY3128



M12 connector sockets, 8-pole
3SY3134



Connector sockets, 6-pole + PE
3SY3131



Article No.	Connector sockets Type	Contacts Version	LEDs Version	Connections									
				Pin 1	Pin 2	Pin 3	Pin 4	Pin 5	Pin 6	Pin 7	Pin 8	PE	
M12 connector sockets, 4-, 5- or 8-pole													
3SE5..4-0.....-1AC4	3SY3127	1 NO + 1 NC	--	21	22	13	14	--	--	--	--	--	
3SE5..4-0.....-1AC5	3SY3128	1 NO + 1 NC	--	21	22	13	14	PE	--	--	--	--	
3SE5..4-0.....-1AE0	3SY3127	2 NC	--	21	22	31	32	--	--	--	--	--	
3SE5..4-0.....-1AE1	3SY3128	2 NC	--	21	22	31	32	PE	--	--	--	--	
3SE5..4-1C....-1AF3	3SY3128	1 NO + 1 NC snap-action	2 LEDs	21	22	13 / LED gn	14 / LED ye	Ground LED	--	--	--	--	
3SE5..4-1B....-1AF3	3SY3128	1 NO + 1 NC slow-action	2 LEDs	21	22	14 / LED gn	13 / LED ye	Ground LED	--	--	--	--	
3SE5..4-1L....-1AD4	3SY3134	1 NO + 2 NC snap-action	2 LEDs	21	22	13 / LED gn	14 / LED ye	31	32	Ground LED	PE	--	
3SE5..4-1K....-1AD4	3SY3134	1 NO + 2 NC slow-action	2 LEDs	21	22	14 / LED gn	13 / LED ye	31	32	Ground LED	PE	--	
Connector sockets, 6-pole + PE													
3SE5..5-0.....-1AD0	3SY3131	1 NO + 1 NC	--	21	22	13	14	--	--	--	--	✓	
3SE5..5-0.....-1AD1	3SY3131	1 NO + 2 NC	--	21	22	13	14	31	32	--	--	✓	
3SE5..5-C....-1AF2	3SY3131	1 NO + 1 NC snap-action	2 LEDs	21	22	13 / LED gn	14 / LED ye	--	Ground LED	--	--	✓	
3SE5..5-B....-1AF2	3SY3131	1 NO + 1 NC slow-action	2 LEDs	21	22	14 / LED gn	13 / LED ye	--	Ground LED	--	--	✓	
3SE5..5-L....-1AD2	3SY3131	2 NC snap-action	2 LEDs	21	22	31	32	13 / LED gn	Ground LED	--	--	✓	
3SE5..5-K....-1AD2	3SY3131	2 NC slow-action	2 LEDs	21	22	31	32	14 / LED gn	Ground LED	--	--	✓	

gn Green
ye Yellow





✓ Connected
-- Not available

SIRIUS 3SE5 Mechanical Position Switches

3SE5, Plastic Enclosures

Enclosure width 31 mm acc. to EN 50047

2 or 3 contacts · Degree of protection IP65 · Cable entry M20 × 1.5¹⁾

Version	Contacts	LEDs	SD	Complete units	PU (UNIT, SET, M)	PS*	PG
				Article No.	Price per PU		
Complete units²⁾ · Enclosure width 31 mm							
	Roller plungers, type C, acc. to EN 50047						
	With plastic roller 10 mm						
	Slow-action contacts	1 NO + 1 NC --	⊕ 5	3SE5232-0BD03	1	1 unit	41K
	Snap-action contacts • integrated ³⁾	1 NO + 1 NC --	⊕ ▶	3SE5232-0HD03	1	1 unit	41K
	Snap-action contacts • Short stroke, integrated ³⁾	1 NO + 1 NC --	⊕ 5	3SE5232-0FD03	1	1 unit	41K
	Slow-action contacts	1 NO + 2 NC --	⊕ 5	3SE5232-0KD03	1	1 unit	41K
	Snap-action contacts	1 NO + 2 NC --	⊕ 5	3SE5232-0LD03	1	1 unit	41K
	Actuator head rotated by 90°						
	Snap-action contacts	1 NO + 2 NC --	⊕ 5	3SE5232-0LD03-1AH0	1	1 unit	41K
	With M12 connector socket, 4-pole (250 V, 4 A)						
	Snap-action contacts, integrated ³⁾	1 NO + 1 NC --	⊕ 5	3SE5234-0HD03-1AC4	1	1 unit	41K
	With yellow cover						
	Snap-action contacts	1 NO + 2 NC --	⊕ 5	3SE5232-0LD03-1AG0	1	1 unit	41K
	Roller plungers with central fixing						
	With plastic roller 10 mm						
	Snap-action contacts, integrated ³⁾	1 NO + 1 NC --	⊕ 5	3SE5232-0HD10	1	1 unit	41K
	Slow-action contacts	1 NO + 2 NC --	⊕ 5	3SE5232-0KD10	1	1 unit	41K
							
	Roller levers, type E acc. to EN 50047						
	With metal lever and plastic roller 13 mm						
	Slow-action contacts	1 NO + 1 NC --	⊕ 2	3SE5232-0BE10	1	1 unit	41K
	Snap-action contacts, integrated ³⁾	1 NO + 1 NC --	⊕ ▶	3SE5232-0HE10	1	1 unit	41K
	Slow-action contacts	1 NO + 2 NC --	⊕ 5	3SE5232-0KE10	1	1 unit	41K
	Snap-action contacts	1 NO + 2 NC --	⊕ 5	3SE5232-0LE10	1	1 unit	41K
	With increased corrosion protection, with high-grade steel lever and plastic roller 13 mm						
	Snap-action contacts	1 NO + 1 NC --	⊕ 5	3SE5232-0CE12-1CA0	1	1 unit	41K
	With M12 connector socket, 4-pole (250 V, 4 A)						
	Snap-action contacts, integrated ³⁾	1 NO + 1 NC --	⊕ 5	3SE5234-0HE10-1AC4	1	1 unit	41K
	With high-grade steel lever and plastic roller 13 mm						
	Snap-action contacts	1 NO + 2 NC --	⊕ 5	3SE5232-0LE12	1	1 unit	41K
	Angular roller lever						
	With metal lever and plastic roller 13 mm						
	Slow-action contacts	1 NO + 1 NC --	⊕ 5	3SE5232-0BF10	1	1 unit	41K
	Snap-action contacts, integrated ³⁾	1 NO + 1 NC --	⊕ 2	3SE5232-0HF10	1	1 unit	41K
	Slow-action contacts	1 NO + 2 NC --	⊕ 5	3SE5232-0KF10	1	1 unit	41K
	Snap-action contacts	1 NO + 2 NC --	⊕ 5	3SE5232-0LF10	1	1 unit	41K
							

⊕ Positive opening according to IEC 60947-5-1, Appendix K.

1) A cable gland with seal must be used with the quick-connect method.

2) Popular versions.

3) Subsequent replacement of contact blocks is not possible.