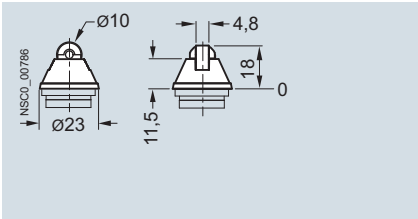
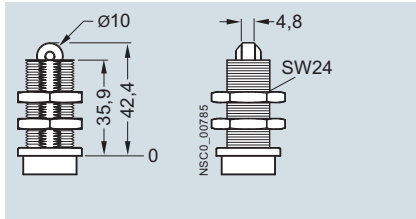


Operating mechanisms for enclosure width 31 mm and 50 mm

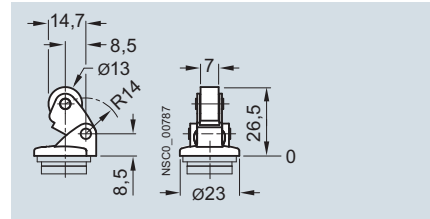
Roller plungers, type C, acc. to EN 50047



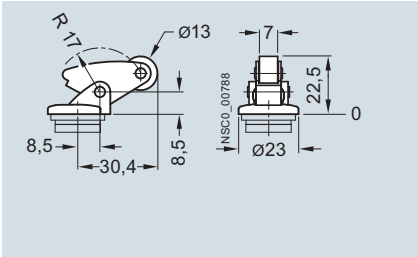
Roller plungers with central fixing



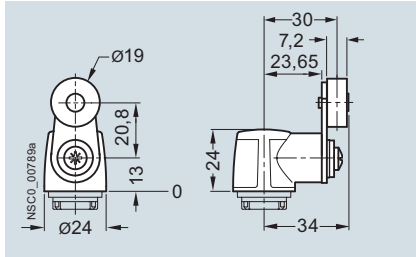
Roller levers, type E, acc. to EN 50047



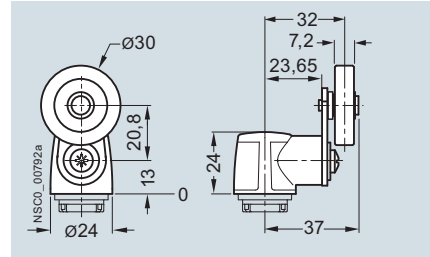
Angular roller levers



Twist levers, type A, acc. to EN 50047

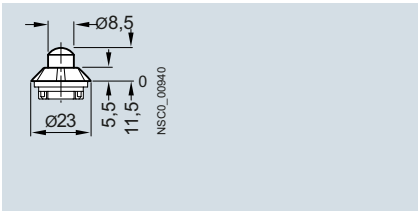


Twist levers, roller 30 mm

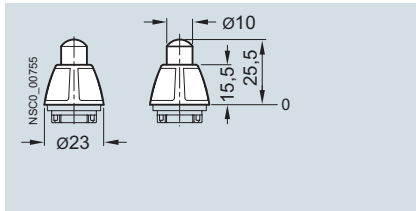


Operating mechanisms for enclosure width 40 mm and 56 mm

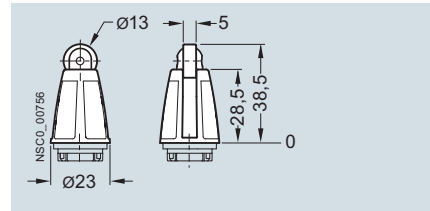
Plain plungers



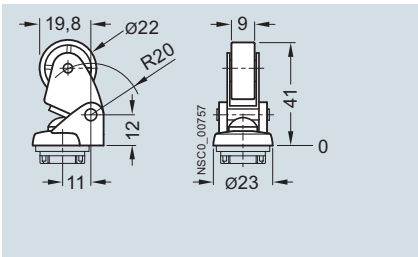
Rounded plungers, type B, acc. to EN 50041



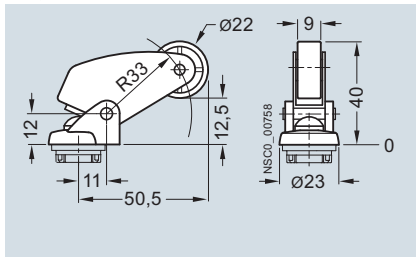
Roller plungers, type C, acc. to EN 50041



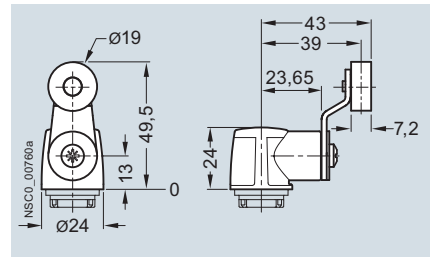
Roller levers



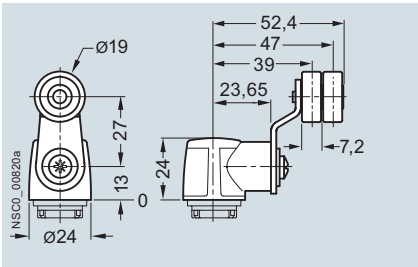
Angular roller levers



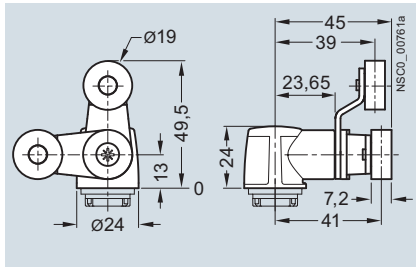
Twist levers, type A, acc. to EN 50041



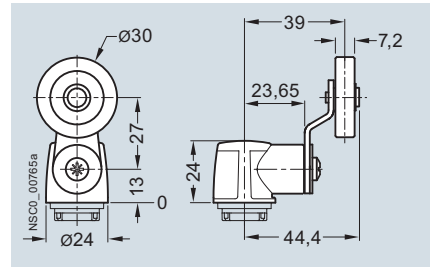
Twist levers, 2 rollers 19 mm



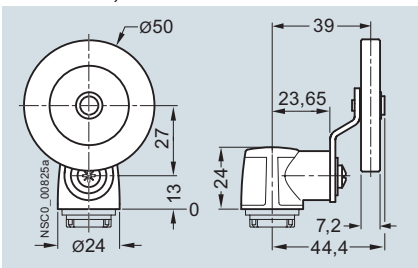
Fork levers, roller 19 mm



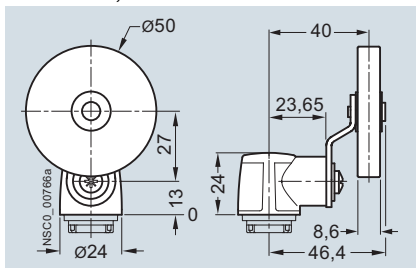
Twist levers, roller 30 mm



Twist levers, roller 50 mm



Twist levers, rubber roller 50 mm

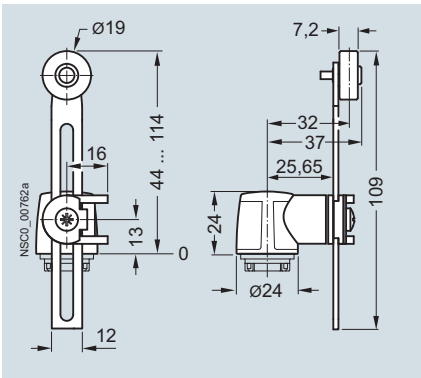


SIRIUS 3SE5 Mechanical Position Switches

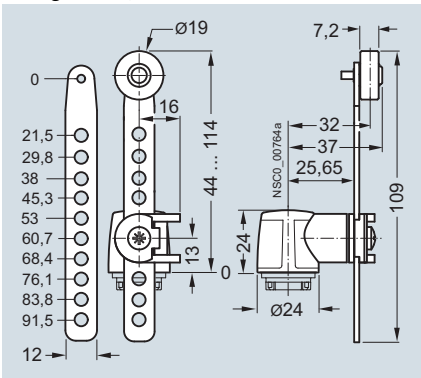
General data

Operating mechanisms for all enclosure widths

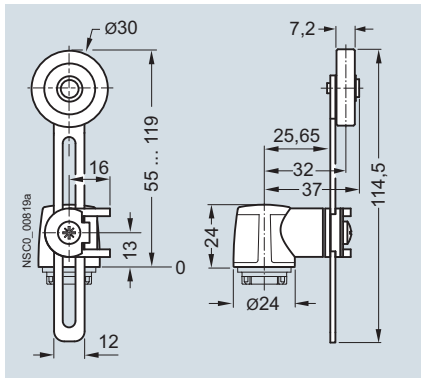
Twist levers, adjustable length
roller 19 mm



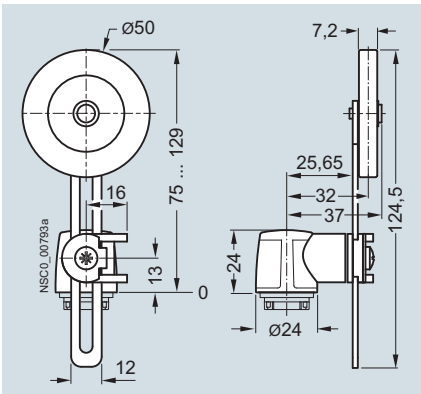
Twist levers, adjustable length,
with grid hole, roller 19 mm



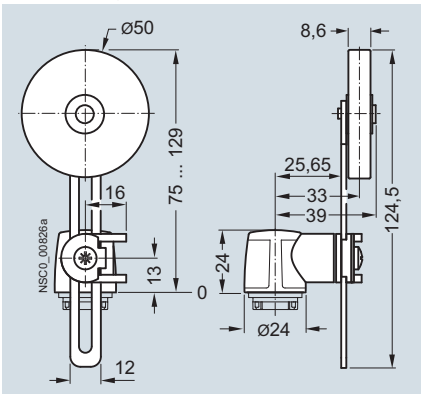
Twist levers, adjustable length,
roller 30 mm



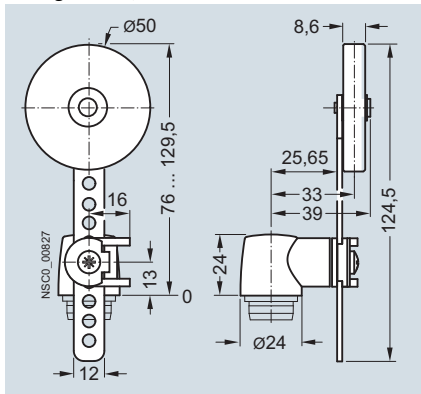
Twist levers, adjustable length
roller 50 mm



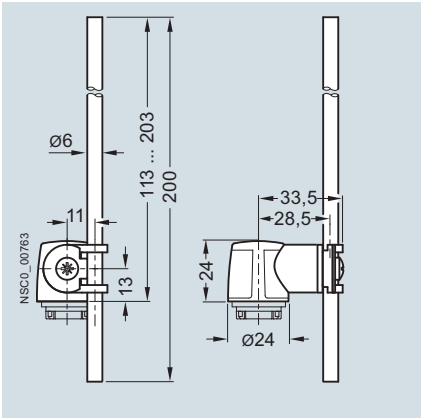
Twist levers, adjustable length
rubber roller, 50 mm



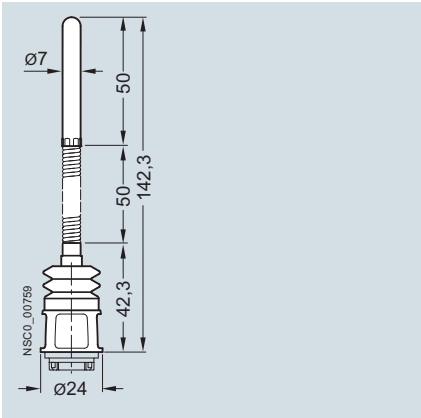
Twist levers, adjustable length
with grid hole, rubber roller 50 mm



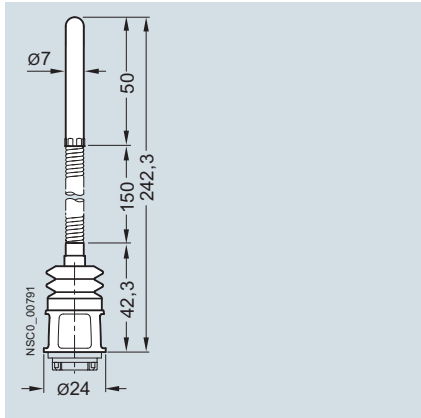
Rod actuator



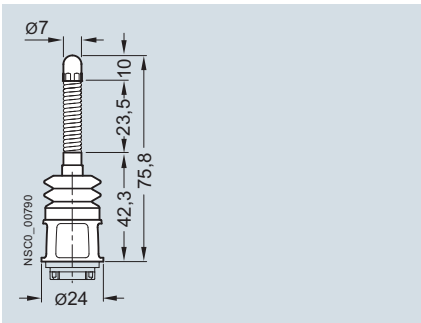
Spring rod, length 142.5 mm



Spring rod, length 242.5 mm

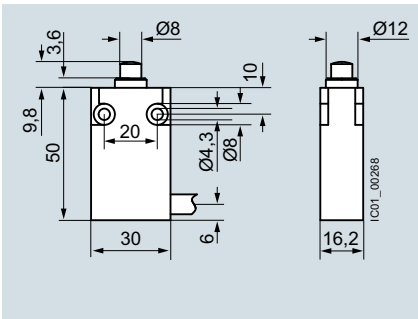


Spring rod, length 76 mm

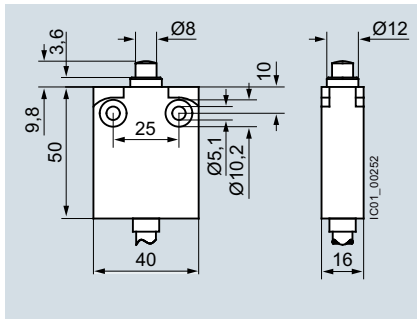


Dimensions of the switches in compact design

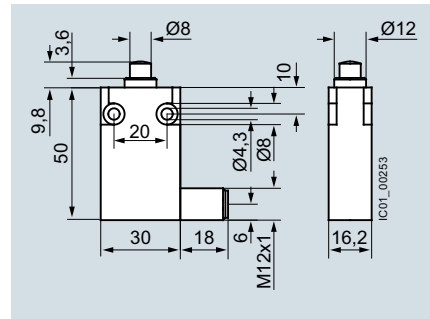
**Rounded plungers, enclosure width 30 mm,
with connecting cable
3SE5413-0CC20-1EA2**



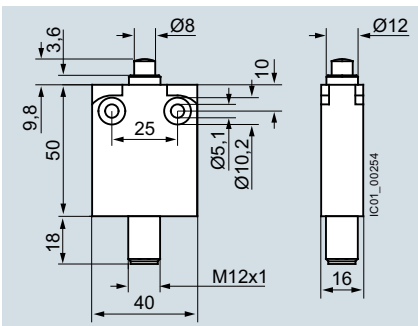
**Rounded plungers, enclosure width 40 mm,
with connecting cable
3SE5423-0CC20-1EA2**



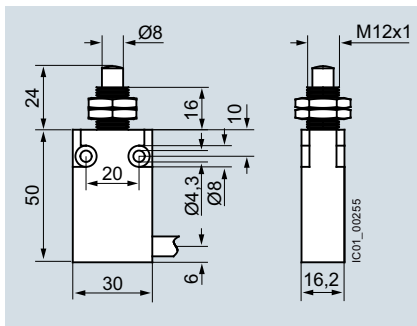
**Rounded plungers, enclosure width 30 mm,
with M12 connector socket
3SE5413-0CC20-1EB1**



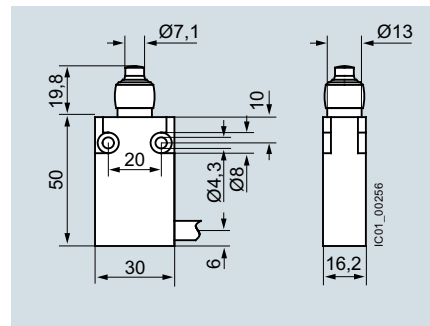
**Rounded plungers, enclosure width 40 mm,
with M12 connector socket
3SE5423-0CC20-1EB1**



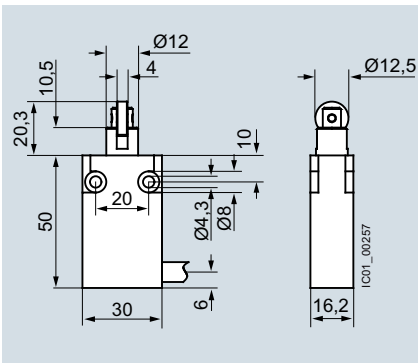
**Rounded plungers, enclosure width 30 mm,
with central fixing
3SE5413-0CC21-1EA2**



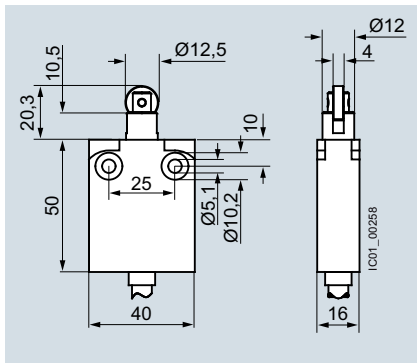
**Rounded plungers, enclosure width 30 mm,
with external seal
3SE5413-0CC22-1EA2**



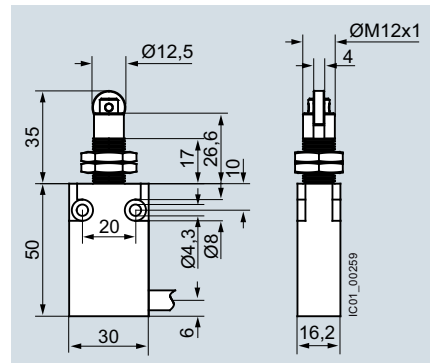
**Roller plungers, enclosure width 30 mm,
with connecting cable
3SE5413-0CD20-1EA2**



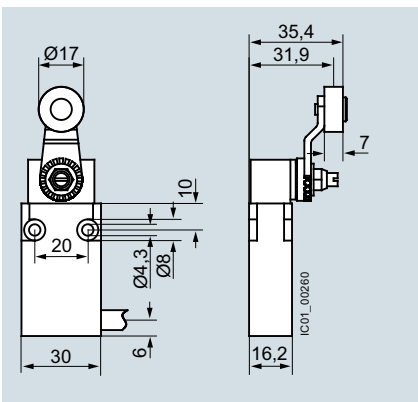
**Roller plungers, enclosure width 40 mm,
with connecting cable
3SE5423-0CD20-1EA2**



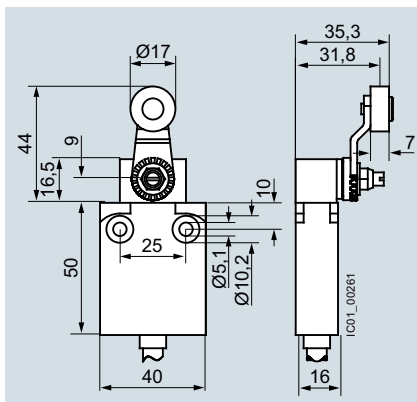
**Roller plungers, enclosure width 30 mm,
with central fixing
3SE5413-0CD21-1EA2**



**Twist levers, enclosure width 30 mm,
with connecting cable
3SE5413-0CN20-1EA2**



**Twist levers, enclosure width 40 mm,
with connecting cable
3SE5423-0CN20-1EA2**



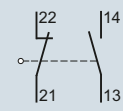
SIRIUS 3SE5 Mechanical Position Switches

General data

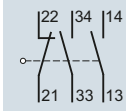
Circuit diagrams

Enclosure widths 31, 40, 50 and 56 mm

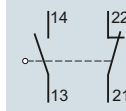
Slow-action contacts
1 NO + 1 NC
3SE5...-B..., -R...



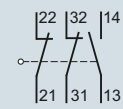
Slow-action contacts
2 NO + 1 NC
3SE5...-P...



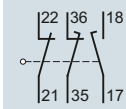
Snap-action contacts
1 NO + 1 NC
3SE5...-C..., -F..., -G..., -H..., -N...



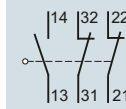
Slow-action contacts
1 NO + 2 NC
3SE5...-K..., -Q...



Slow-action contacts
1 NO + 2 NC with make-before-break, 3SE5...-M...

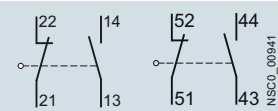


Snap-action contacts
1 NO + 2 NC
3SE5...-L...

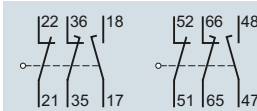


XL enclosures, width 56 mm

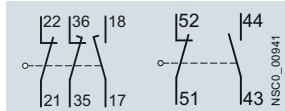
Slow-action contacts
2 x (1 NO + 1 NC)
3SE5162-0B...



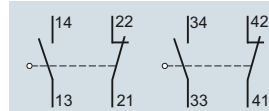
Slow-action contacts
2 x (1 NO + 2 NC) with make-before-break, 3SE5162-0D...



Slow-action contacts
1 NO + 2 NC with make-before-break,
1 NO + 1 NC
3SE5162-0E...



Snap-action contacts
2 x (1 NO + 1 NC)
3SE5162-0C...

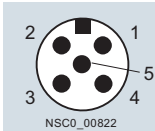


3SE5 connector assignment

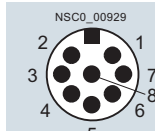
M12 connector socket, 4-pole
3SY3127



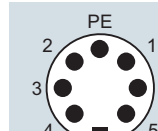
M12 connector sockets, 5-pole
3SY3128



M12 connector sockets, 8-pole
3SY3134



Connector sockets, 6-pole + PE
3SY3131



Article No.	Connector sockets Type	Contacts Version	LEDs Version	Connections									
				Pin 1	Pin 2	Pin 3	Pin 4	Pin 5	Pin 6	Pin 7	Pin 8	PE	
M12 connector sockets, 4-, 5- or 8-pole													
3SE5..4-0.....-1AC4	3SY3127	1 NO + 1 NC	--	21	22	13	14	--	--	--	--	--	
3SE5..4-0.....-1AC5	3SY3128	1 NO + 1 NC	--	21	22	13	14	PE	--	--	--	--	
3SE5..4-0.....-1AE0	3SY3127	2 NC	--	21	22	31	32	--	--	--	--	--	
3SE5..4-0.....-1AE1	3SY3128	2 NC	--	21	22	31	32	PE	--	--	--	--	
3SE5..4-1C....-1AF3	3SY3128	1 NO + 1 NC snap-action	2 LEDs	21	22	13 / LED gn	14 / LED ye	Ground LED	--	--	--	--	
3SE5..4-1B....-1AF3	3SY3128	1 NO + 1 NC slow-action	2 LEDs	21	22	14 / LED gn	13 / LED ye	Ground LED	--	--	--	--	
3SE5..4-1L....-1AD4	3SY3134	1 NO + 2 NC snap-action	2 LEDs	21	22	13 / LED gn	14 / LED ye	31	32	Ground LED	PE	--	
3SE5..4-1K....-1AD4	3SY3134	1 NO + 2 NC slow-action	2 LEDs	21	22	14 / LED gn	13 / LED ye	31	32	Ground LED	PE	--	
Connector sockets, 6-pole + PE													
3SE5..5-0.....-1AD0	3SY3131	1 NO + 1 NC	--	21	22	13	14	--	--	--	--	✓	
3SE5..5-0.....-1AD1	3SY3131	1 NO + 2 NC	--	21	22	13	14	31	32	--	--	✓	
3SE5..5-C....-1AF2	3SY3131	1 NO + 1 NC snap-action	2 LEDs	21	22	13 / LED gn	14 / LED ye	--	Ground LED	--	--	✓	
3SE5..5-B....-1AF2	3SY3131	1 NO + 1 NC slow-action	2 LEDs	21	22	14 / LED gn	13 / LED ye	--	Ground LED	--	--	✓	
3SE5..5-L....-1AD2	3SY3131	2 NC snap-action	2 LEDs	21	22	31	32	13 / LED gn	Ground LED	--	--	✓	
3SE5..5-K....-1AD2	3SY3131	2 NC slow-action	2 LEDs	21	22	31	32	14 / LED gn	Ground LED	--	--	✓	

gn Green
ye Yellow

✓ Connected
-- Not available

SIRIUS 3SE5 Mechanical Position Switches






3SE5, Plastic Enclosures

Enclosure width 31 mm acc. to EN 50047

Selection and ordering data

Complete units for installation in control cabinets

2 contacts · Degree of protection IP40 · Cable entry by means of a locking plug with Ø 6 mm

Version	Contacts	LEDs	SD	Complete units	PU (UNIT, SET, M)	PS*	PG
				Article No.	Price per PU		
Complete units¹⁾ · Enclosure width 31 mm							
	Control cabinet type, IP40, rounded plungers, type B, acc. to EN 50047 Flat cover Snap-action contacts, integrated ²⁾		1 NO + 1 NC --	⊕ 5	3SE5232-0HC05-1AB1	1	1 unit 41K
3SE5232-0HC05-1AB1							
	Flat cover With mounting plate and screws for attachment profile Snap-action contacts, integrated ²⁾		1 NO + 1 NC --	⊕ 5	3SE5232-0HC05-1AB2	1	1 unit 41K
3SE5232-0HC05-1AB2							
	Standard cover Snap-action contacts, integrated ²⁾		1 NO + 1 NC --	⊕ 5	3SE5232-0HC05-1AB3	1	1 unit 41K
3SE5232-0HC05-1AB3							
	Standard cover With mounting plate and screws for attachment profile Snap-action contacts, integrated ²⁾		1 NO + 1 NC --	⊕ 5	3SE5232-0HC05-1AB4	1	1 unit 41K
3SE5232-0HC05-1AB4							
Accessories							
	Mounting plate For 3SE523. position switches and 3SE521. position switches with a width of 31 mm		--	--	5	3SX5100-1A	1 1 unit 41K
3SX5100-1A							

⊕ Positive opening according to IEC 60947-5-1, Appendix K.

¹⁾ The control cabinet types are not basic switches for the modular system.²⁾ Subsequent replacement of contact blocks is not possible.