

# CONNECTORS

- IEC 60309-1/2, EN 60309, VDE 0623
- Protection degree IP44/ IP67

## Connector TE with Multi-Grip

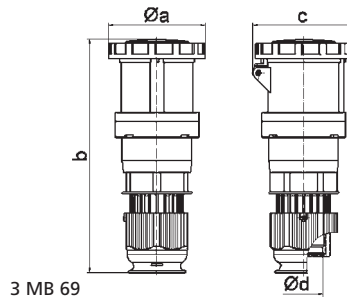
- Screw terminals
- Box terminals
- High-temperature-resistant contact carrier
- Kontex contact
- Nickel plated contacts
- Special gland, simultaneous cable gland and seal
- ç, self locking
- Protection degree IP67

Ampere	Poles	110V 50-60 Hz			230V 50-60 Hz			400V 50-60 Hz			500V 50-60 Hz			100-300Hz > 50V			301-500Hz > 50V			Qty	each
		2P+E	3P+E	3P+N+E	3pol	4pol	5pol	3pol	4pol	5pol	3pol	4pol	5pol	3pol	4pol	5pol	3pol	4pol	5pol		
125	3																		5	1130	
125	4																		5	1230	
125	5																		5	855	

In the case of connectors with PILOT, please add -P to the end of the order number.



Fig.: Type 3199



3 MB 69

Ampere	125	125	125
Poles	3	4	5
a ø	125.0	125.0	125.0
b	300.0	300.0	300.0
c	128.0	128.0	128.0
d ø	50.0	50.0	50.0
Cond. mm² min	16	16	16
Cond. mm² max	50	50	50

## Connector Quick-Connect lockable

- Screwless terminals
- Lockable with matching connector
- Screwless enclosure connection, self locking
- Special gland, simultaneous cable gland and seal
- Protection degree IP44

Accessories: Lock set, see page 102/5

Ampere	Poles	110V 50-60 Hz			230V 50-60 Hz			400V 50-60 Hz			500V 50-60 Hz			100-300Hz > 50V			301-500Hz > 50V			Qty	each
		2P+E	3P+E	3P+N+E	3pol	4pol	5pol	3pol	4pol	5pol	3pol	4pol	5pol	3pol	4pol	5pol	3pol	4pol	5pol		
16	5																			10	
32	5																			10	

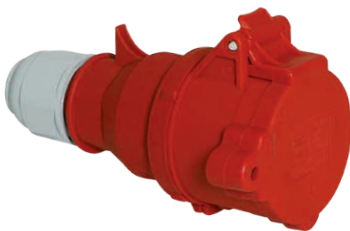
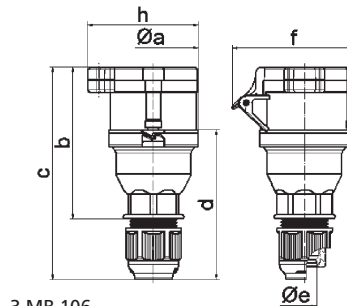


Fig.: Type 310635



3 MB 106

Ampere	16	32
Poles	5	5
a ø	66.0	74.5
b	113.5	134.5
c	154.0	187.0
d	105.5	128.5
e ø	18.0	23.0
f	86.0	97.0
h	82.0	100.0
Cond. mm² min	1	2.5
Cond. mm² max	2.5	6

## Hanging Connector TE-Plus with Multi-Grip

- Screwless terminals
- High-temperature-resistant contact carrier
- Kontex contact
- Nickel plated contacts
- Special gland, simultaneous cable gland and seal
- Protection degree IP44

Ampere	Poles	110V 50-60 Hz			230V 50-60 Hz			400V 50-60 Hz			500V 50-60 Hz			100-300Hz > 50V			301-500Hz > 50V			Qty	each
		2P+E	3P+E	3P+N+E	3pol	4pol	5pol	3pol	4pol	5pol	3pol	4pol	5pol	3pol	4pol	5pol	3pol	4pol	5pol		
16	3																			10	190
16	4																			10	220
16	5																			10	260
32	3																			10	
32	4																			10	
32	5																			10	425

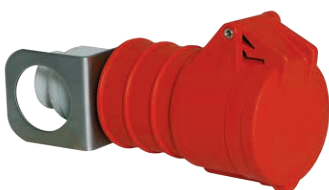
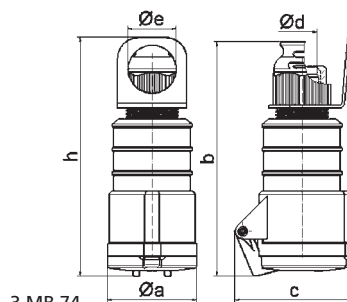


Fig.: Type 3214



3 MB 74

Ampere	16	16	16	32	32	32
Poles	3	4	5	3	4	5
a ø	51.0	58.0	65.0	66.5	66.5	72.0
b	156.0	162.0	168.0	195.0	195.0	198.0
c	72.0	78.0	86.0	89.0	89.0	99.0
d ø	18.0	18.0	21.0	23.0	23.0	27.0
e ø	39.5	39.5	35.5	48.5	48.5	44.5
h	167.5	173.5	171.5	208.0	208.0	205.0
Cond. mm² min	1	1	1	2.5	2.5	2.5
Cond. mm² max	2.5	2.5	2.5	6	6	6