

CONNECTORS

- IEC 60309-1/2, EN 60309, VDE 0623
- Protection degree IP44

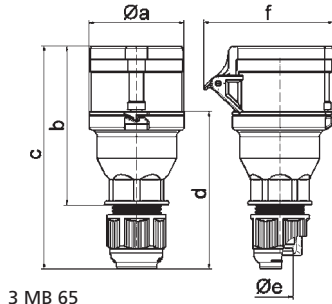
Connector Quick-Connect with Multi-Grip

- Screwless terminals
- Screwless enclosure connection, self locking
- Kontex contact
- Special gland, simultaneous cable gland and seal
- Protection degree IP44

Ampere	Poles	110V 50-60 Hz		230V 50-60 Hz		400V 50-60 Hz		500V 50-60 Hz		100-300Hz > 50V		301-500Hz > 50V		Qty	each
		3pol 4pol 5pol 4h 4h 4h	3pol 4pol 5pol 6h 9h 9h	3pol 4pol 5pol 9h 6h 6h	3pol 4pol 5pol 7h 7h 7h	3pol 4pol 5pol 10h 10h 10h	3pol 4pol 5pol 2h 2h 2h								
16	3	3125	3126										10	120	
16	4		3129	3130									10	160	
16	5		3135	3136									10	165	
32	3	3137	3138										10	240	
32	4		3141	3142									10	260	
32	5		3147	3148									10	300	



Fig.: Type 3148



3 MB 65

Ampere Poles	16 3	16 4	16 5	32 3	32 4	32 5
a ø	53.0	60.0	66.0	74.5	74.5	74.5
b	100.5	112.5	113.5	133.5	133.5	134.5
c	141.0	153.0	154.0	186.0	186.0	187.0
d	97.5	104.5	105.5	127.5	127.5	128.5
e ø	18.0	18.0	18.0	23.0	23.0	23.0
f	76.0	79.0	86.0	92.0	92.0	97.0
Cond. mm² min	1	1	1	2.5	2.5	2.5
Cond. mm² max	2.5	2.5	2.5	6	6	6

3

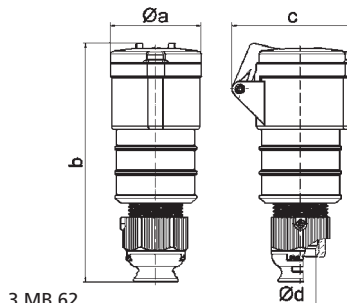
Connector TE-Plus with Multi-Grip

- Screwless terminals
- High-temperature-resistant contact carrier
- Kontex contact
- Nickel plated contacts
- Special gland, simultaneous cable gland and seal
- Protection degree IP44

Ampere	Poles	110V 50-60 Hz		230V 50-60 Hz		400V 50-60 Hz		500V 50-60 Hz		100-300Hz > 50V		301-500Hz > 50V		Qty	each
		3pol 4pol 5pol 4h 4h 4h	3pol 4pol 5pol 6h 9h 9h	3pol 4pol 5pol 9h 6h 6h	3pol 4pol 5pol 7h 7h 7h	3pol 4pol 5pol 10h 10h 10h	3pol 4pol 5pol 2h 2h 2h								
16	3	31659	31533	31665	31955	31956	31957	10	145						
16	4	31681	31661	31534	31959	31669	31671	10	170						
16	5	31962	31662	31536	31964	31965	31966	10	200						
32	3	31967	31968	31666	31970	31971	31972	10	265						
32	4	31973	31974	31975	31976	31670	31672	10	285						
32	5	31979	31664	31981	31884	31983	31984	10	340						



Fig.: Type 31981



3 MB 62

Ampere Poles	16 3	16 4	16 5	32 3	32 4	32 5
a ø	51.0	58.0	65.0	66.5	66.5	72.0
b	156.0	162.0	168.0	195.0	195.0	198.0
c	72.0	78.0	86.0	89.0	89.0	99.0
d ø	18.0	18.0	21.0	23.0	23.0	27.0
Cond. mm² min	1	1	1	2.5	2.5	2.5
Cond. mm² max	2.5	2.5	2.5	6	6	6

Connector TE with Multi-Grip

- High-temperature-resistant contact carrier
- Kontex contact
- Nickel plated contacts
- Special gland, simultaneous cable gland and seal
- Protection degree IP44

Ampere	Poles	110V 50-60 Hz		230V 50-60 Hz		400V 50-60 Hz		500V 50-60 Hz		100-300Hz > 50V		301-500Hz > 50V		Qty	each
		3pol 4pol 5pol 4h 4h 4h	3pol 4pol 5pol 6h 9h 9h	3pol 4pol 5pol 9h 6h 6h	3pol 4pol 5pol 7h 7h 7h	3pol 4pol 5pol 10h 10h 10h	3pol 4pol 5pol 2h 2h 2h								
63	4			310490	310492								5	740	
63	5			310494									5	785	
Screw terminal:															
63	3	3108	3104	3109	31723	31606	31858	5	590						
63	4	3149	3150	3151	3152	31085	31642	5	630						
63	5	3153	3154	3112	31086	31500	31257	5	670						

In the case of screw terminal connectors with PILOT, please add -P to the end of the order number.

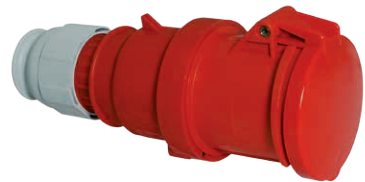
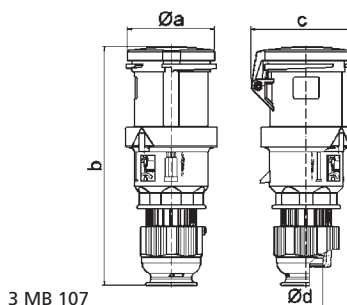


Fig.: Type 3112



3 MB 107

Ampere Poles	63 3	63 4	63 5
a ø	95.0	95.0	95.0
b	251.0	251.0	251.0
c	109.0	109.0	109.0
d ø	36.0	36.0	36.0
Cond. mm² min	6	6	6
Cond. mm² max	16	16	16